

# TEMPO

Elegant, comfortable, personal. This is TEMPO, a collection of waiting modules that can be integrated into modern spaces thanks to its lower structure and armrests in chrome-plated or black-painted steel. Tempo, with its modular system, permits customised configurations, creating reception areas with unlimited possibilities, highly adapted to the spaces available.



**MODULES OF 1, 2  
AND 3 PLACES AND  
PUFF**

**CHROME-PLATED  
OR BLACK STEEL  
LEGS AND ARMS**

**MADE IN THE  
EUROPEAN UNION**



# TEMPO

## MODULES OF 1, 2 AND 3 PLACES + PUFF

SKU: DIMOLE-402-M0901  
SKU: DIMOLE-402-M0902

### 01.

#### Backrest

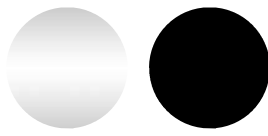
In flexible high density polyurethane foam (soft) of 30 kg/m<sup>3</sup> (EN ISO 845 / BS 5852/10).

### 02.

#### Armrests (optional)

Fixed with rectangular profile in steel sheet 50 x 5 mm, chrome plated with a thickness of 12 to 15 microns or painted in black epoxy (RAL 9005). For the 1, 2 and 3-seater modules, it is possible to remove the armrests, or to choose to place them on either the left or right side, and to add as many modules as required.

With optional upholstered armrests.



Chrome

RAL 9005



### 03.

#### Legs

Rectangular steel profile 50 x 10 mm, chrome plated from 12 to 15 microns thick or painted in black epoxy (RAL 9005). Non-slip nylon gliders. The height of the legs allows the passage of a cleaning robot.



### 04.

#### Structure

Interior made of Galician pine wood (MQ cert. 07-175), with 60 mm elastic reinforcement straps.



### 01.

#### Backrest

In flexible high density polyurethane foam (soft) of 30 kg/m<sup>3</sup> (EN ISO 845 / BS 5852/10).

### 02.

#### Structure

Interior made of Galician pine wood (MQ cert. 07-175), with 60 mm elastic reinforcement straps.

### 03.

#### Legs

Rectangular steel profile 50 x 10 mm, chrome plated from 12 to 15 microns thick or painted in black epoxy (RAL 9005). Non-slip nylon gliders. The height of the legs allows the passage of a cleaning robot.

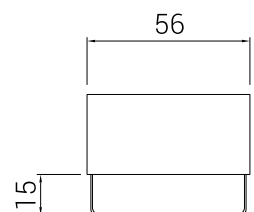
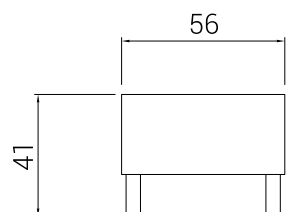
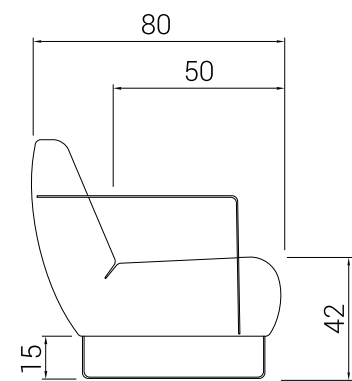
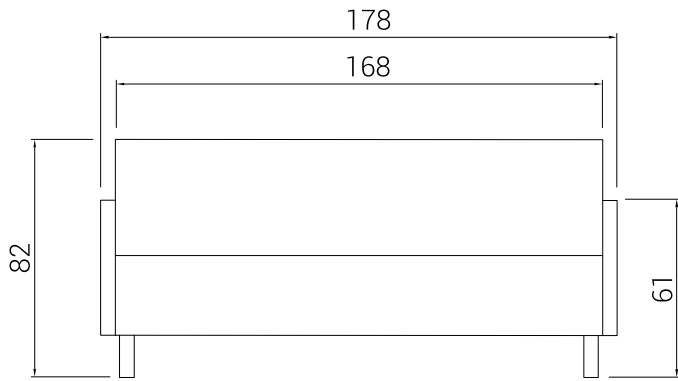
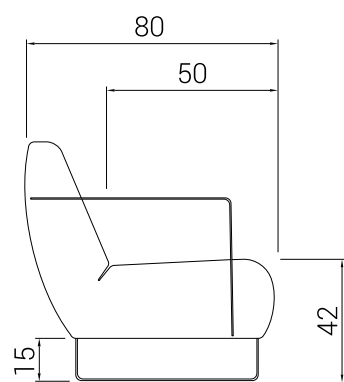
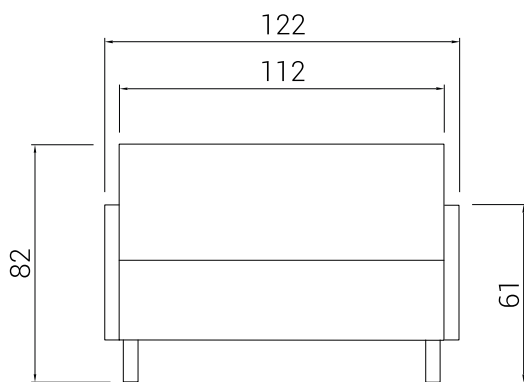
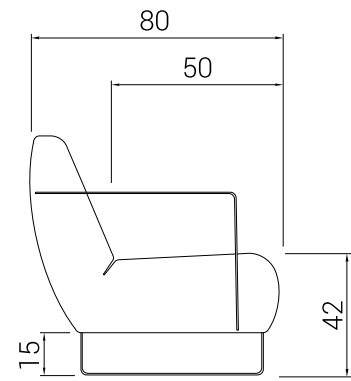
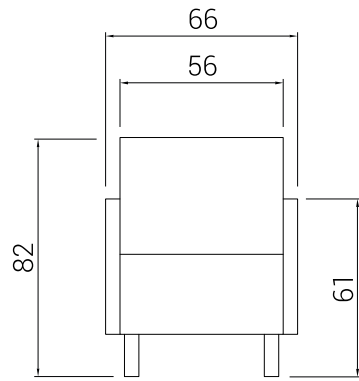


Chrome

RAL 9005



# TEMPO DIMENSIONS



01

BALI (Go1)



02

POLYESTER (Go1)



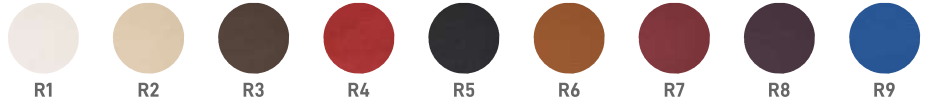
03

GOYA (Go1)



04

TOUCH LEATHER (Go1)



05

COMBI (Go1)



06

OCEAN (Go2)



07

ELASTIKA FR (Go2)



08

ORUGA (Go2)



09

NILO (Go2)



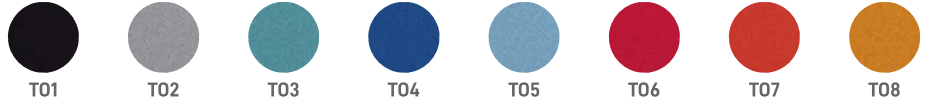
10

MADISON (Go2)



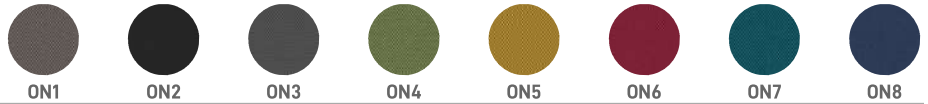
11

TONAL (Go2)



12

ONE (Go2)



13

VALENCIA (Go3)



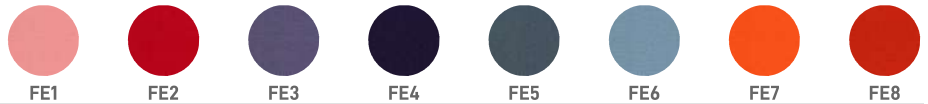
14

DEKORA (Go3)



15

FELICITY (Go3)



16

LEATHER (Go4)

