

SPERA

SWIVEL CHAIR,
CANTILEVER AND
BENCH

SINGLE SHELL SEAT
IN BEECH WOOD

MADE IN THE
EUROPEAN UNION

Spera, a design by Rafa Ortega. Shapes inspired by nature that evoke soft curves. Reencounter with the essential through wood. The Spera collection, composed of a swivel chair, a cantilever and a bench, is designed for spaces with a meticulous design, and can be adapted to any environment you can imagine.



01.

Monocoque seat

12 mm thick beech plywood (MQ cert. 07-175), laminated in light or dark oak with acrylic varnish or lacquered in white or black.

Beech inner panel (MQ cert. 07-175) 6 mm thick with flexible high density polyurethane foam (hard) 40 kg/m³ (EN ISO 845 / BS 5852/10) for seat and backrest.



01 / White



02 / Black



03 / Oak



04 / Wengue

02.

Armrests (optional)

Beech inner panel (MQ cert. 07-175) 12 mm thick with flexible high density polyurethane foam (hard) 40 kg/m³ (EN ISO 845 / BS 5852/10).



03.

Mechanisms

Balance

The balance mechanism, only available for monocoque models, allows the seat and backrest to move synchronously on the center of the seat, with a central locking system.

It has the following characteristics:

- Up to 7° of seat oscillation backwards and up to 4° forwards.
- Made of high quality polished aluminum.

Gas lift

The seat moves up and down by operating a lever on the bottom right of the seat.

04.

Gas column, bases and wheels

- Lifting using a class 3 black gas column (UNI 9084/02), tested for users weighing up to 120 kg.
- Polished aluminum base 70 cm diameter (ANSI-BIFMA X5.1-2011/7). This model comes with double Desmopan rubber wheels 65 mm diameter with chrome finish.
- The base connection bolt has a circular nylon ring to prevent noise when used on metal or aluminum bases.
- Optional: Anti-slip gliders in black nylon.



AITA CANTILEVER 4 RADIUS PYRAMIDAL BASE

01.

Monocoque seat

12 mm thick beech plywood (MQ cert. 07-175), laminated in light or dark oak with acrylic varnish or lacquered in white or black.

Beech inner panel (MQ cert. 07-175) 6 mm thick with flexible high density polyurethane foam (hard) 40 kg/m³ (EN ISO 845 / BS 5852/10) for seat and backrest.



01 / White



02 / Black



03 / Oak



04 / Wengue

02.

Armrests (optional)

Beech inner panel (MQ cert. 07-175) 12 mm thick with flexible high density polyurethane foam (hard) 40 kg/m³ (EN ISO 845 / BS 5852/10).



03.

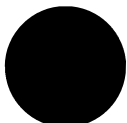
Swivel spring

- Swivel spring. Height not adjustable.

04.

Bases

4-radius pyramidal base, in black, graphite or white nylon, 67,5 cm diameter.



Black



Graphite



White

05.

Pads/Wheels

Option A: Anti-slip pads in black, graphite or white nylon, depending on the base.

Option B: 50 mm diameter double nylon wheels.



SPERA CANTILEVER 4 LEGS

01.

Monocoque seat

12 mm thick beech plywood (MQ cert. 07-175), laminated in light or dark oak with acrylic varnish or lacquered in white or black.

Beech inner panel (MQ cert. 07-175) 6 mm thick with flexible high density polyurethane foam (hard) 40 kg/m³ (EN ISO 845 / BS 5852/10) for seat and backrest.



01 / White



02 / Black



03 / Oak



04 / Wengue

02.

Armrests (optional)

Beech inner panel (MQ cert. 07-175) 12 mm thick with flexible high density polyurethane foam (hard) 40 kg/m³ (EN ISO 845 / BS 5852/10).



03.

Mechanisms

Balance

The balance mechanism, only available for monocoque models, allows the seat and backrest to move synchronously on the center of the seat, with a central locking system.

- Up to 7° of seat oscillation backwards and up to 4° forwards.
- Made of high quality polished aluminum.

Gas lift

The seat moves up and down by operating a lever on the bottom right of the seat.

Revolving system (EN 1335 3/01 / UNI 9084/02)

Revolving cylinder with automatic centering, 360° rotation and cushioning. Height not adjustable. This mechanism allows the user to rotate the chair while seated. As soon as the user stands up from the chair, the cylinder automatically returns to its original position. Specially designed to maintain order in meeting and waiting areas. Only available with non-slip nylon caps.



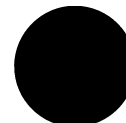
04.

Gas column and bases

- Lifting using a class 3 black gas column (UNI 9084/02), tested for users weighing up to 120 kg.
 - 4-legged polished aluminum base with a diameter of 69 cm. With non-slip nylon caps.
 - 4-legged aluminium base painted in black epoxy (RAL 9005) with a diameter of 69 cm. With non-slip nylon caps.
 - 4-legged aluminium base painted in white epoxy (RAL 9010) with a diameter of 69 cm. With non-slip nylon caps.
- The revolving system is accompanied by a white gas column.



Chrome



RAL 9005



RAL 9010



SPERA CANTILEVER X FRAME

01.

Monocoque seat

12 mm thick beech plywood (MQ cert. 07-175), laminated in light or dark oak with acrylic varnish or lacquered in white or black.

Beech inner panel (MQ cert. 07-175) 6 mm thick with flexible high density polyurethane foam (hard) 40 kg/m³ (EN ISO 845 / BS 5852/10) for seat and backrest.



01 / White



02 / Black



03 / Oak



04 / Wengue

02.

Armrests (optional)

Beech inner panel (MQ cert. 07-175) 12 mm thick with flexible high density polyurethane foam (hard) 40 kg/m³ (EN ISO 845 / BS 5852/10).



03.

X Structure

Steel tube of 16 mm diameter and 2 mm thickness, painted in black (RAL 9005) or white epoxy (RAL 9010). Gliders in non-slip nylon.



RAL 9005



RAL 9010



SPERA CANTILEVER 4 LEGS

01.

Monocoque seat

12 mm thick beech plywood (MQ cert. 07-175), laminated in light or dark oak with acrylic varnish or lacquered in white or black.

Beech inner panel (MQ cert. 07-175) 6 mm thick with flexible high density polyurethane foam (hard) 40 kg/m³ (EN ISO 845 / BS 5852/10) for seat and backrest.



01 / White



02 / Black



03 / Oak



04 / Wengue

02.

Armrests (optional)

Beech inner panel (MQ cert. 07-175) 12 mm thick with flexible high density polyurethane foam (hard) 40 kg/m³ (EN ISO 845 / BS 5852/10).



03.

Structure

Base of 25 mm diameter steel tube, painted in black (RAL 9005) or white epoxy (RAL 9010). Nylon anti-slip tops.



RAL 9005



RAL 9010



01.

Monocoque seat

12 mm thick beech plywood (MQ cert. 07-175), laminated in light or dark oak with acrylic varnish or lacquered in white or black.
Beech inner panel (MQ cert. 07-175) 6 mm thick with flexible high density polyurethane foam (hard) 40 kg/m³ (EN ISO 845 / BS 5852/10) for seat and backrest.



01 / White



02 / Black



03 / Oak



04 / Wengue

02.

Armrests (optional)

Beech inner panel (MQ cert. 07-175) 12 mm thick with flexible high density polyurethane foam (hard) 40 kg/m³ (EN ISO 845 / BS 5852/10).



03.

Structure

12 mm diameter round solid steel rod with 12 to 15 micron thick chrome plating, black (RAL 9005) or white (RAL 9010) epoxy paint. Nylon anti-slip tops.



Chrome



RAL 9005



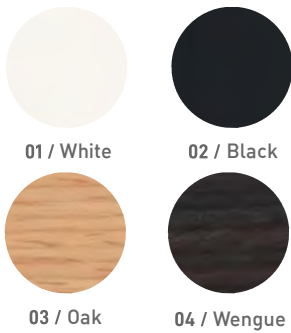
RAL 9010



01.

Monocoque seat

12 mm thick beech plywood (MQ cert. 07-175), laminated in light or dark oak with acrylic varnish or lacquered in white or black.
Beech inner panel (MQ cert. 07-175) 6 mm thick with flexible high density polyurethane foam (hard) 40 kg/m³ (EN ISO 845 / BS 5852/10) for seat and backrest.



02.

Structure

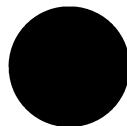
Available in 2, 3, 4 or 5 seats. For benches with three or more seats, it is possible to replace one of the seats with a side table in phenolic graphite cardboard with black edge, 40 x 40 cm and 10 mm thick. For other finishes, consult quantities.

V-bench:

In tubular steel with black epoxy paint (RAL 9005), in epoxy grey aluminium (RAL 9006) (ISO 2360 / ISO 2409 / ASTM D 2794 / ISO 9227 / ISO 6270), in polished aluminium or black nylon. Central tube 80 x 40 mm and 3 mm thick. Inverted V-feet. Graphite PVC prevents contact with the wall.

T-bench:

In tubular steel with black epoxy paint (RAL 9005) or epoxy grey aluminium (RAL 9006) (ISO 2360 / ISO 2409 / ASTM D 2794 / ISO 9227 / ISO 6270). Central tube 80 x 40 mm and 5 mm thick. Inverted T-feet 500 x 100 mm and 10 mm thick with the possibility of floor anchorage.



01.

USB Charger

An accessory for all of those who live the busy rhythm of the day and need to recharge their devices comfortably while they are sitting and waiting. Its cylindrical design allows it to be easily differentiated from the rectangular section beam to which it is attached. It has two USB inputs for charging mobile devices.



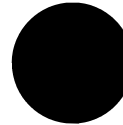
02.

Connection kit for T-bench

This accessory allows two or more benches to be connected with a T-leg. It makes it possible to create benches of any size, without limit. Available in black epoxy paint (RAL 9005) or aluminium grey epoxy paint (RAL 9006) (ISO 2360 / ISO 2409 / ASTM D 2794 / ISO 9227 / ISO 6270).



RAL 9006



RAL 9005



03.

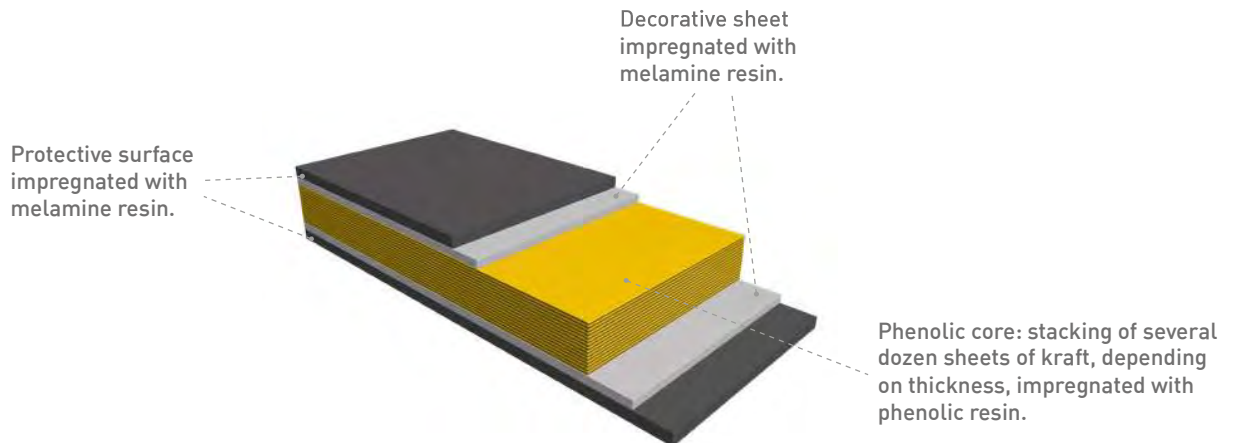
Phenolic

Characteristics of phenolic:

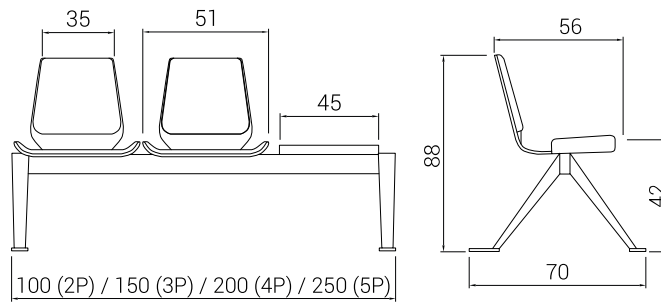
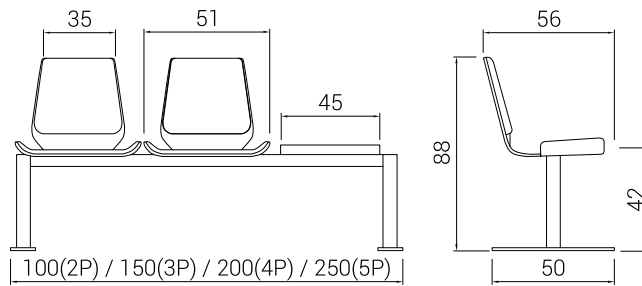
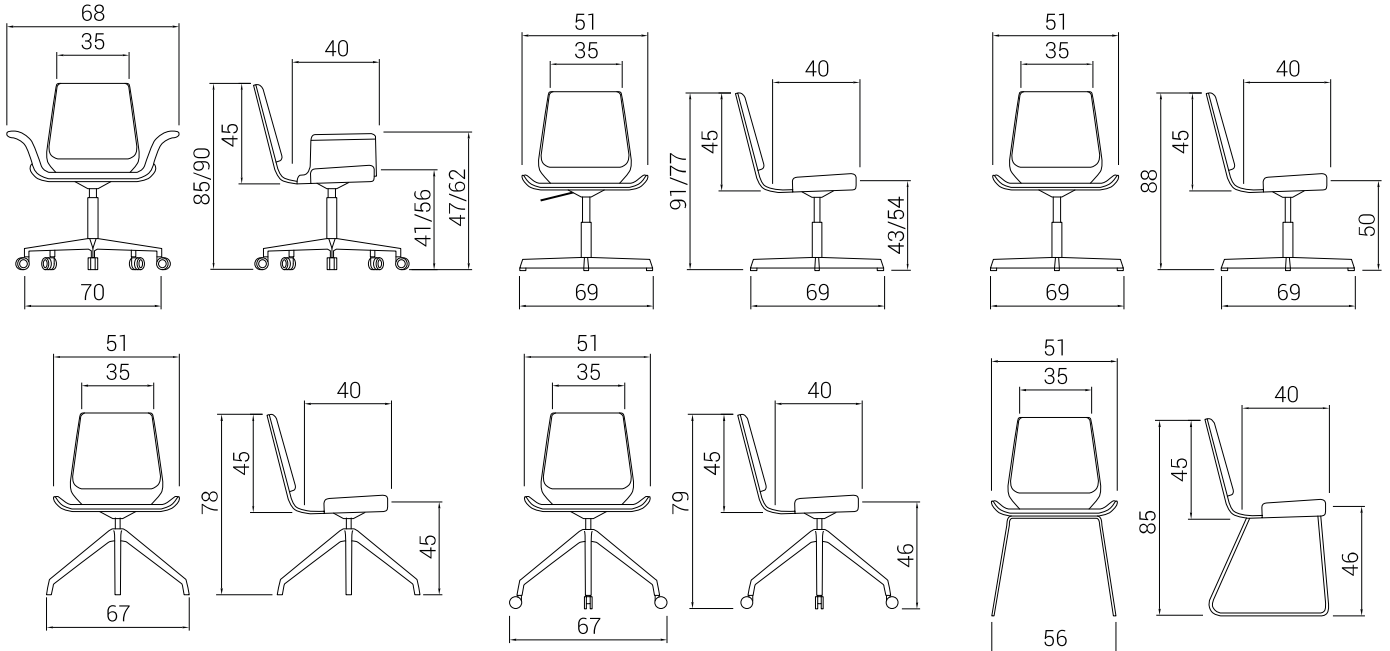
- Resistance to scratches.
- Resistance to heat.
- Easy to clean.
- Resistance to chemicals and domestic products.
- Resistance to cracks.
- Impact resistance.
- Resistance to abrasion
- Food hygiene.
- Resistance of colours to artificial light.

Phenolic test:

- ISO 4586 Thickness / Water resistance of decorative papers / Water absorption / Dimensional stability at high temperature / Vapour resistance.
- ISO 1183 Density.
- DIN 52612 Thermal conductivity.
- ASTM D 785 Hardness Rockuler.
- ISO 178 Resistance to flexion / Modulus of elasticity.
- ASTM D 256 Impact resistance.
- ASTM D 732 Shear strength.
- ISO 604 Compressive strength.



SPERA DIMENSIONS



01

BALI (Go1)



02

POLYESTER (Go1)



03

GOYA (Go1)



04

TOUCH LEATHER (Go1)



05

COMBI (Go1)



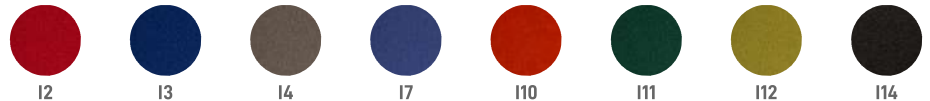
06

OCEAN (Go2)



07

ELASTIKA FR (Go2)



08

ORUGA (Go2)



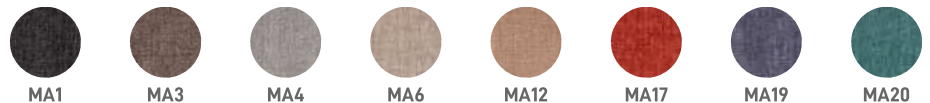
09

NILO (Go2)



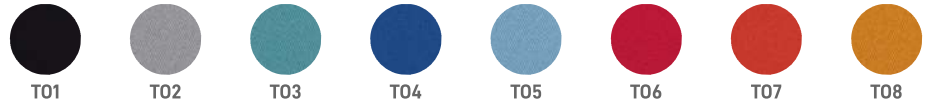
10

MADISON (Go2)



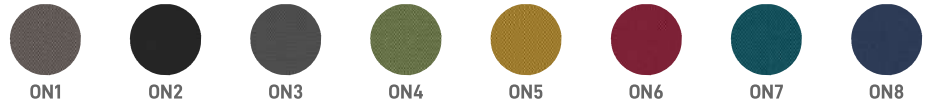
11

TONAL (Go2)



12

ONE (Go2)



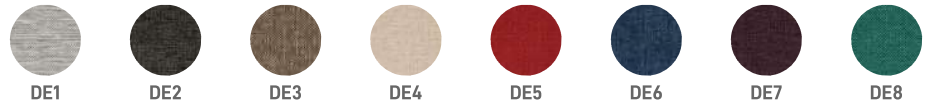
13

VALENCIA (Go3)



14

DEKORA (Go3)



15

FELICITY (Go3)



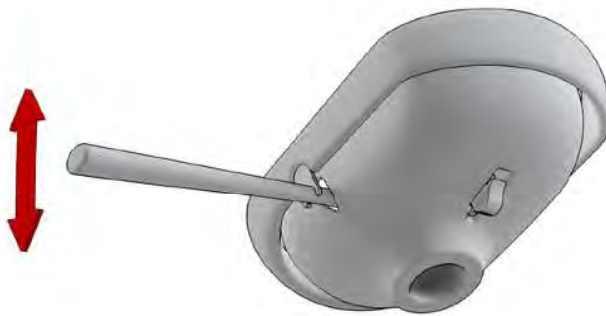
16

LEATHER (Go4)



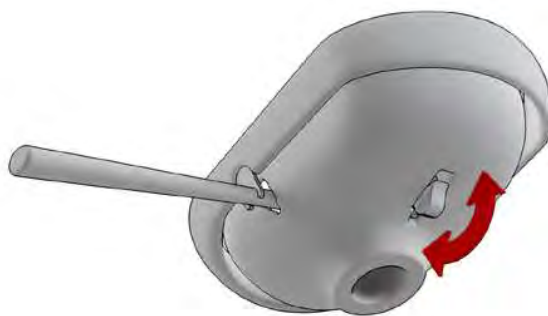
1. Mechanisms

BALANCE MECHANISM



GAS LIFT

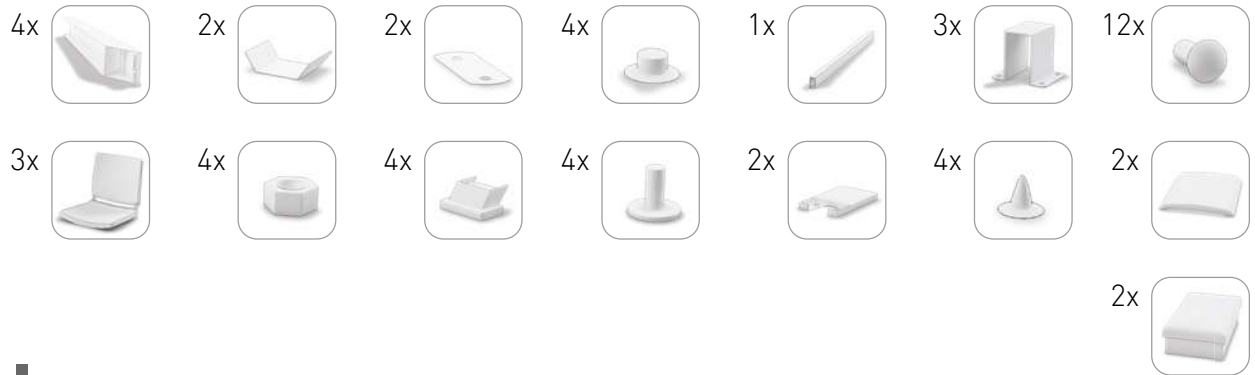
By lifting the handle we unlock the gas column. Without weight the chair lifts up. With the user seated, the chair goes down. Once the handle is released, the gas column is blocked again.



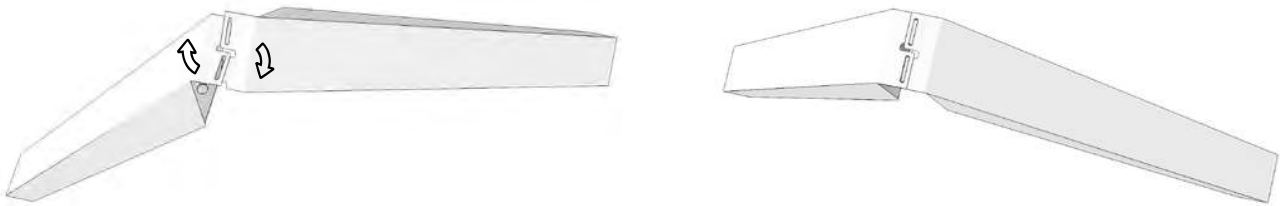
TILTING SYSTEM

By moving the button backwards, we release the mechanism that allows, when the user is seated, to change the angle of inclination of the monocoque seat. By moving the button forward, we lock the seat.

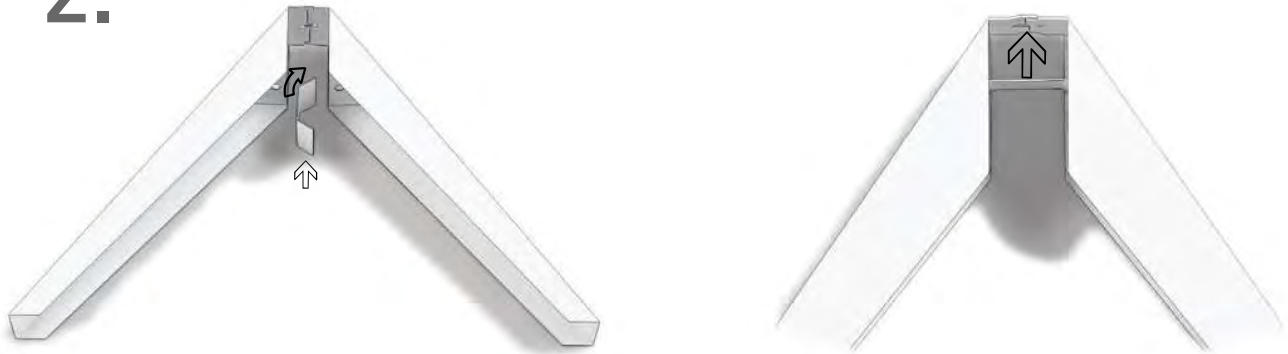
SPERA ASSEMBLY INSTRUCTIONS V BENCH



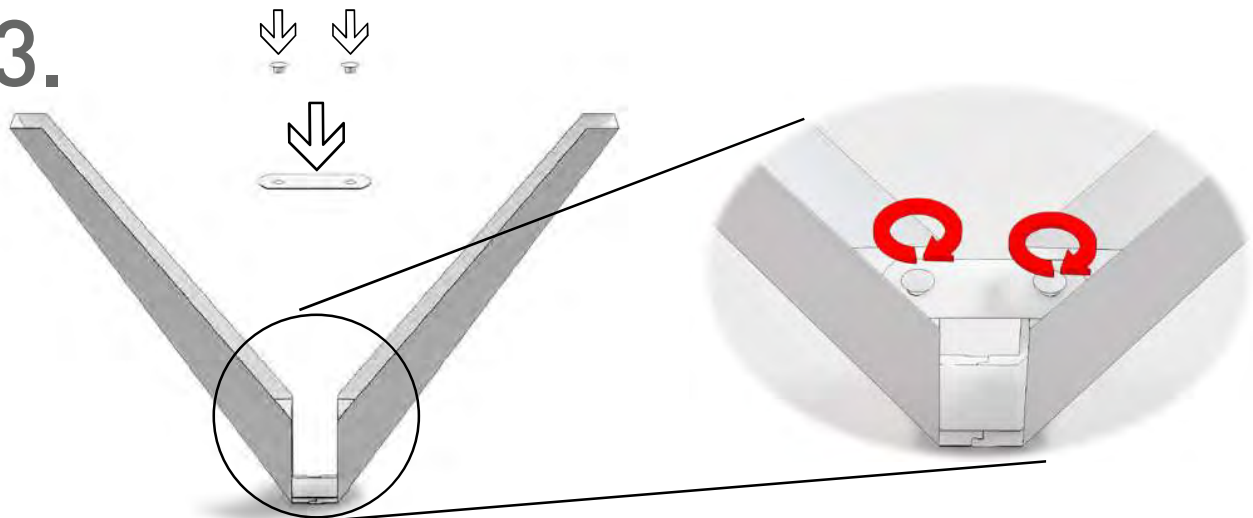
1.



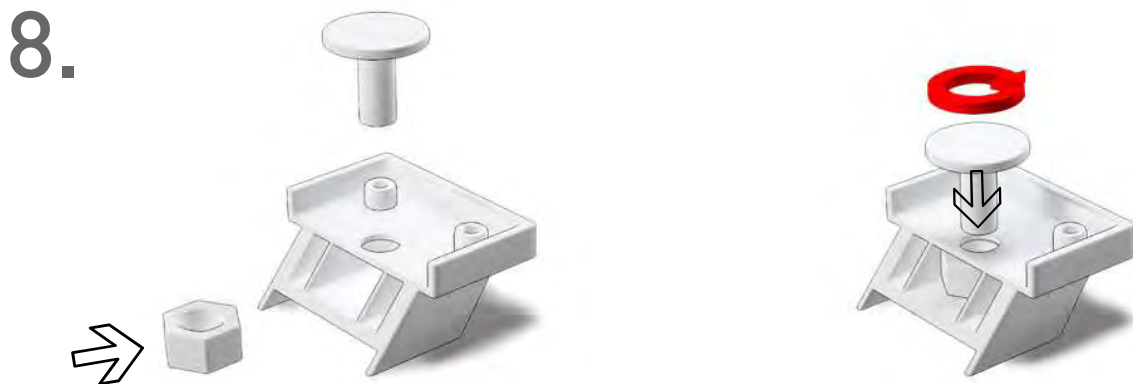
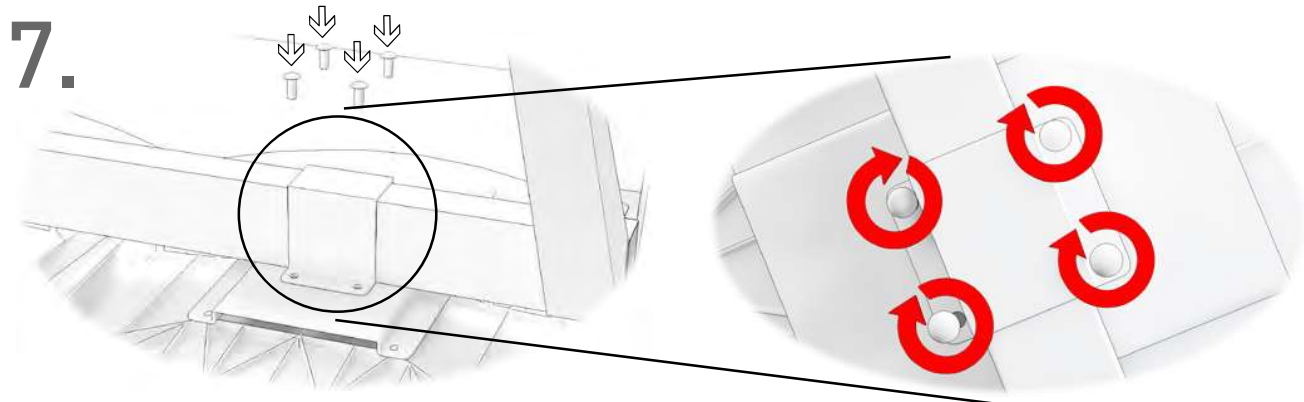
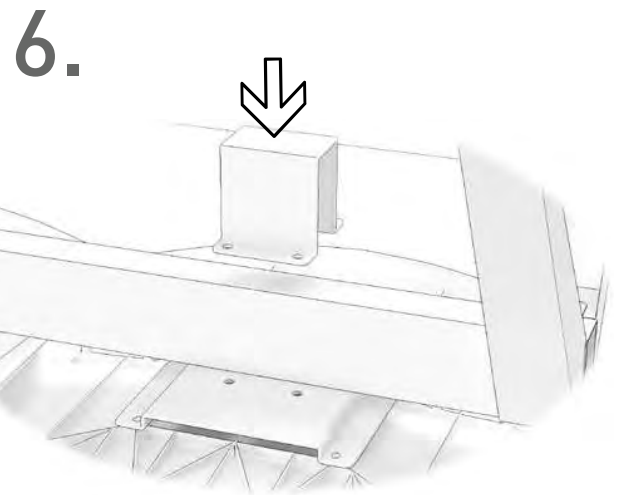
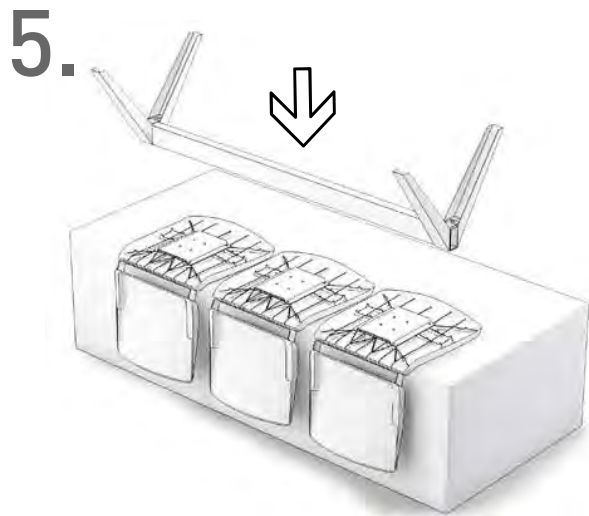
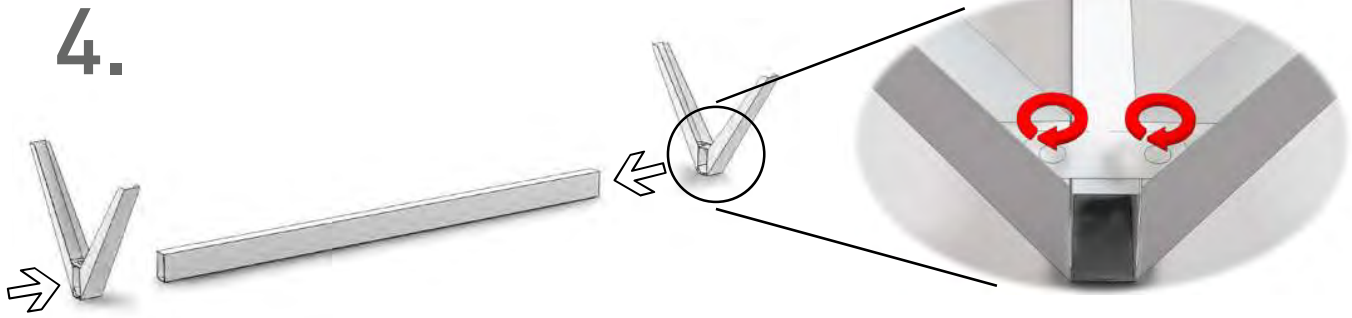
2.

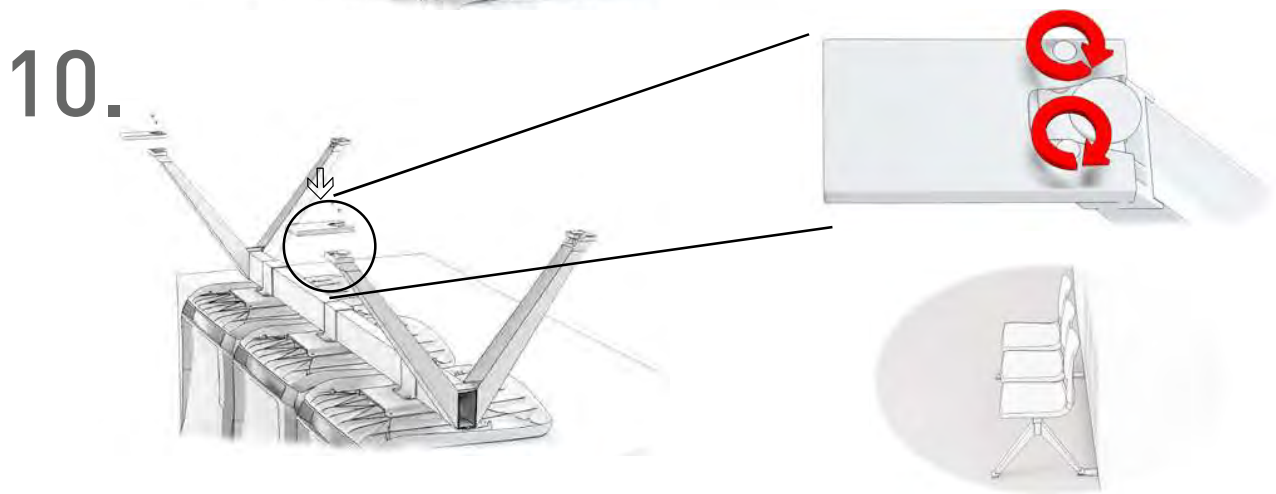
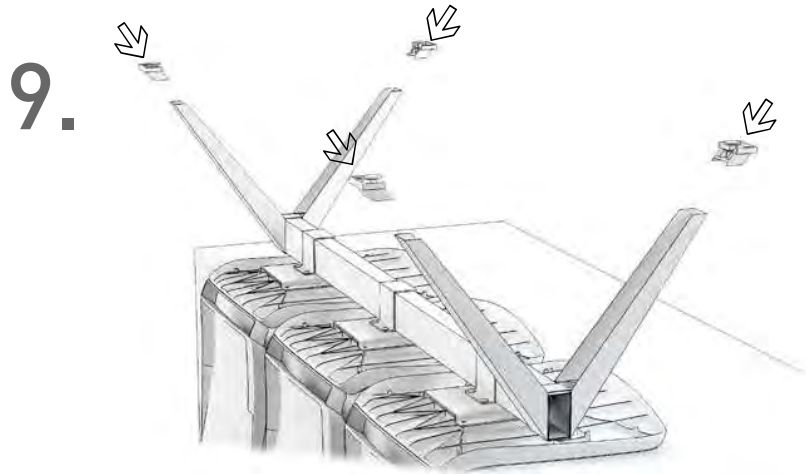


3.

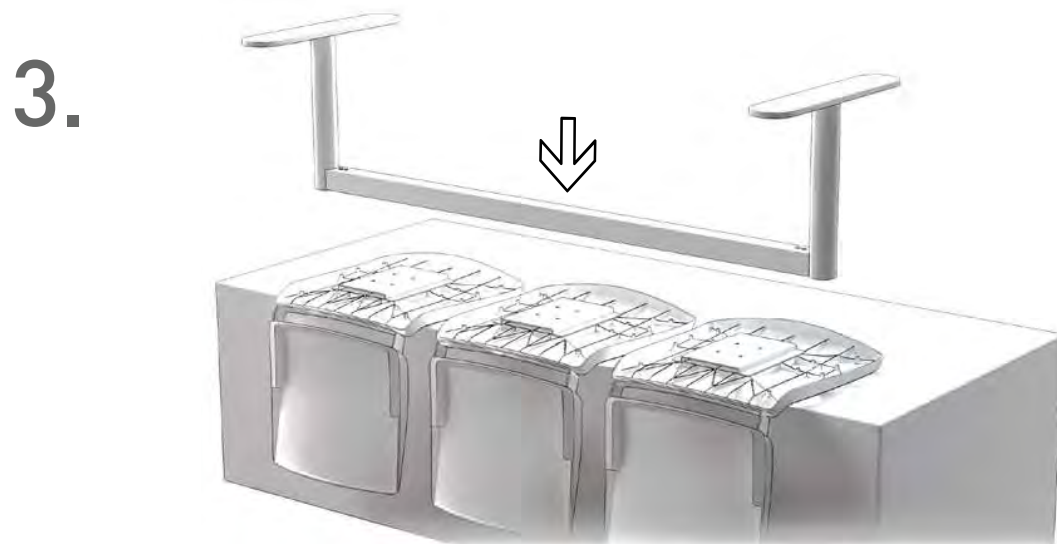
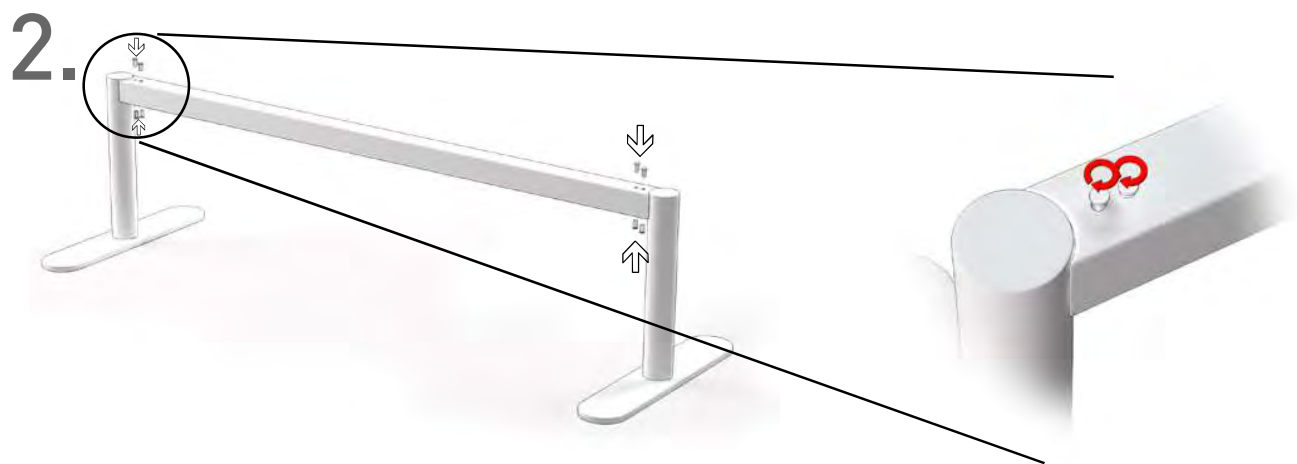
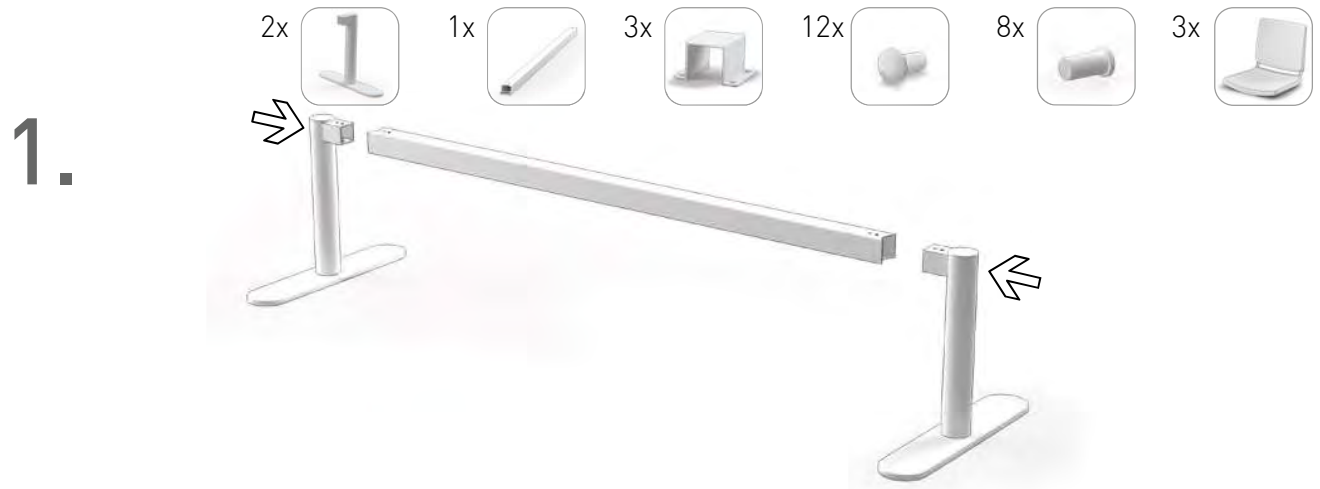


SPERA
ASSEMBLY INSTRUCTIONS V BENCH

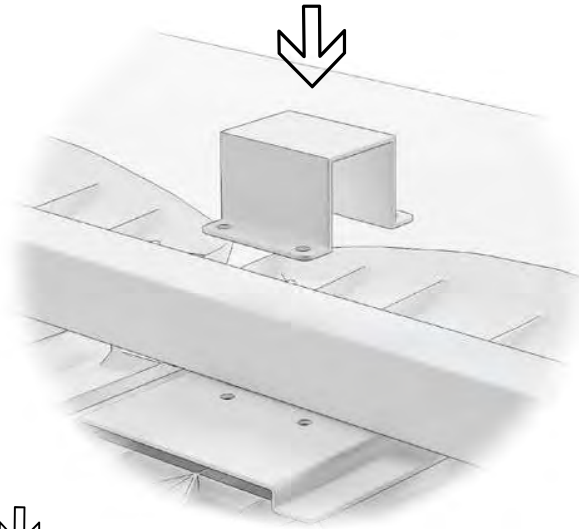




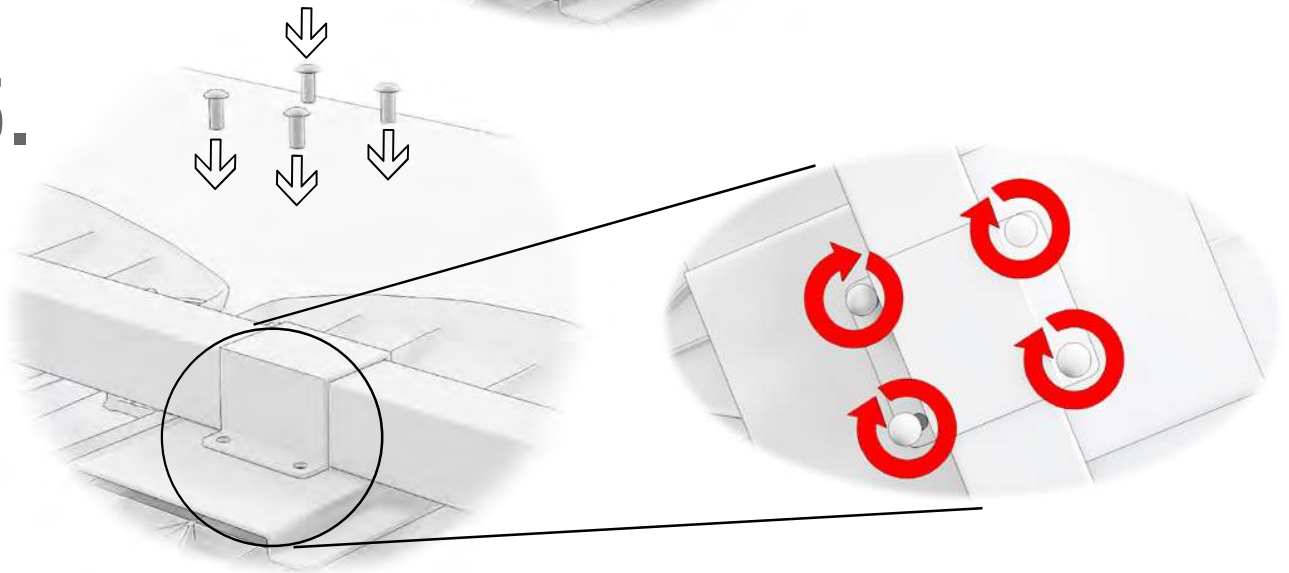
SPERA ASSEMBLY INSTRUCTIONS T BENCH



4.



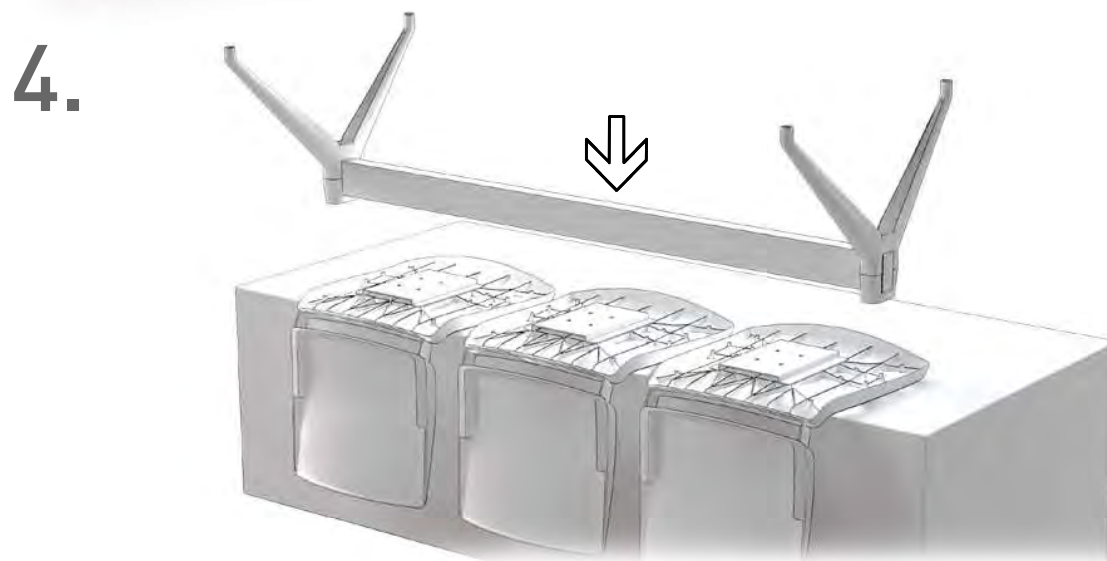
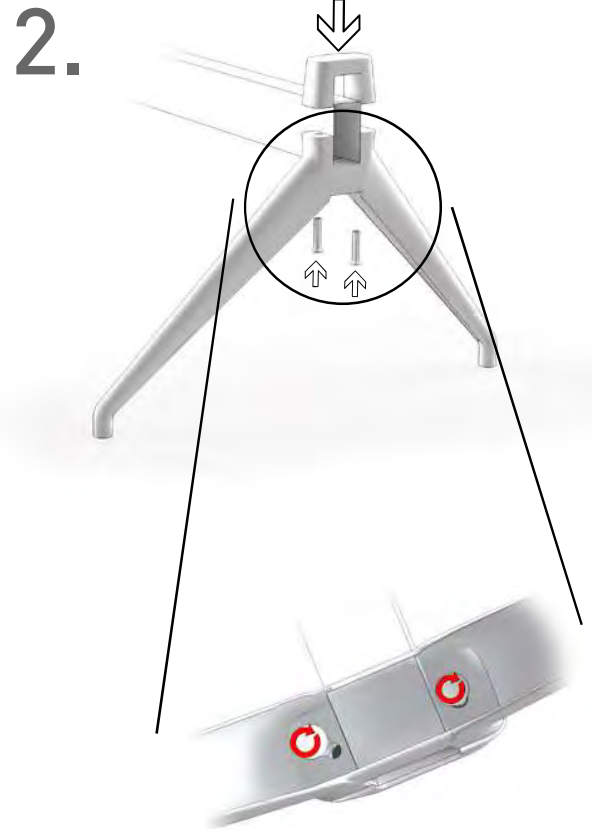
5.



6.

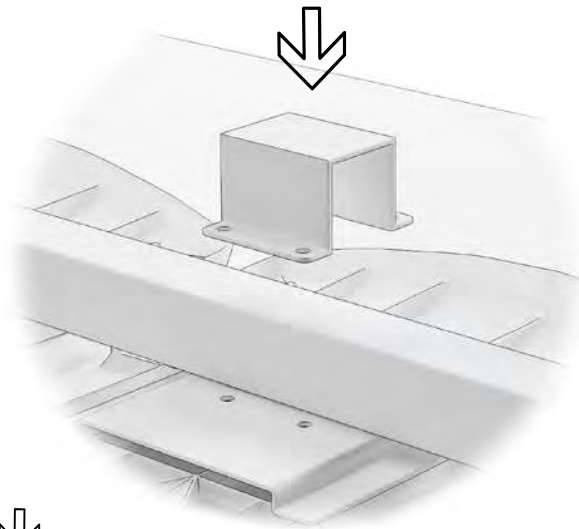


SPERA ASSEMBLY INSTRUCTIONS POLISHED ALUMINUM BENCH BASE

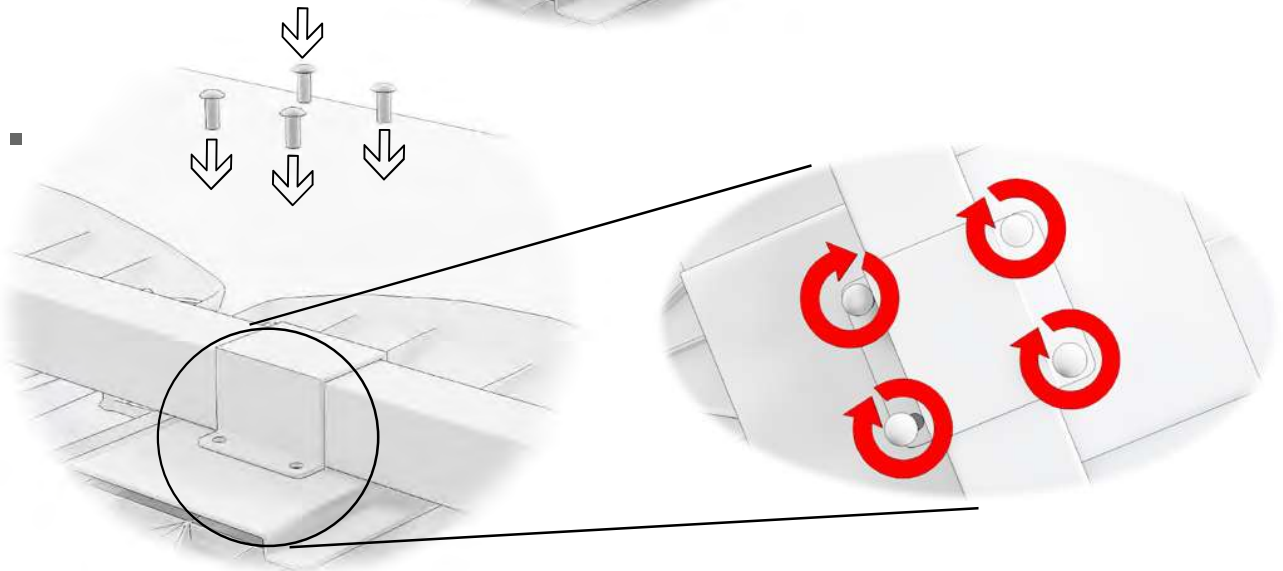


SPERA
ASSEMBLY INSTRUCTIONS
POLISHED ALUMINUM BENCH BASE

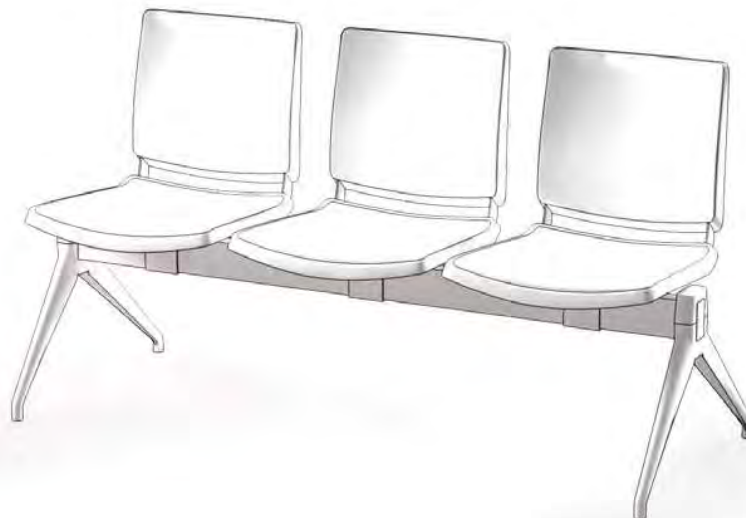
5.



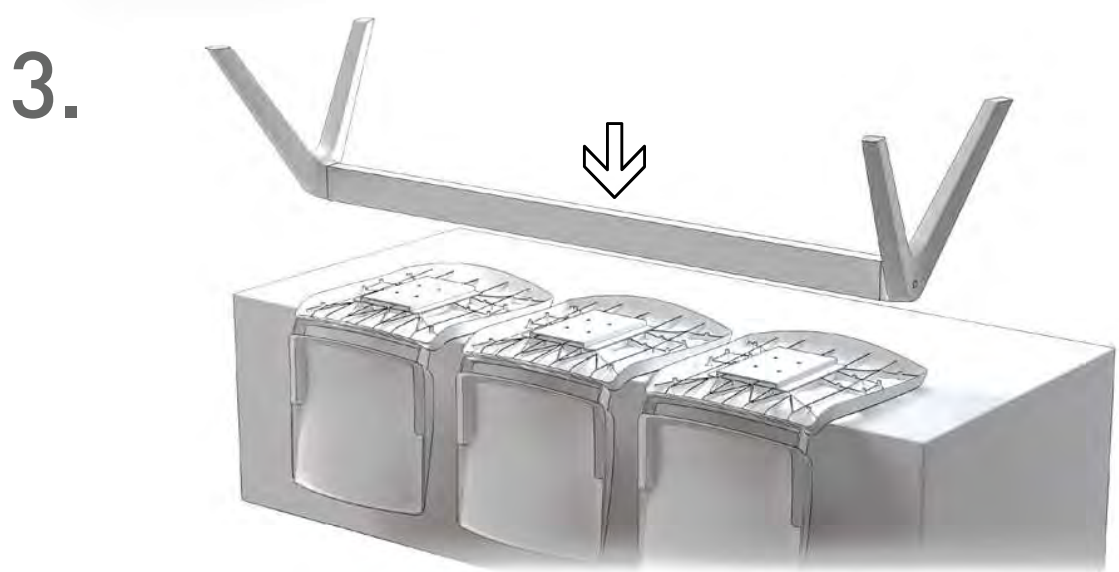
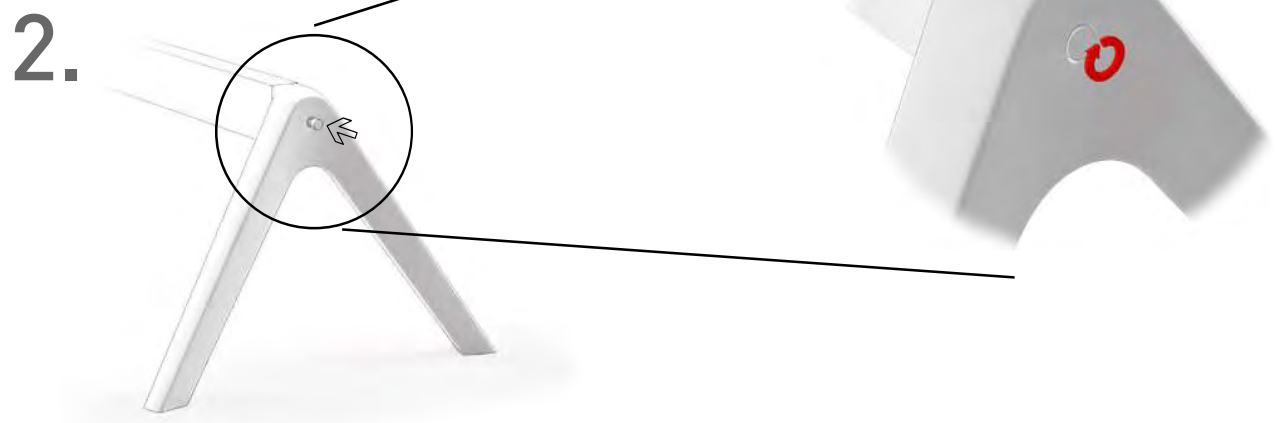
6.



7.

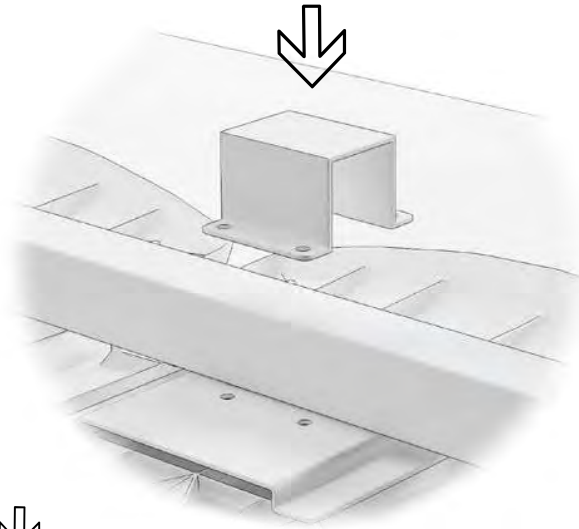


SPERA ASSEMBLY INSTRUCTIONS NYLON BEAM BASE

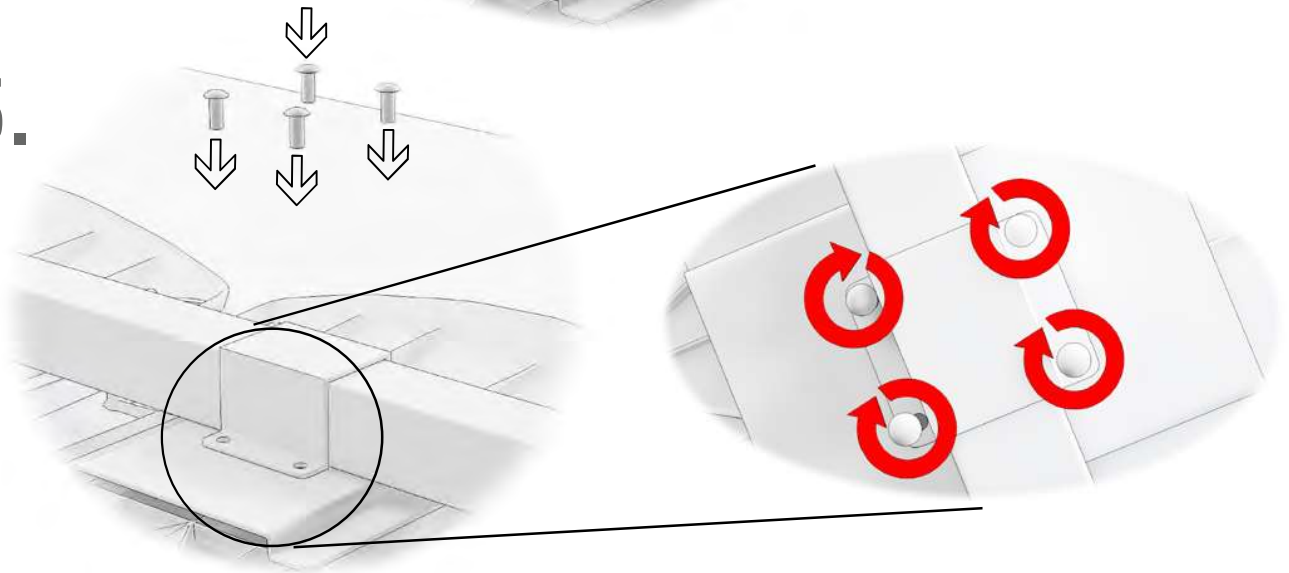


SPERA
ASSEMBLY INSTRUCTIONS
NYLON BEAM BASE

4.



5.



6.

