

RELOAD

SWIVEL CHAIR,
CANTILEVER AND
BENCH

UNION KIT AND
CHAIR TROLLEY

MADE IN THE
EUROPEAN UNION

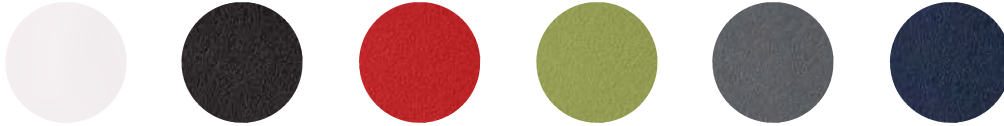
Designed by Jeremiah Ferrarese and Paolo Scagnellato, Reload is the evolution of the traditional conference and waiting chair. It features a wide variety of highly functional modular components that interact with each other. It is undoubtedly a technological and aesthetic success, adapted to modern use. The 4-leg model is stackable up to 15 units. Optionally available with a cart for stacking and transportation, with a maximum of 18 units.

EN
16139
2013



01.

Plastic backrest: Injected polypropylene plastic, 100% recyclable. Optional fireproof treatment (UNE 23727/90 / UNE 23721/90 / UNE 23724).



01 / White 02 / Black 18 / Red 20 / Green 22 / Grey 27 / Sea blue

Upholstered backrest: Covered with high density flexible polyurethane foam (hard) of 40 kg/m³ (EN ISO 845 / BS 5852/10).



01 / White 02 / Black

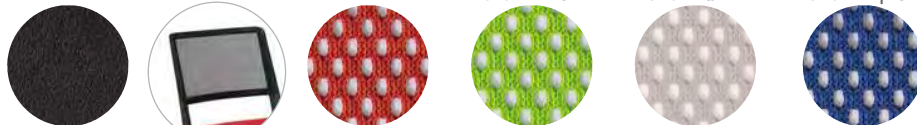
Mesh backrest: Black injected polypropylene structure, 100% recyclable.

Double acrylic nylon mesh backrest, with the following characteristics:

Fabric weight 285 g/m²
Thickness 0.7 mm
Warp tensile strength 107 kg
Tensile strength of 135 kg
Warp thread density 8.6
Weft thread density 9.5



01 / White 02 / Black 09 / Purple



02 / Black 18 / Red 20 / Green 22 / Grey 27 / Sea blue



02.

Seat

Injected polypropylene, 100% recyclable. Optional fireproof treatment (UNE 23727/90 / UNE 23721/90 / UNE 23724).

Optional: Covered with high density flexible polyurethane foam (hard) of 40 kg/m³ (EN ISO 845 / BS 5852/10).



03.

Armrests (optional)

Polished aluminum or aluminum painted in black epoxy (RAL 9005). Black or white nylon armrests. The armrest has the particularity to swivel on its axis, to fold to the left or to the right, which allows to change the distance between the armrests of 8 cm, increasing the comfort for the different types of users.



04.

Gas lift

The seat moves up and down by operating a lever on the bottom right of the seat.



05.

Gas column, bases and wheels

- Lifting using a class 3 black gas column (UNI 9084/02), tested for users weighing up to 120 kg.
- Polished aluminum base 65 cm diameter. This model comes with desmopan double rubberized 50 mm diameter wheels with chromed cover.
- Black nylon base of 65 cm diameter. This model comes with double Desmopan rubberized nylon wheels of 65 mm diameter.
- The base connection bolt has a circular nylon ring to prevent noise when used on metal or aluminum bases.
- Optional: Anti-slip gliders in black nylon.



RELOAD 4-LEG CHAIR

01.

Plastic backrest: Injected polypropylene plastic, 100% recyclable. Optional fireproof treatment (UNE 23727/90 / UNE 23721/90 / UNE 23724).



01 / White



02 / Black



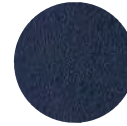
18 / Red



20 / Green



22 / Grey



27 / Sea blue

Upholstered backrest: Covered with high density flexible polyurethane foam (hard) of 40 kg/m³ (EN ISO 845 / BS 5852/10).



01 / White



02 / Black

Mesh backrest: Black injected polypropylene structure, 100% recyclable.

Double acrylic nylon mesh backrest, with the following characteristics:

Fabric weight 285 g/m²

Thickness 0.7 mm

Warp tensile strength 107 kg

Tensile strength of 135 kg

Warp thread density 8.6

Weft thread density 9.5



02 / Black



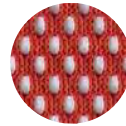
01 / White



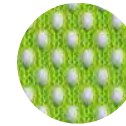
02 / Black



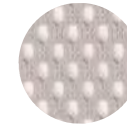
09 / Purple



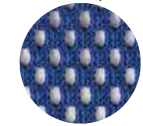
18 / Red



20 / Green



22 / Grey



27 / Sea blue

02.

Seat

Injected polypropylene, 100% recyclable.

Optional fireproof treatment (UNE 23727/90 / UNE 23721/90 / UNE 23724).

Optional: Covered with high density flexible polyurethane foam (hard) of 40 kg/m³ (EN ISO 845 / BS 5852/10).



03.

Armrests (optional)

Polished aluminum or aluminum painted in black epoxy (RAL 9005). Black or white nylon armrests. The armrest has the particularity to swivel on its axis, to fold to the left or to the right, which allows to change the distance between the armrests of 8 cm, increasing the comfort for the different types of users.



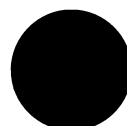
04.

Legs

26 mm diameter open steel tube, chrome plated or black epoxy (RAL 9005) or grey aluminized (RAL 9006) (ISO 2360 / ISO 2409 / ASTM D 2794 / ISO 9227 / ISO 6270). Nylon anti-slip tops. Designed so that legs do not touch each other when stacked.



Chrome



RAL 9005



RAL 9006



RELOAD 4-LEG CHAIR (ACCESSORIES)



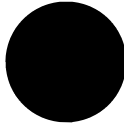
01.

Tablet

Foldable anti-panic writing tablet, with base and structure in polished aluminum or black epoxy aluminum (RAL 9005). Shelf in black ABS plastic. Can be stacked up to 15 units. Not stackable with the bottom grid mounted.



Polished aluminium

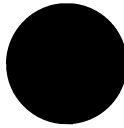


RAL 9005

02.

Bottom grid

Grid in steel with black epoxy paint finish (RAL 9005). No tools required for disassembly.



RAL 9005

03.

Connection kit for chairs without armrests

The model without armrests has a side cap that allows two chairs to be connected. Stability when stacking is also improved by an integrated guide.



04.

Connection kit for chairs with armrests

For the model with armrests, a special connecting device is used, very solid and with a telescopic movement that allows to adjust the separation between the chairs, being able to give space to the chairs with writing table.



05.

Stacking trolley

Trolley for stacking and transporting up to 18 units.



01.

Plastic backrest: Injected polypropylene plastic, 100% recyclable. Optional fireproof treatment (UNE 23727/90 / UNE 23721/90 / UNE 23724).



01 / White



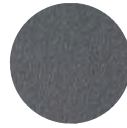
02 / Black



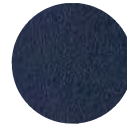
18 / Red



20 / Green



22 / Grey



27 / Sea blue



Upholstered backrest: Covered with high density flexible polyurethane foam (hard) of 40 kg/m³ (EN ISO 845 / BS 5852/10).



01 / White



02 / Black



Mesh backrest: Black injected polypropylene structure, 100% recyclable.

Double acrylic nylon mesh backrest, with the following characteristics:

Fabric weight 285 g/m²

Thickness 0.7 mm

Warp tensile strength 107 kg

Tensile strength of 135 kg

Warp thread density 8.6

Weft thread density 9.5



01 / White



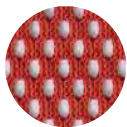
02 / Black



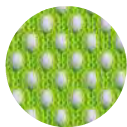
09 / Purple



02 / Black



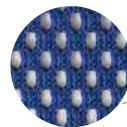
18 / Red



20 / Green



22 / Grey



27 / Sea blue



02.

Seat

Injected polypropylene, 100% recyclable.

Optional fireproof treatment (UNE 23727/90 / UNE 23721/90 / UNE 23724).

Optional: Covered with high density flexible polyurethane foam (hard) of 40 kg/m³ (EN ISO 845 / BS 5852/10).



Polished aluminium



Black leg/
black bar



Grey leg/
grey bar



Polished aluminium leg/
black bar

03.

Structure

Available in 2, 3, 4 or 5 seats. For benches with three or more seats, it is possible to replace one of the seats with a side table in phenolic graphite cardboard with black edge, 40 x 40 cm and 10 mm thick. For other finishes, consult quantities.

V-bench:

In tubular steel with black epoxy paint (RAL 9005), in epoxy grey aluminium (RAL 9006) (ISO 2360 / ISO 2409 / ASTM D 2794 / ISO 9227 / ISO 6270), in polished aluminium or black nylon.

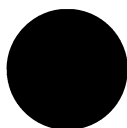
Central tube 80 x 40 mm and 3 mm thick. Inverted V-feet. Graphite PVC prevents contact with the wall.

T-bench:

In tubular steel with black epoxy paint (RAL 9005) or epoxy grey aluminium (RAL 9006) (ISO 2360 / ISO 2409 / ASTM D 2794 / ISO 9227 / ISO 6270). Central tube 80 x 40 mm and 5 mm thick. Inverted T-feet 500 x 100 mm and 10 mm thick with the possibility of floor anchorage.



RAL 9006



RAL 9005



Polished aluminium leg/
grey bar



Nylon leg/
black bar



Black leg/
black bar



Grey leg/
grey bar



Black leg ground anchor/
black bar



Grey leg ground anchor/
grey bar

01.

USB Charger

An accessory for all of those who live the busy rhythm of the day and need to recharge their devices comfortably while they are sitting and waiting. Its cylindrical design allows it to be easily differentiated from the rectangular section beam to which it is attached. It has two USB inputs for charging mobile devices.



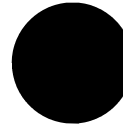
02.

Connection kit for T-bench

This accessory allows two or more benches to be connected with a T-leg. It makes it possible to create benches of any size, without limit. Available in black epoxy paint (RAL 9005) or aluminium grey epoxy paint (RAL 9006) (ISO 2360 / ISO 2409 / ASTM D 2794 / ISO 9227 / ISO 6270).



RAL 9006



RAL 9005



03.

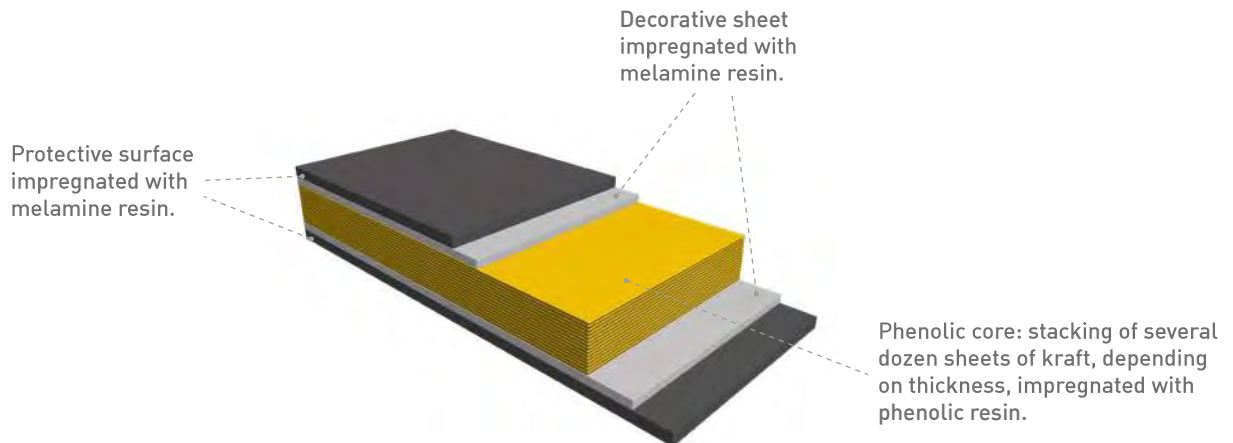
Phenolic (bench table/writing table)

Characteristics of phenolic :

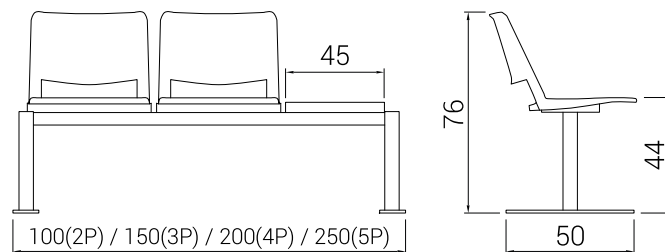
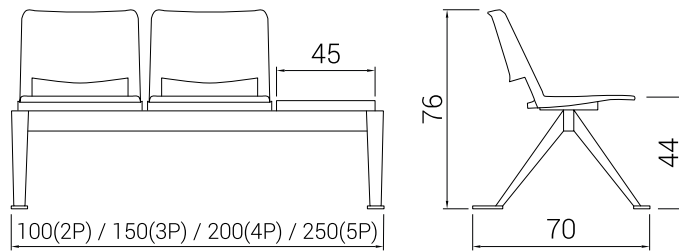
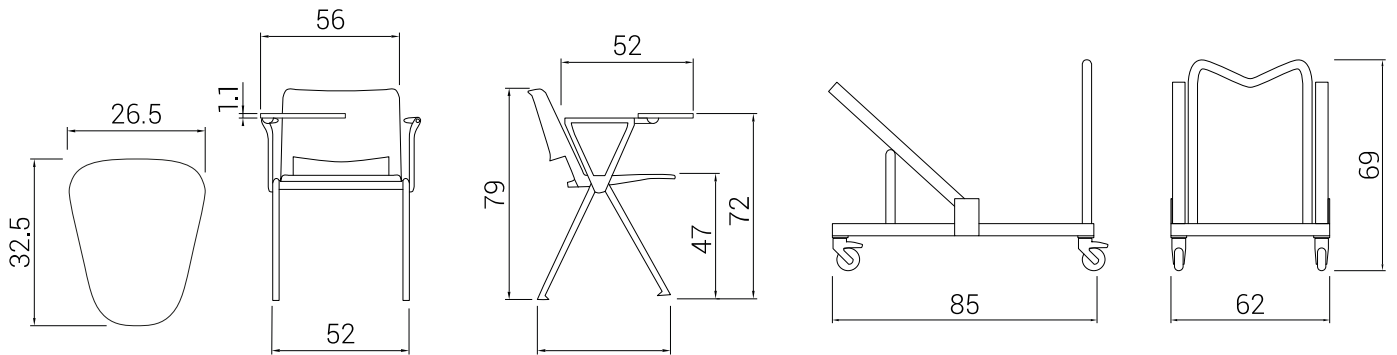
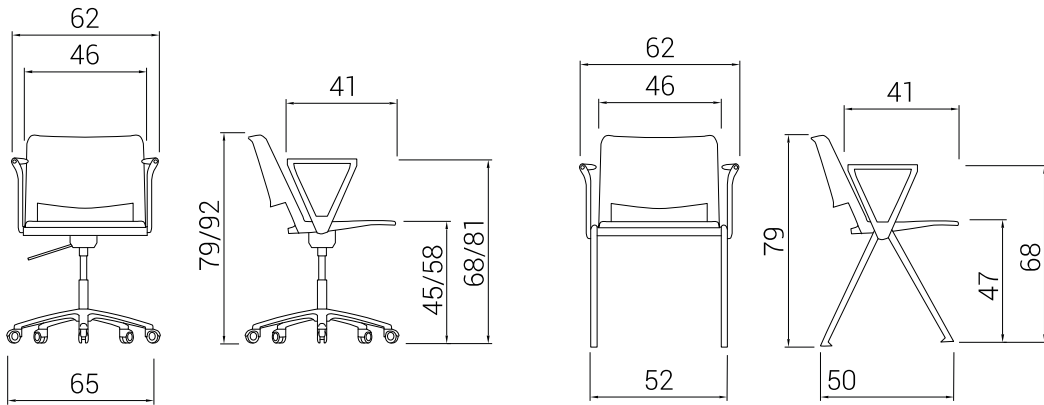
- Resistance to scratches.
- Resistance to heat.
- Easy to clean.
- Resistance to chemicals and domestic products.
- Resistance to cracks.
- Impact resistance.
- Resistance to abrasion
- Food hygiene.
- Resistance of colours to artificial light.

Phenolic test :

- ISO 4586 Thickness / Water resistance of decorative papers / Water absorption / Dimensional stability at high temperature / Vapour resistance.
- ISO 1183 Density.
- DIN 52612 Thermal conductivity.
- ASTM D 785 Hardness Rockuler.
- ISO 178 Resistance to flexion / Modulus of elasticity.
- ASTM D 256 Impact resistance.
- ASTM D 732 Shear strength.
- ISO 604 Compressive strength.



RELOAD DIMENSIONS



01

BALI (Go1)



02

POLYESTER (Go1)



03

GOYA (Go1)



04

TOUCH LEATHER (Go1)



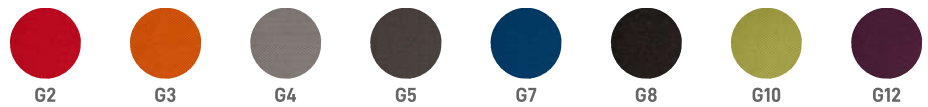
05

COMBI (Go1)



06

OCEAN (Go2)



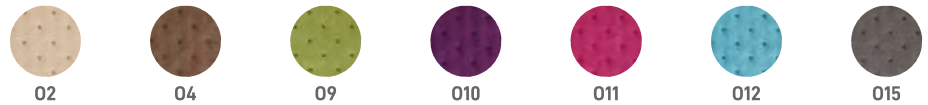
07

ELASTIKA FR (Go2)



08

ORUGA (Go2)



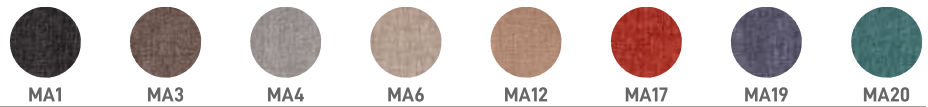
09

NILO (Go2)



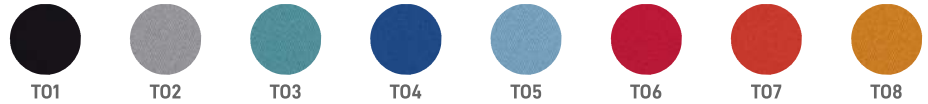
10

MADISON (Go2)



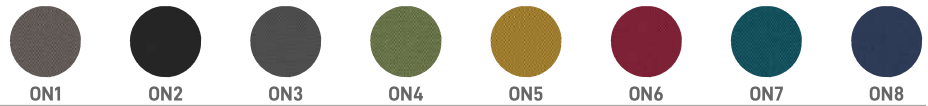
11

TONAL (Go2)



12

ONE (Go2)



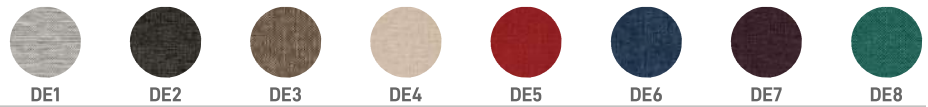
13

VALENCIA (Go3)



14

DEKORA (Go3)



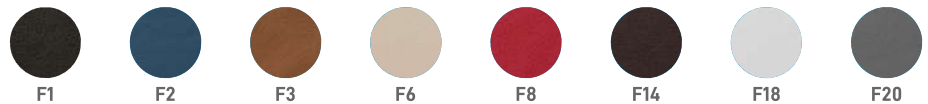
15

FELICITY (Go3)



16

LEATHER (Go4)



01. Writing tablet



In the position of use, the writing tablet rotates 90° vertically and 180° horizontally.

RELOAD ASSEMBLY INSTRUCTIONS SWIVEL CHAIR

5x



1x



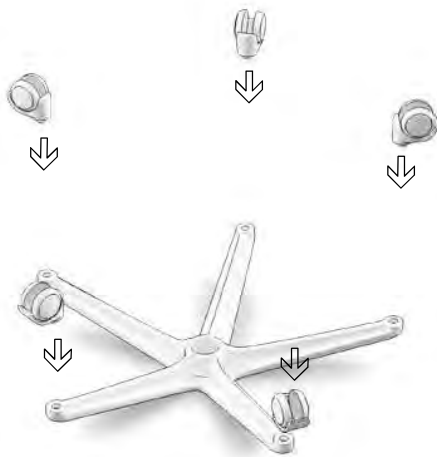
1x



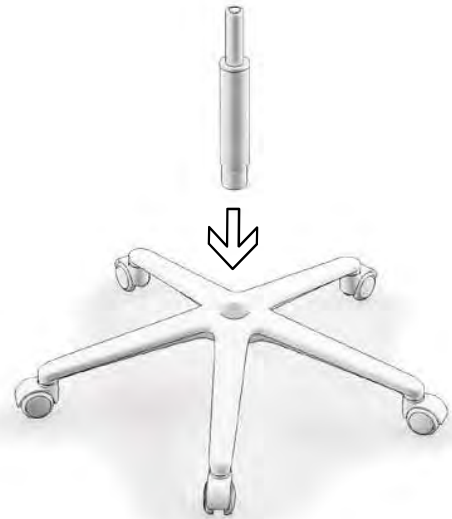
1x



1.



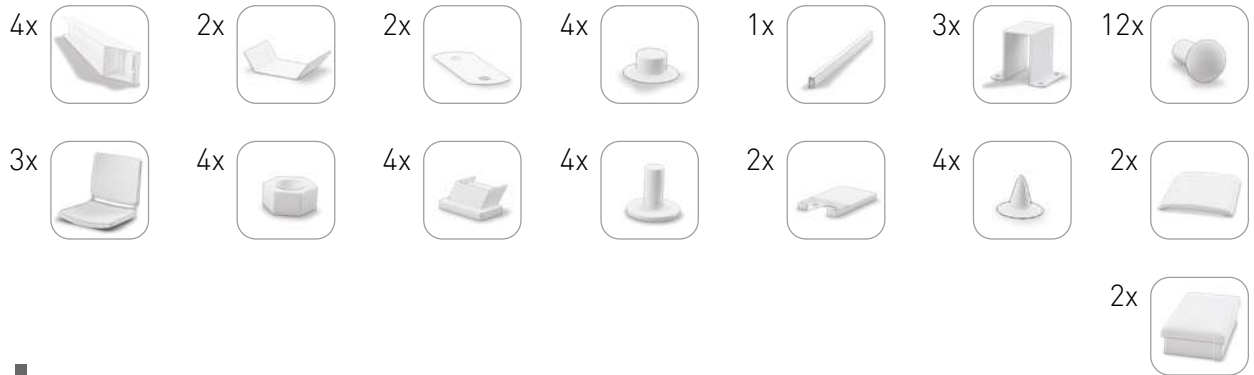
2.



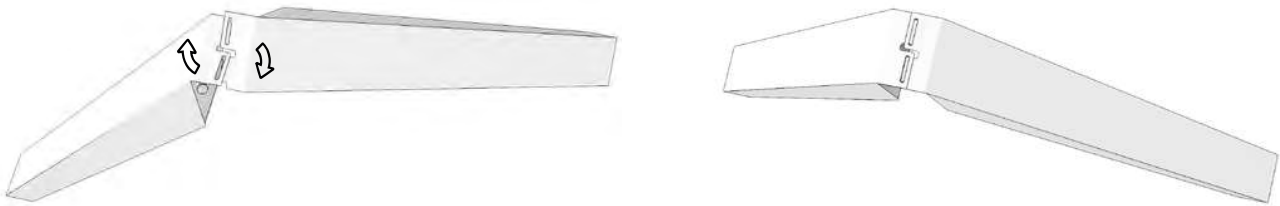
3.



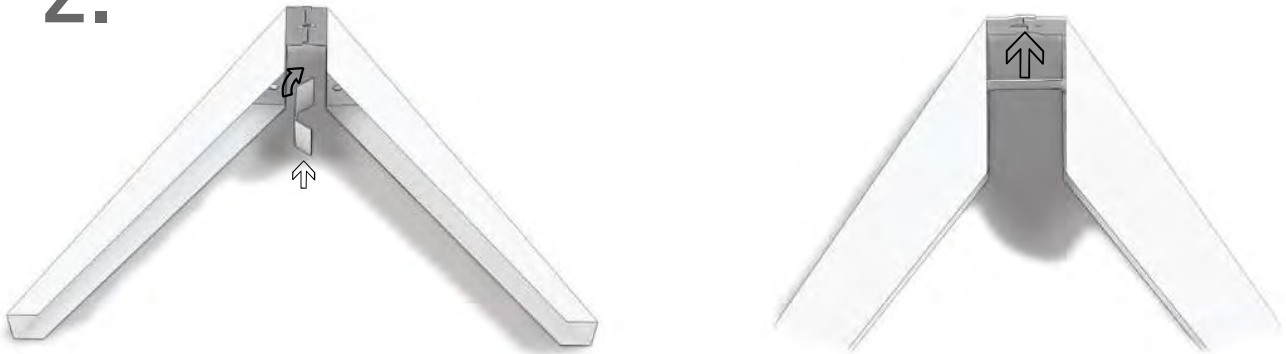
RELOAD ASSEMBLY INSTRUCTIONS V BENCH



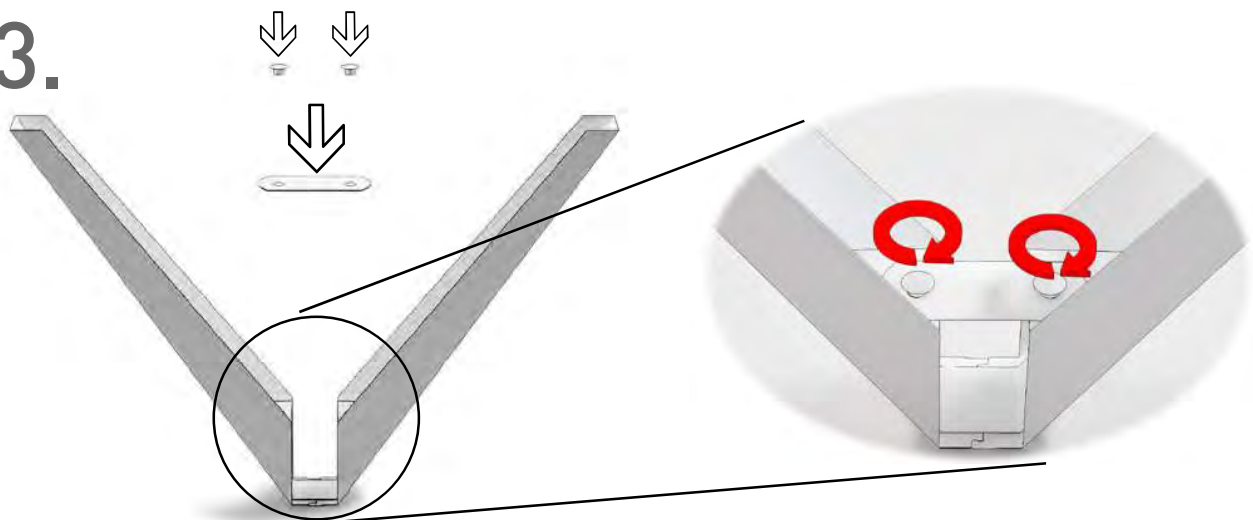
1.



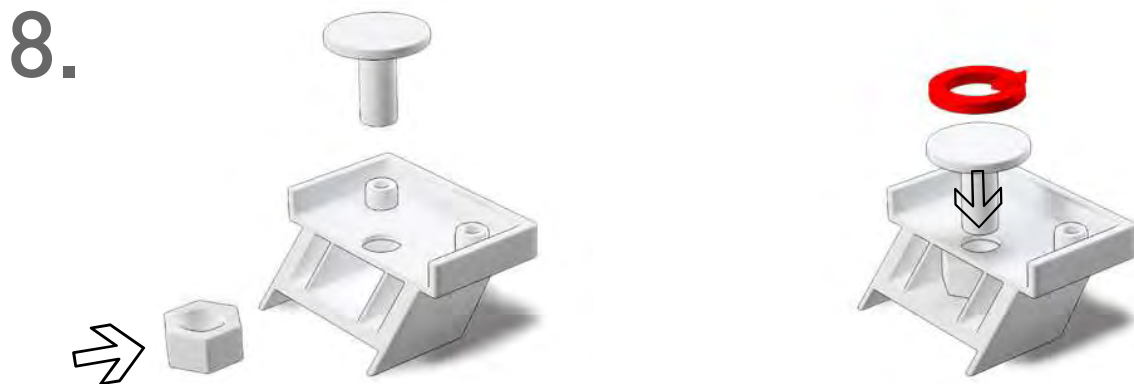
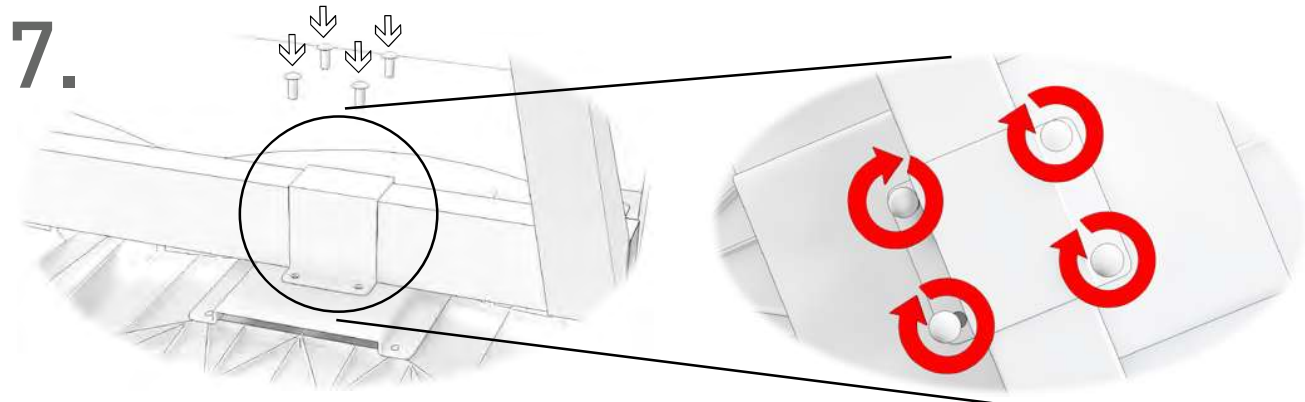
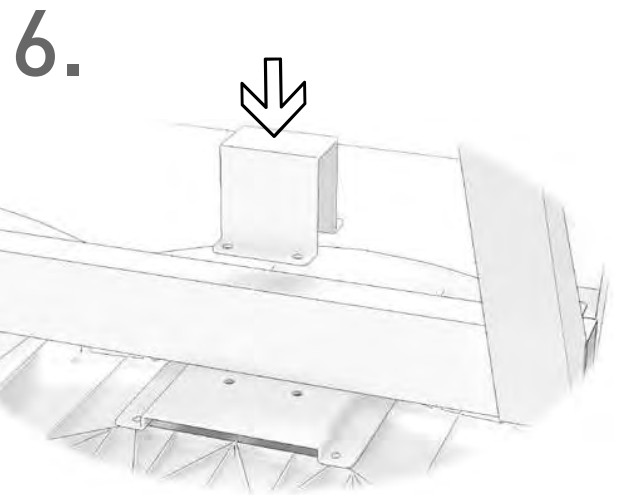
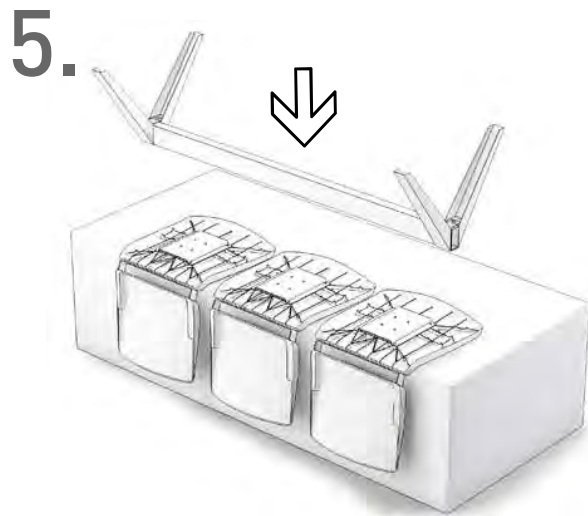
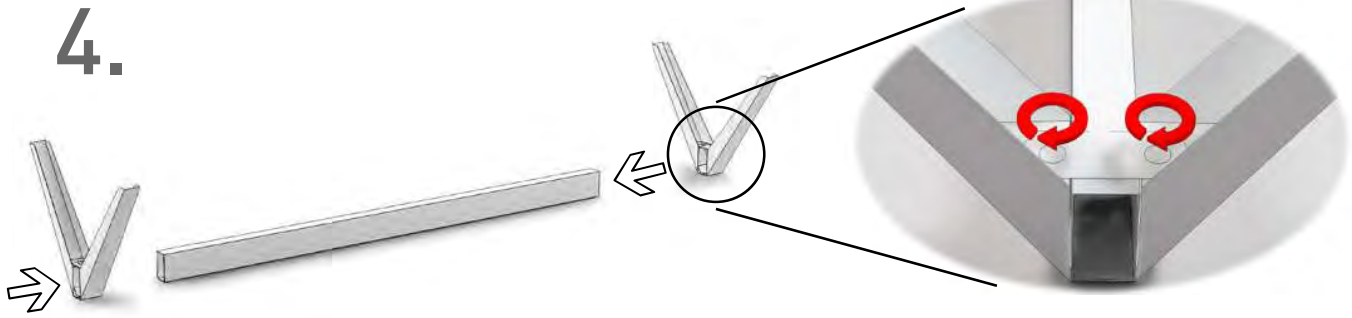
2.



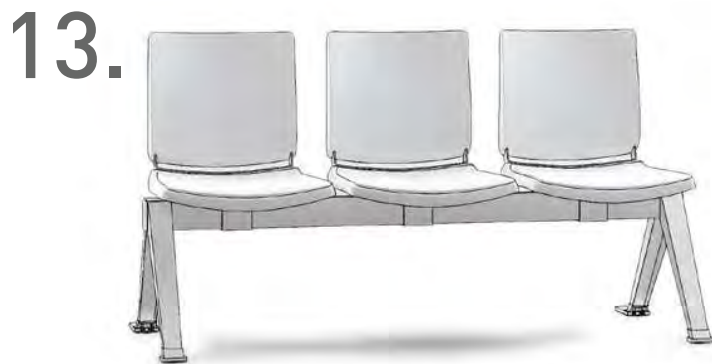
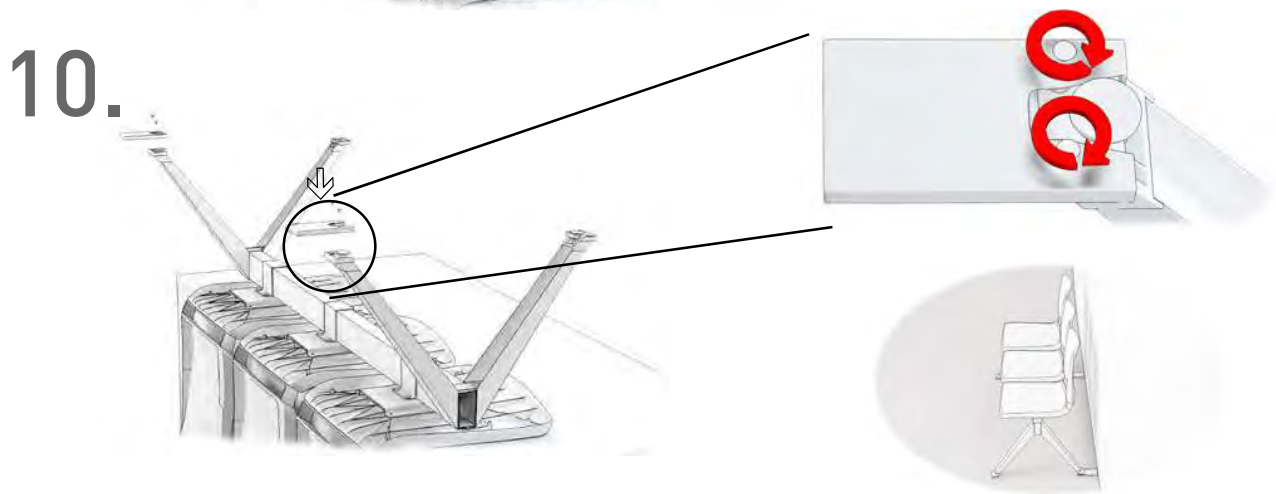
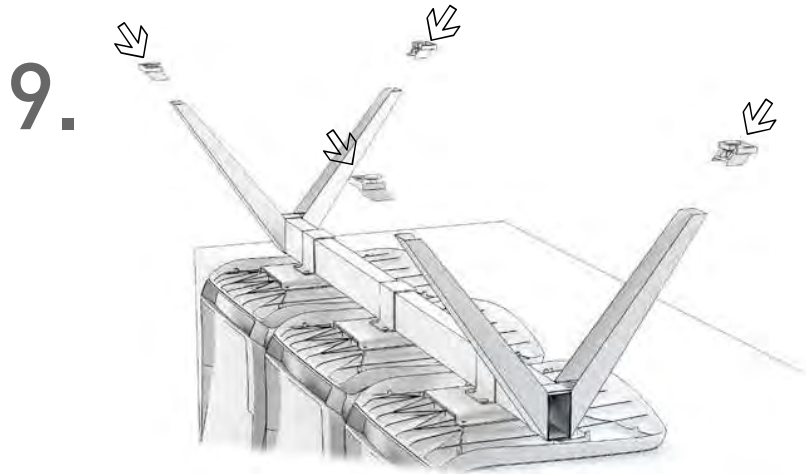
3.



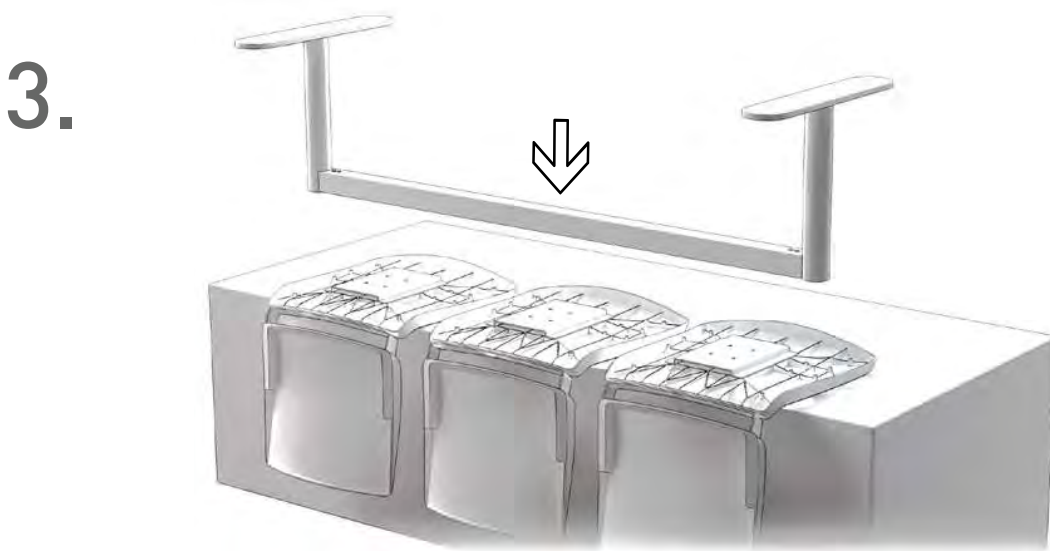
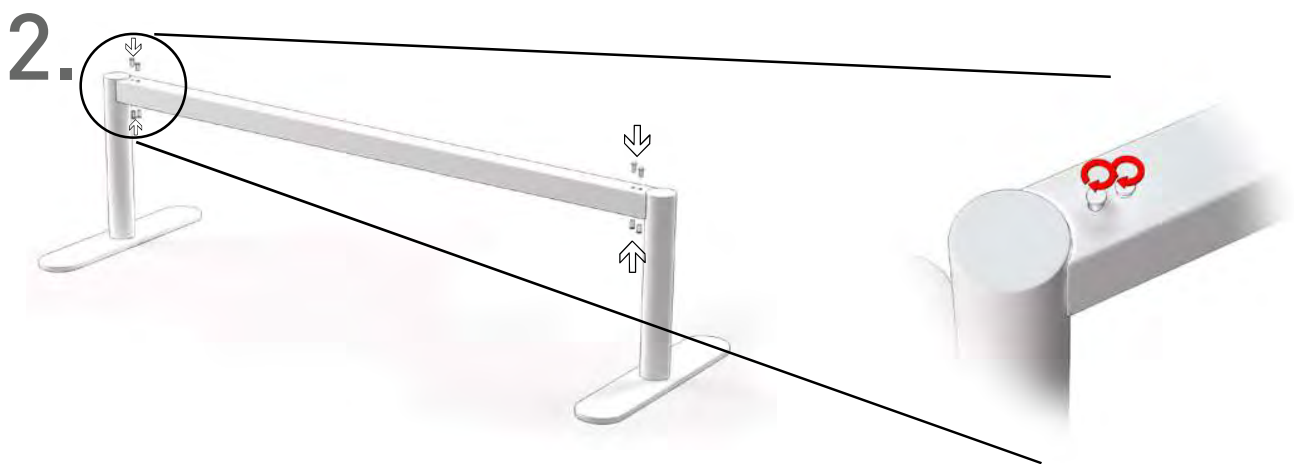
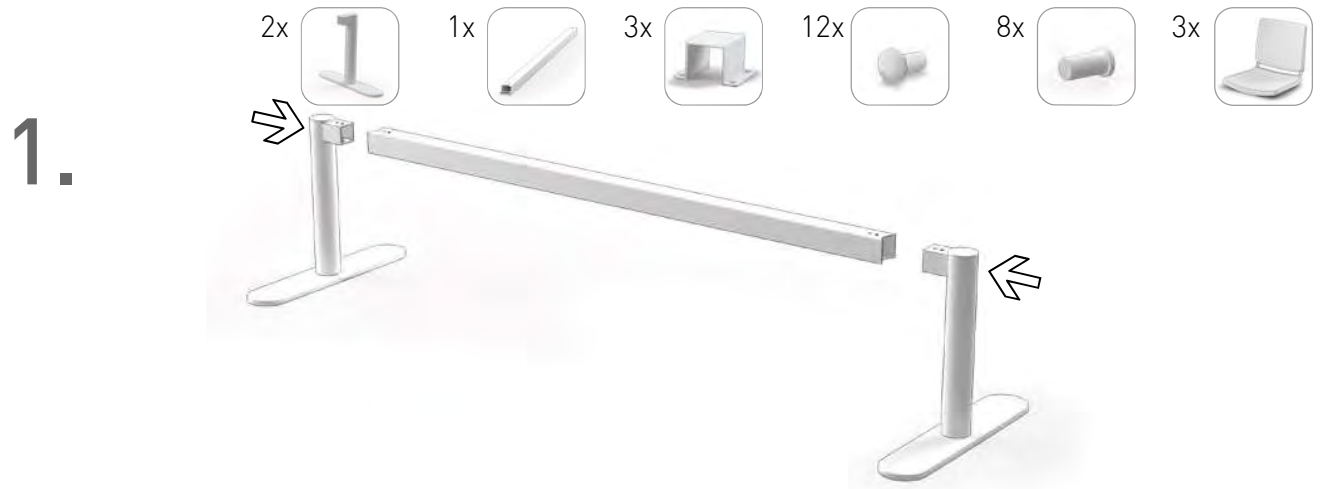
RELOAD
ASSEMBLY INSTRUCTIONS V BENCH



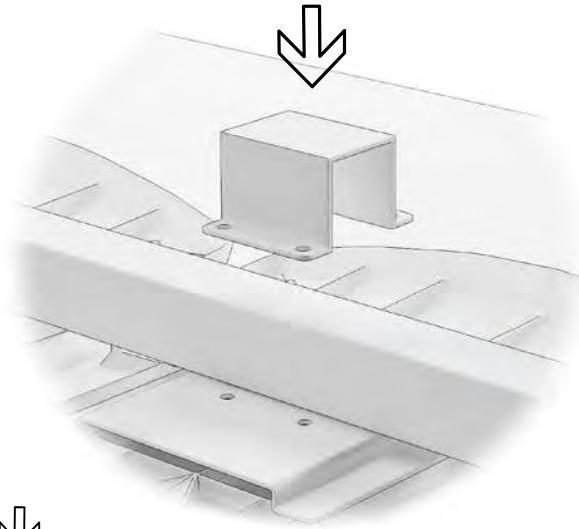
RELOAD ASSEMBLY INSTRUCTIONS V BENCH



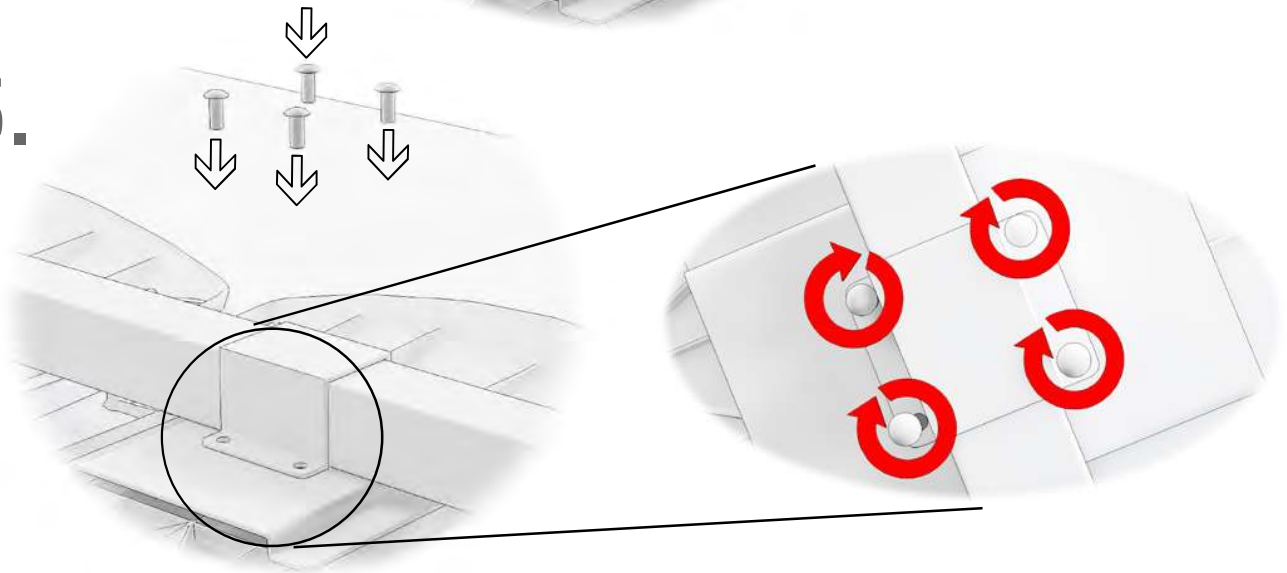
RELOAD ASSEMBLY INSTRUCTIONS T BENCH



4.



5.

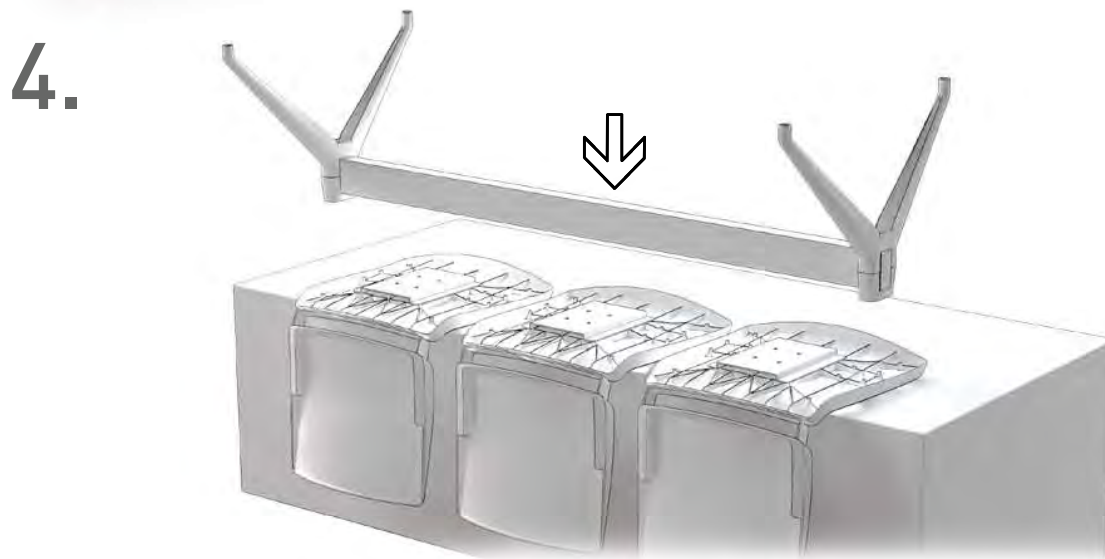
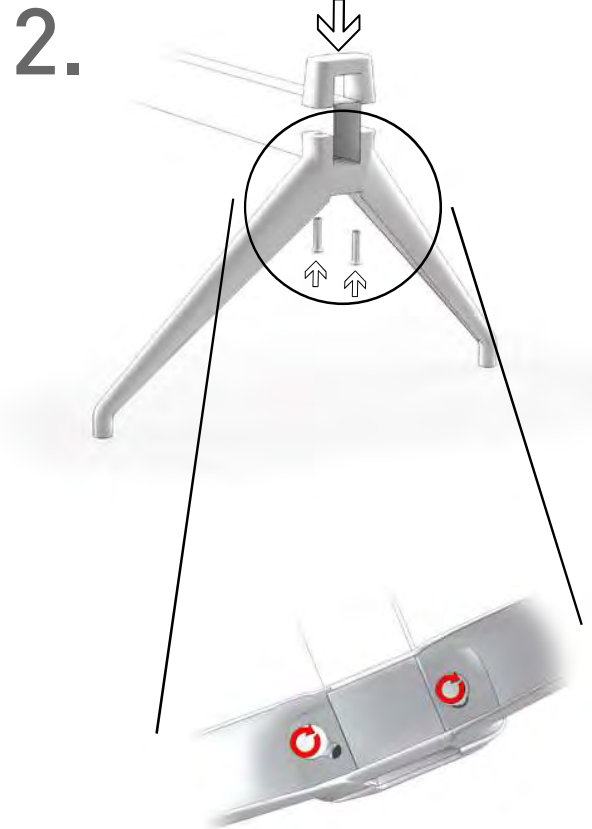


6.



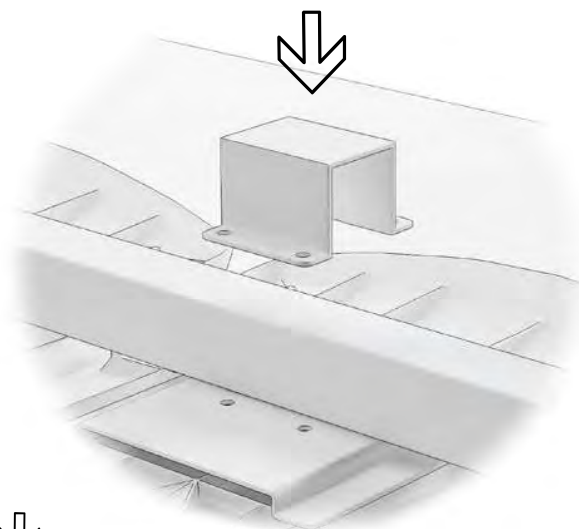
RELOAD ASSEMBLY INSTRUCTIONS POLISHED ALUMINUM BENCH BASE

- 4x 
- 2x 
- 1x 
- 3x 
- 12x 
- 2x 
- 3x 

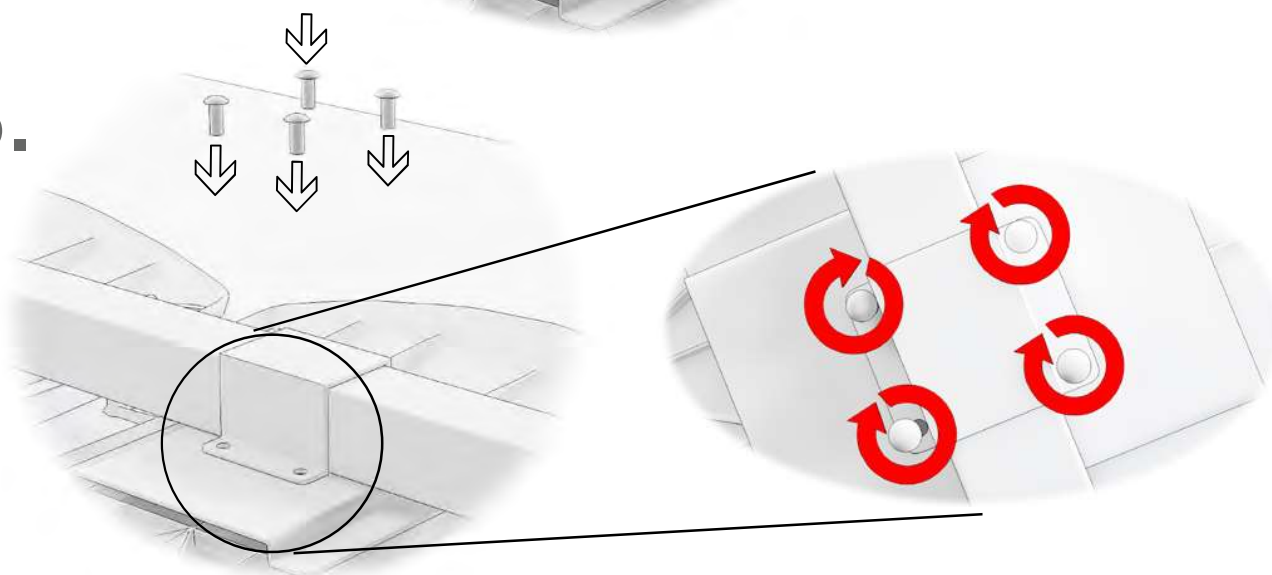


RELOAD
ASSEMBLY INSTRUCTIONS
POLISHED ALUMINUM BENCH BASE

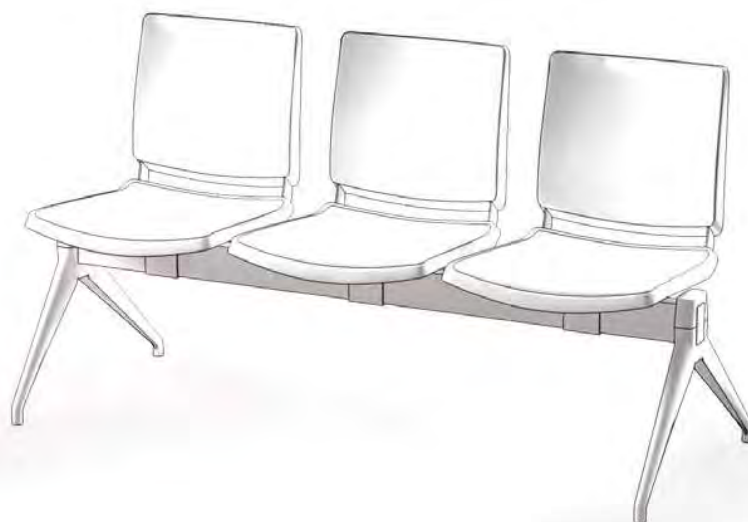
5.



6.

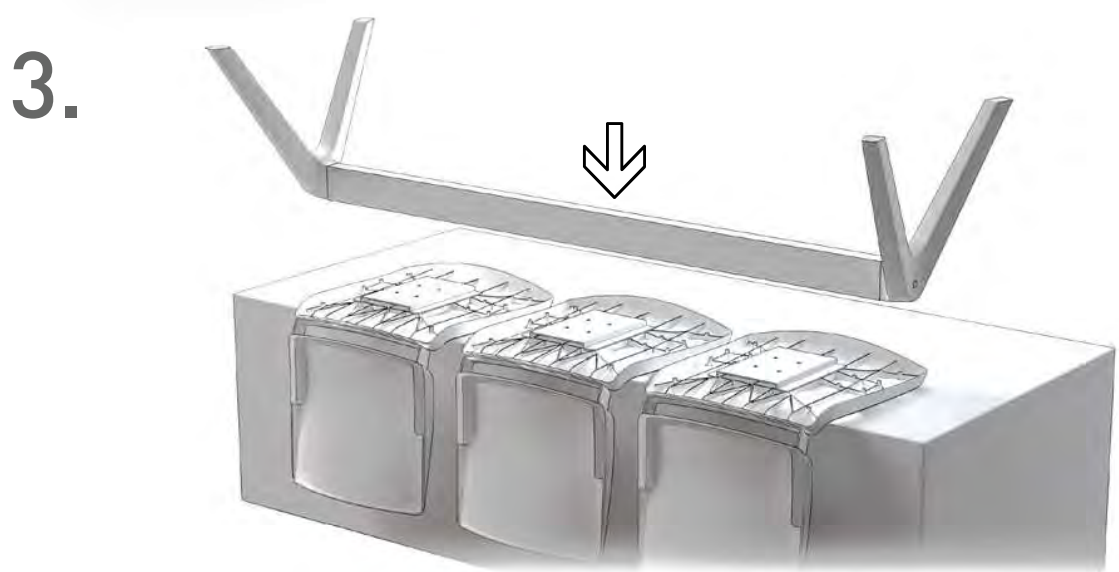
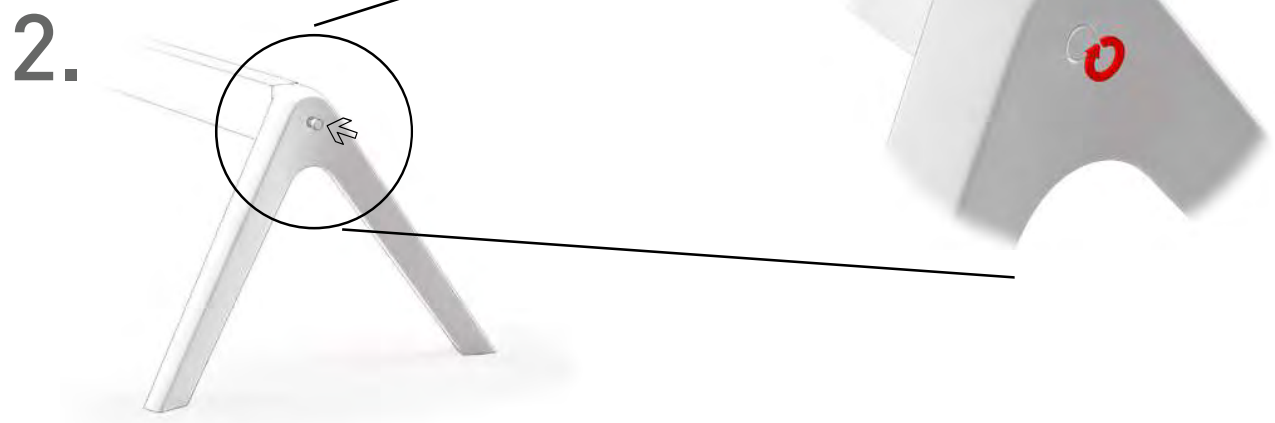


7.



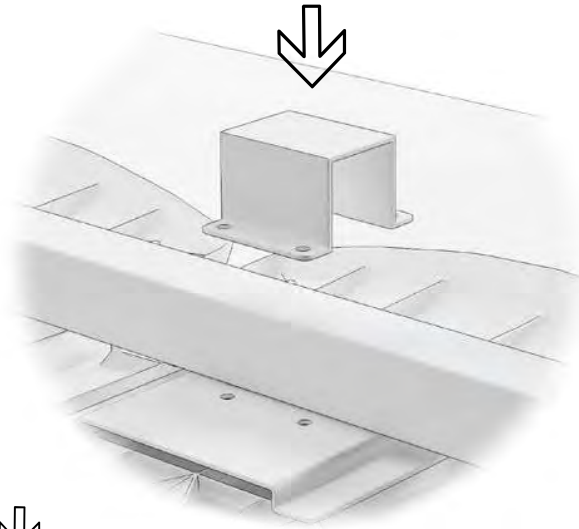
RELOAD ASSEMBLY INSTRUCTIONS NYLON BEAM BASE

- 2x 
- 1x 
- 3x 
- 12x 
- 3x 

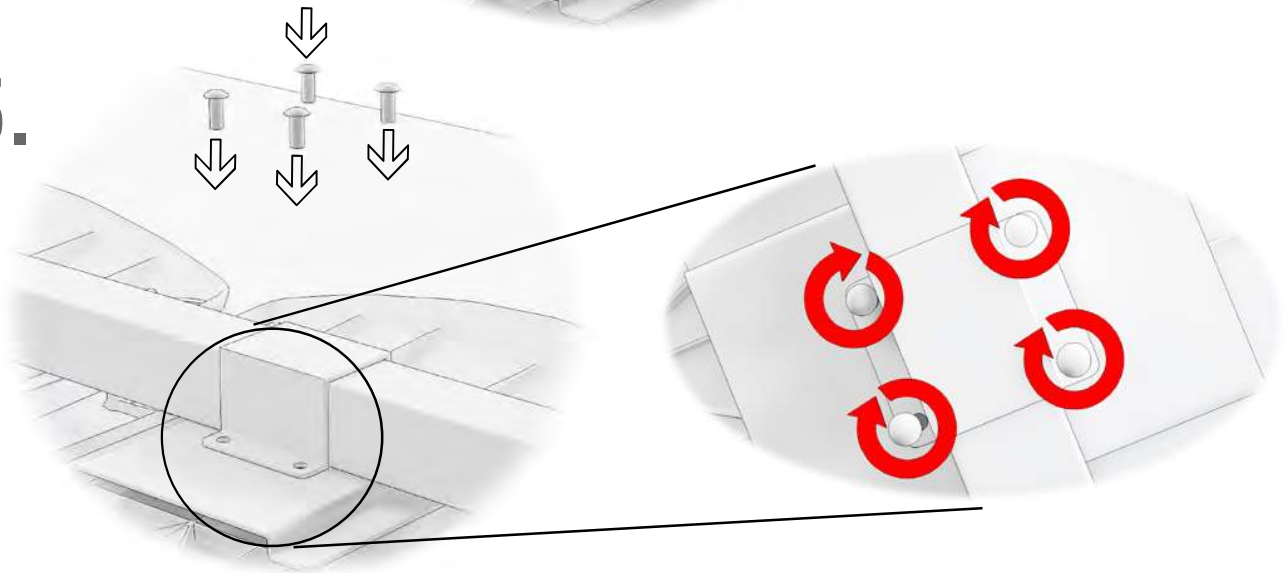


RELOAD
ASSEMBLY INSTRUCTIONS
NYLON BEAM BASE

4.



5.



6.

