

QUARTZ COLLECTION

SKU:VOMOOM-701-QUARTZ

Quartz chair

The Quartz chairs and table collection, designed by Ramón Esteve , is characterized by its **orthogonal geometry and triangular shaped profiles**. Due to the line of one of its vertexes this piece appears extremely light.

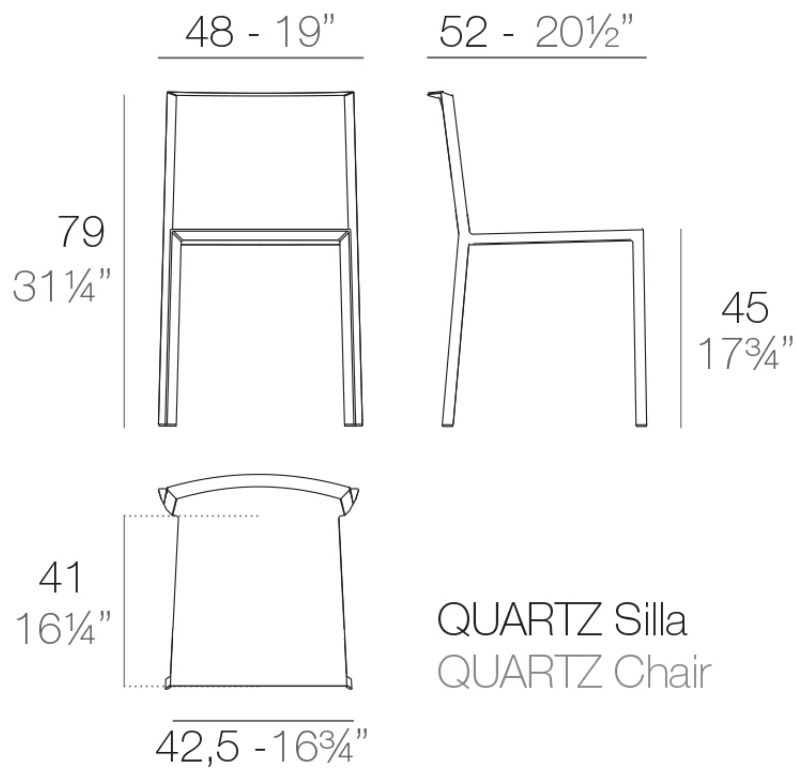


Info

Description

Injected polypropylene with fiber glass. Stackable. Item suitable for indoor and outdoor use.

Weight: 3 Kg



Quartz chair with arms

The Quartz chairs and table collection, designed by Ramón Esteve is characterized by its **orthogonal geometry and triangular shaped profiles**. Due to the line of one of its vertexes this piece appears extremely light.

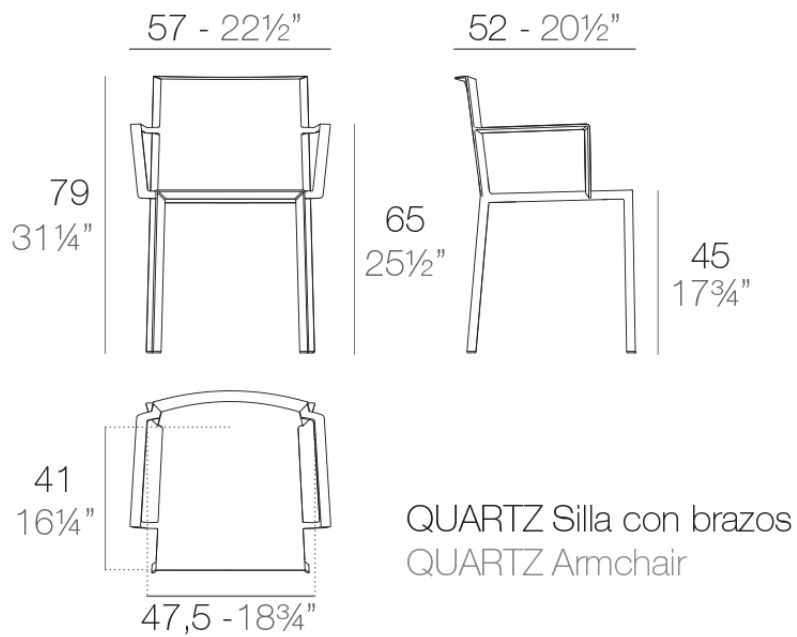


Info

Description

Injected polypropylene with fiber glass. Stackable. Item suitable for indoor and outdoor use.

Weight: 3 Kg



Quartz folding chair

The Quartz chairs and table collection, designed by Ramón Esteve , is characterized by its **orthogonal geometry and triangular shaped profiles**. Due to the line of one of its vertexes this piece appears extremely light.

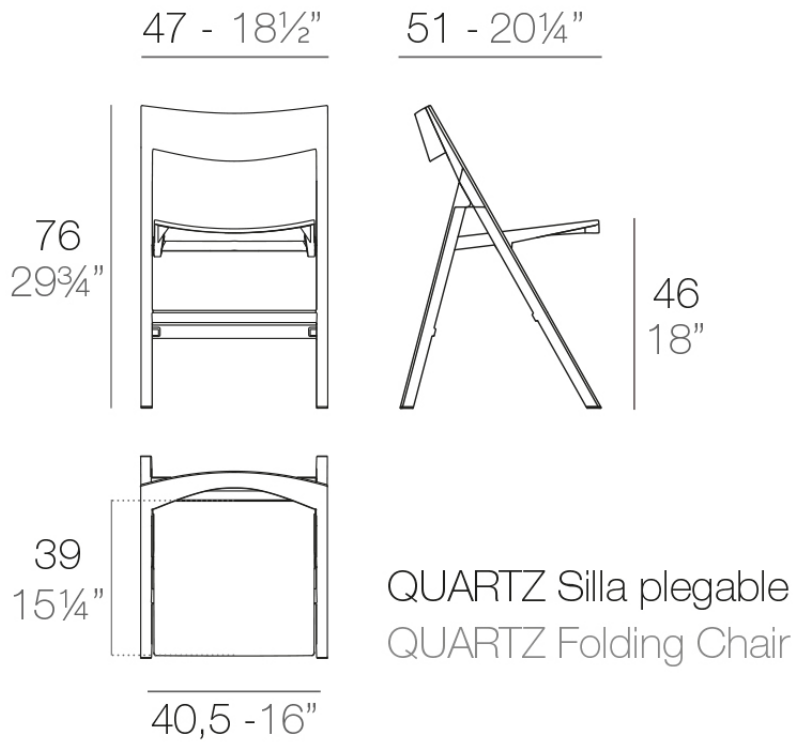


Info

Description

Injected polypropylene with fiber glass. Stackable. Item suitable for indoor and outdoor use.

Weight: 4.81 Kg



Quartz dining table ø59

The Quartz chairs and table collection, designed by Ramón Esteve is characterized by its **orthogonal geometry and triangular shaped profiles**. Due to the line of one of its vertexes this piece appears extremely light.

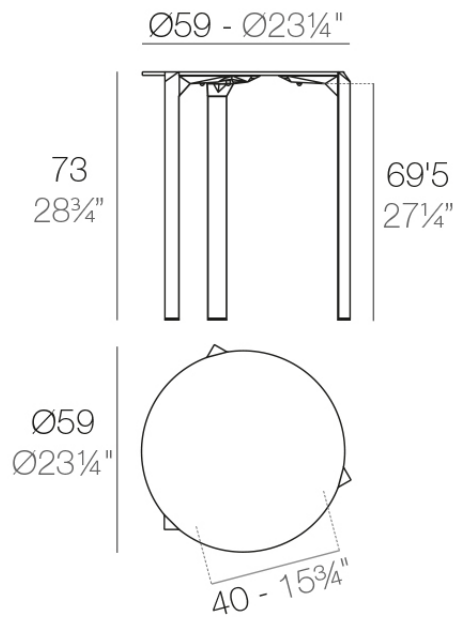


Info

Description

Made from polypropylene and reinforced with fiberglass manufactured by gas injection. Available in various colors. Suitable for indoor and outdoor use.

Weight: 5.1 Kg



QUARTZ Mesa Ø59
QUARTZ Table Ø23 1/4"

Quartz dining table ø69

The Quartz chairs and table collection, designed by Ramón Esteve , is characterized by its **orthogonal geometry and triangular shaped profiles**. Due to the line of one of its vertexes this piece appears extremely light.

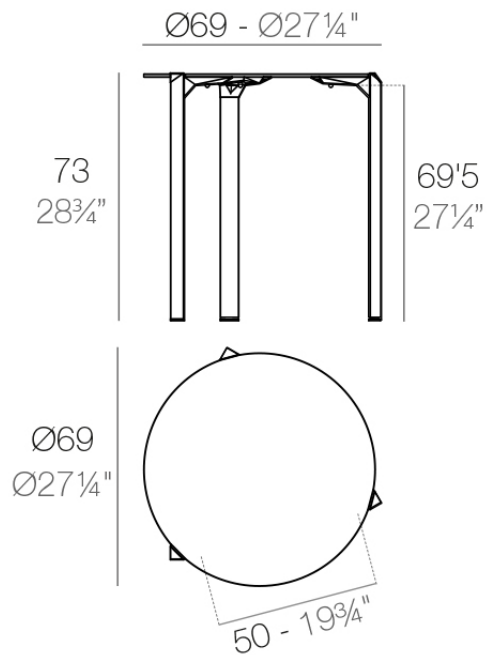


Info

Description

Made from polypropylene and reinforced with fiberglass manufactured by gas injection. Available in various colors. Suitable for indoor and outdoor use.

Weight: 6.53 Kg



QUARTZ Mesa $\text{Ø}69$
QUARTZ Table $\text{Ø}27\frac{1}{4}"$

Quartz dining table ø79

The Quartz chairs and table collection, designed by Ramón Esteve , is characterized by its **orthogonal geometry and triangular shaped profiles**. Due to the line of one of its vertexes this piece appears extremely light.

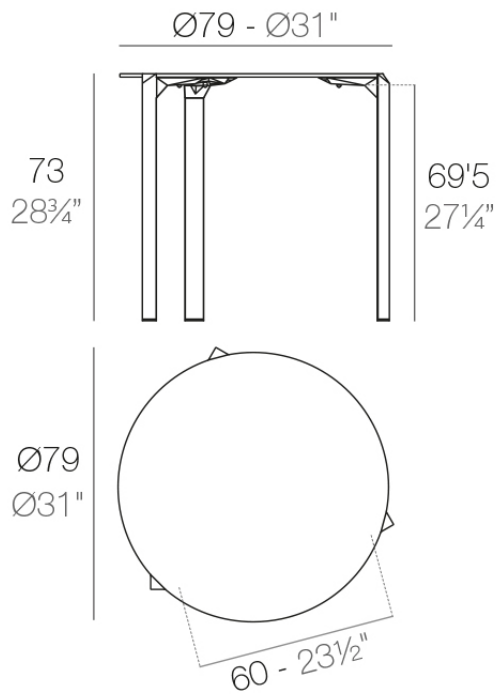


Info

Description

Made from polypropylene and reinforced with fiberglass manufactured by gas injection. Available in various colors. Suitable for indoor and outdoor use.

Weight: 8.31 Kg



QUARTZ Mesa Ø79
QUARTZ Table Ø31"

Quartz dining table ø90

The Quartz chairs and table collection, designed by Ramón Esteve , is characterized by its **orthogonal geometry and triangular shaped profiles**. Due to the line of one of its vertexes this piece appears extremely light.

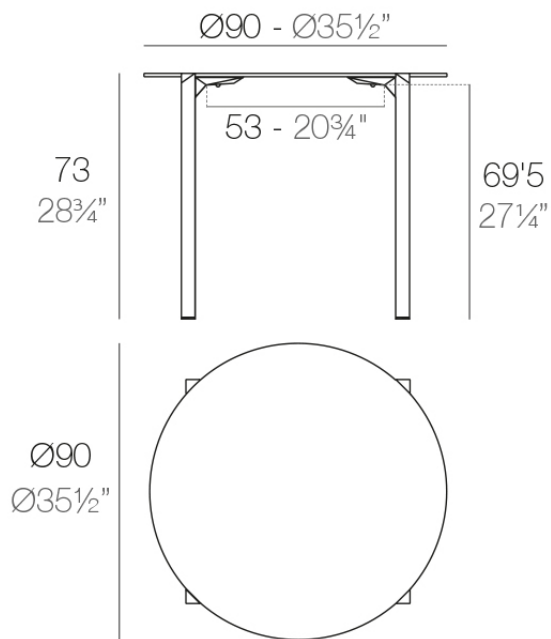


Info

Description

Made from polypropylene and reinforced with fiberglass manufactured by gas injection. Available in various colors. Suitable for indoor and outdoor use.

Weight: 10.8 Kg



QUARTZ Mesa Ø90
QUARTZ Table Ø35 1/2"

Quartz dining table ø100

The Quartz chairs and table collection, designed by Ramón Esteve , is characterized by its **orthogonal geometry and triangular shaped profiles**. Due to the line of one of its vertexes this piece appears extremely light.

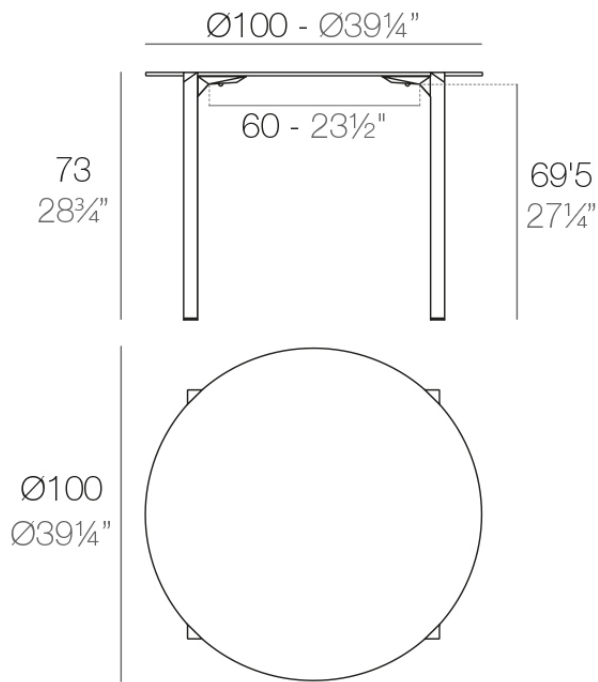


Info

Description

Made from polypropylene and reinforced with fiberglass manufactured by gas injection. Available in various colors. Suitable for indoor and outdoor use.

Weight: 13.06 Kg



QUARTZ Mesa Ø100
QUARTZ Table Ø39 1/4"

Quartz dining table 59x59

The Quartz chairs and table collection, designed by **Ramón Esteve**, is characterized by its **orthogonal geometry and triangular shaped profiles**. Due to the line of one of its vertexes this piece appears extremely light.

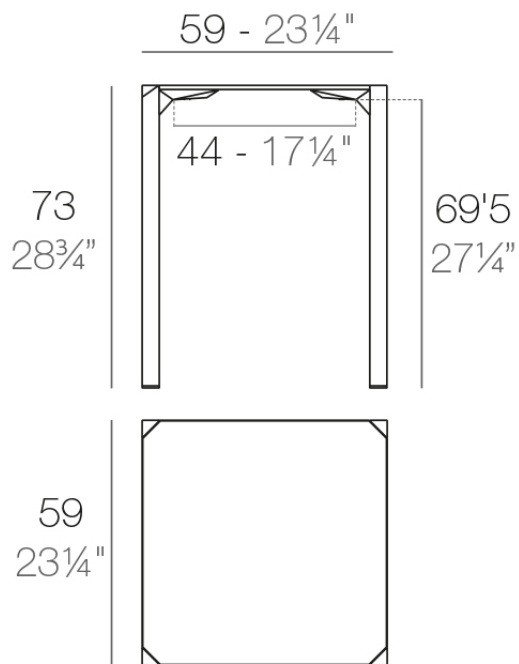


Info

Description

Made from polypropylene and reinforced with fiberglass manufactured by gas injection. Available in various colors. Suitable for indoor and outdoor use.

Weight: 0.78 Kg



QUARTZ Mesa 59 x 59

QUARTZ Table 23 1/4" x 23 1/4"

Quartz dining table 69x69

The Quartz chairs and table collection, designed by Ramón Esteve , is characterized by its **orthogonal geometry and triangular shaped profiles**. Due to the line of one of its vertexes this piece appears extremely light.

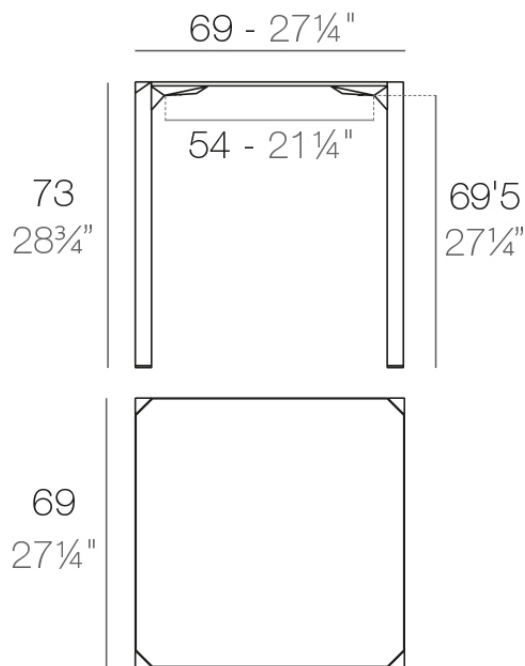


Info

Description

Made from polypropylene and reinforced with fiberglass manufactured by gas injection. Available in various colors. Suitable for indoor and outdoor use.

Weight: 8.51 Kg



QUARTZ Mesa 69 x 69
QUARTZ Table 27 1/4" x 27 1/4"

Quartz dining table 79x79

The Quartz chairs and table collection, designed by Ramón Esteve , is characterized by its **orthogonal geometry and triangular shaped profiles**. Due to the line of one of its vertexes this piece appears extremely light.

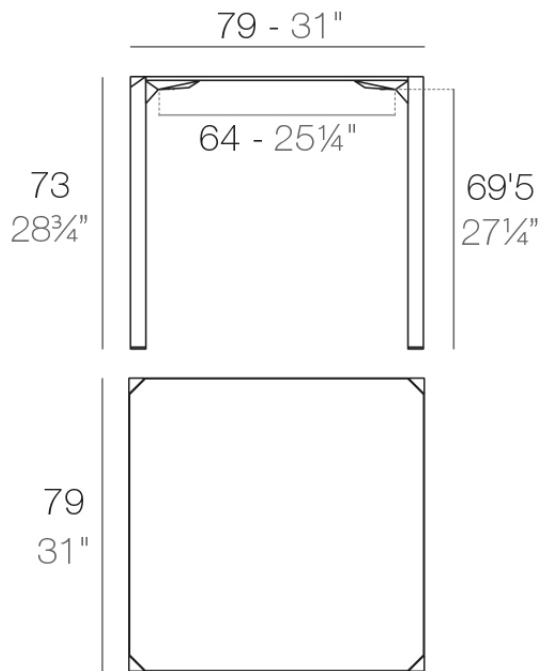


Info

Description

Made from polypropylene and reinforced with fiberglass manufactured by gas injection. Available in various colors. Suitable for indoor and outdoor use.

Weight: 10.45 Kg



QUARTZ Mesa 79 x 79
QUARTZ Table 31" x 31"

Quartz dining table ø79

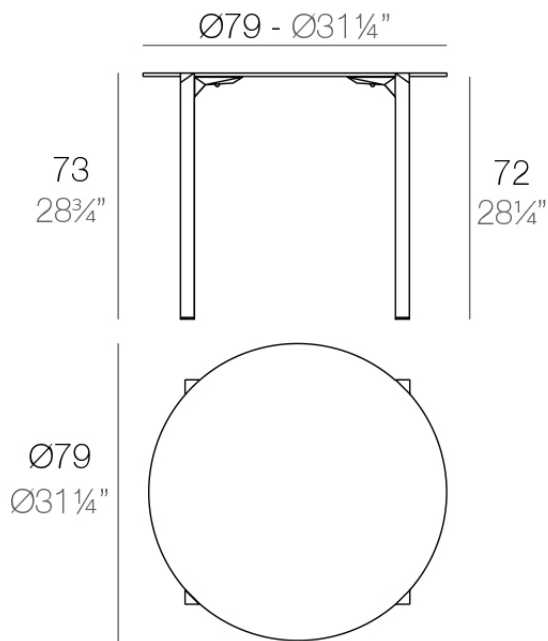
The Quartz chairs and table collection, designed by Ramón Esteve is characterized by its **orthogonal geometry and triangular shaped profiles**. Due to the line of one of its vertexes this piece appears extremely light.



Info

Description

Weight: 9.7 Kg



QUARTZ Mesa $\text{Ø}79$
QUARTZ Table $\text{Ø}31\frac{1}{4}"$