

# PEBBLES ROUND & SQUARED

SKU:RIMO20-601-PEBBLES TABLE



Round or square table with top in solid wood in glued lists, characterised by oblique edges to make it joinable to other elements. Leg and floor plate in iron.

**STANDARD VERSION: IRON BASE LACQUERED IRONDUST COLOUR (B2)**

CODE	SIZE
PEBBLES-ROUND TAV	Ø 80 x H.75
PEBBLES-SQUARED TAV	W.80 x D.80 x H.75

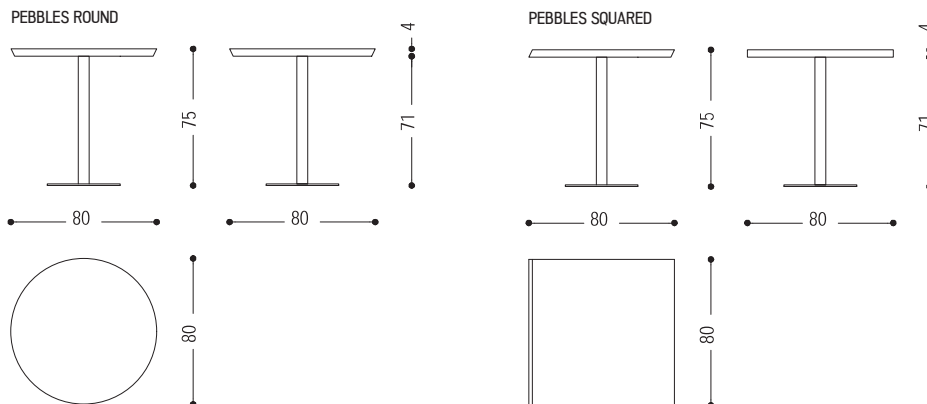
**AVAILABLE FINISHES:**

- A1: walnut without knots, walnut with knots, elm
- A2: oak without knots, oak with knots, cherry, maple
- A3: oak without knots finish: whitened, mystic black, vintage, neutro  
oak with knots finish: whitened, mystic black, vintage, neutro
- A4: oak without knots pigmented: ash grey, white milk, total black  
oak with knots pigmented: ash grey, white milk, total black

**AVAILABLE FINISHES:**

- B2: lacquered iron: iron dust, RAL (only selected colours)
- B3: lacquered iron matt brushed effect: aged copper, aged bronze, stainless steel, titanium  
lacquered iron oxidised effect

## PEBBLES ROUND



## PEBBLES ROUND & SQUARED TERRY DWAN



### AVAILABLE FINISHES:

- A1: walnut without knots, walnut with knots, elm
- A2: oak without knots, oak with knots, cherry, maple
- A3: oak without knots finish: whitened, mystic black, vintage, neutro  
oak with knots finish: whitened, mystic black, vintage, neutro
- A4: oak without knots pigmented: ash grey, white milk, total black  
oak with knots pigmented: ash grey, white milk, total black

### WOOD AND FINISHES



## PEBBLES ROUND & SQUARED TERRY DWAN

### AVAILABLE FINISHES:

**B2:** lacquered iron: irondust, RAL (only selected colours)

**B3:** lacquered iron matt brushed effect: aged copper, aged bronze, stainless steel, titanium  
lacquered iron oxidised effect

### METAL AND FINISHES



LACQUERED IRON  
TITANIUM MATT  
BRUSHED EFFECT



LACQUERED IRON  
AGED BRONZE MATT  
BRUSHED EFFECT



LACQUERED IRON  
AGED COPPER MATT  
BRUSHED EFFECT



LACQUERED IRON  
STAINLESS STEEL  
MATT BRUSHED  
EFFECT



RAL 3020 TRAFFIC  
RED



RAL 9005 JET BLACK



RAL 8019 GREY  
BROWN



RAL 7037 DUSTY  
GREY



RAL 7035 LIGHT GREY



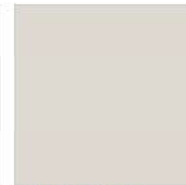
RAL 9016 TRAFFIC  
WHITE



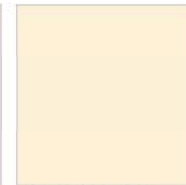
RAL 9010 PURE  
WHITE



RAL 1013 OYSTER  
WHITE



RAL 9002 GREY  
WHITE



RAL 9001 CREAM  
WHITE



IRONDUST  
LACQUERED IRON