

PAL COLLECTION

SKU:VOMOOM-701-PAL

Pal lounge chair

Pal is, as the name suggests, a friendly and modern line of **indoor & outdoor furniture**. This collection is a selection of **exclusive, minimalistic and colorful collections** of design furniture.

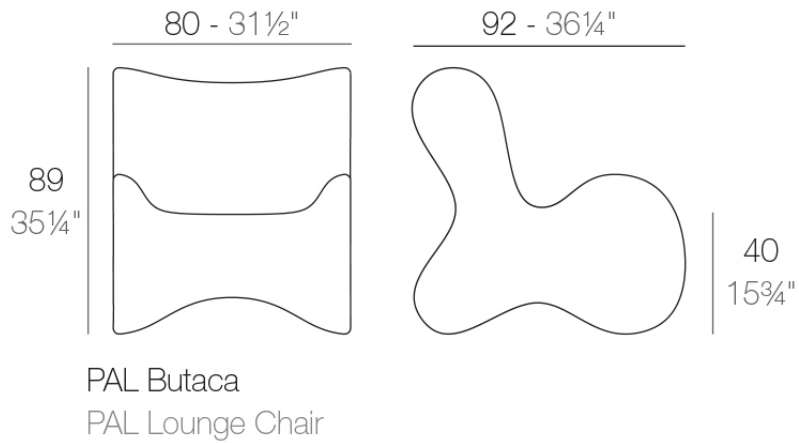


Info

Description

Made of polyethylene resin by rotational moulding. 100% Recyclable. Item suitable for indoor and outdoor use. Available in different finishes.

Weight: 20 Kg



Pal sofa

by Karim Rashid

Pal is, as the name suggests, a friendly and modern line of indoor & outdoor furniture . This collection is a selection of exclusive, minimalistic and colorful collections of design furniture.

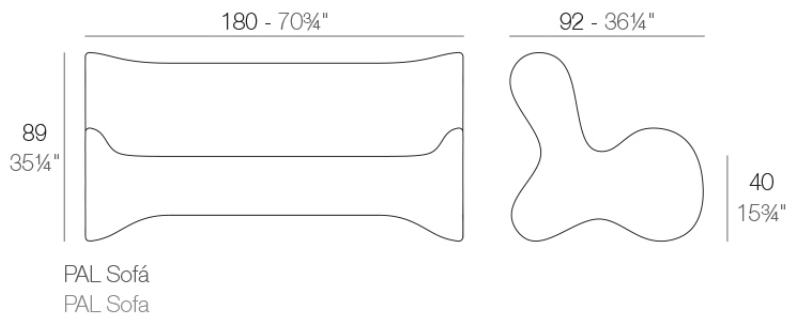


Info

Description

Made of polyethylene resin by rotational moulding. 100% Recyclable. Item suitable for indoor and outdoor use. Available in different finishes.

Weight: 40.01 Kg



Pal coffee table

by Karim Rashid

Pal is, as the name suggests, a friendly and modern line of indoor & outdoor furniture . This collection is a selection of exclusive, minimalistic and colorful collections of design furniture.

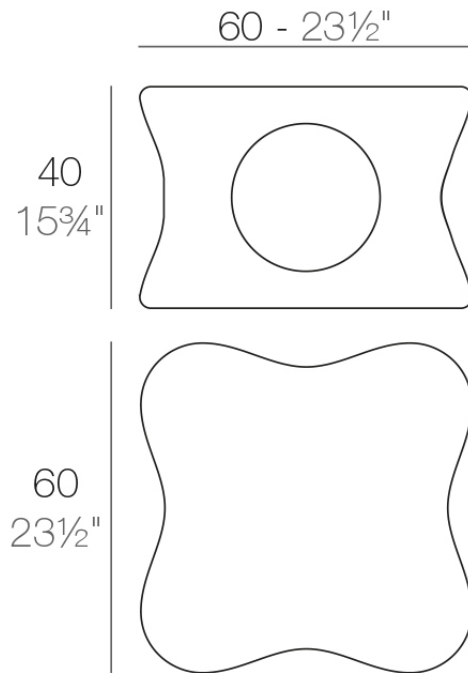


Info

Description

Made of polyethylene resin by rotational moulding. 100% Recyclable. Item suitable for indoor and outdoor use. Available in different finishes.

Weight: 9.5 Kg



PAL Mesa Baja
PAL Low Table

Pal armchair

by Karim Rashid

Pal is, as the name suggests, a friendly and modern line of indoor & outdoor furniture . This collection is a selection of exclusive, minimalistic and colorful collections of design furniture.

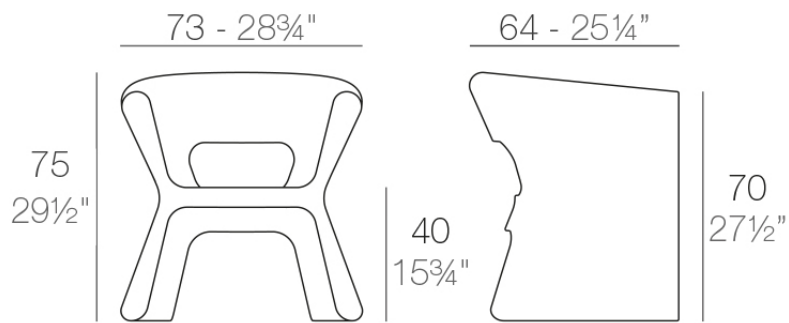


Info

Description

Made of polyethylene resin by rotational moulding. 100% Recyclable. Item suitable for indoor and outdoor use. Available in different finishes.

Weight: 12 Kg



PAL Silla con Brazos
PAL Armchair

Pal chair

by Karim Rashid

Pal is, as the name suggests, a friendly and modern line of indoor & outdoor furniture . This collection is a selection of exclusive, minimalistic and colorful collections of design furniture.

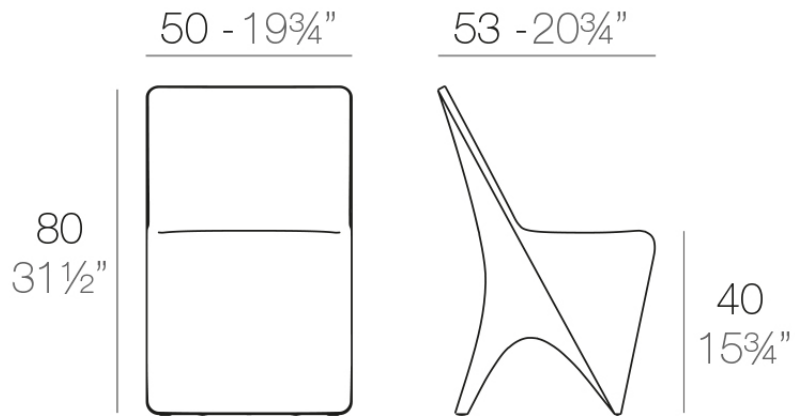


Info

Description

Made of polyethylene resin by rotational moulding. 100% Recyclable. Item suitable for indoor and outdoor use. Available in different finishes.

Weight: 7.5 Kg



PAL Silla
PAL Chair

Pal table/stool

by Karim Rashid

Pal is, as the name suggests, a friendly and modern line of indoor & outdoor furniture . This collection is a selection of exclusive, minimalistic and colorful collections of design furniture.

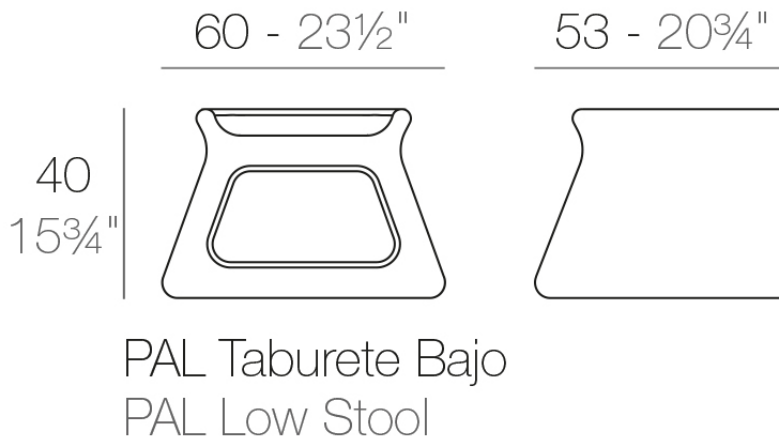


Info

Description

Made of polyethylene resin by rotational moulding. 100% Recyclable. Item suitable for indoor and outdoor use. Available in different finishes.

Weight: 7 Kg



Pal planter $\varnothing 45 \times 70$

Pal planter $\varnothing 55 \times 100$

Pal is, as the name suggests, a friendly and modern line of indoor & outdoor furniture . This collection is a selection of exclusive, minimalistic and colorful collections of design furniture.



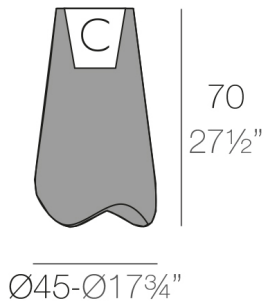
Info

Description

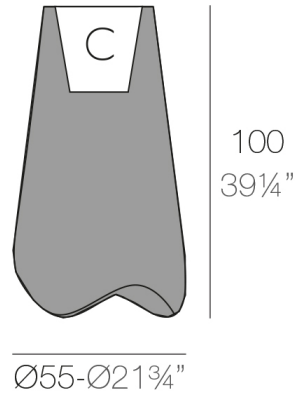
Pot made of polyethylene resin by rotational moulding. 100% Recyclable. Item suitable for indoor and outdoor use. Available in different finishes.

Weight: 4.5 Kg

Weight: 8.5 Kg



PAL Macetero 70 C = 10 L
PAL Planter 70 C = 2 3/4 gal



PAL Macetero 100 C = 20 L
PAL Planter 100 C = 5 1/2 gal

Pal nano planter ø14×28

Pal nano planter ø18×36

Pal is, as the name suggests, a friendly and modern line of indoor & outdoor furniture . This collection is a selection of exclusive, minimalistic and colorful collections of design furniture.



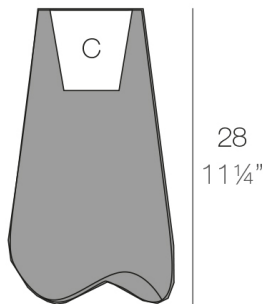
Info

Description

Pot made of polyethylene resin by rotational moulding. 100% Recyclable. Item suitable for indoor and outdoor use. Available in different finishes.

Weight: 0.5 Kg

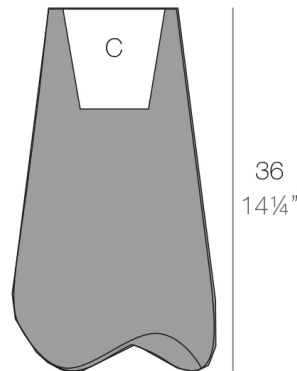
Weight: 0.95 Kg



Ø14-Ø5½"

PAL Nano Macetero 28
PAL Nano Planter 28

C = 1 L
C = ¼ gal



Ø18-Ø7"

PAL Nano Macetero 36
PAL Nano Planter 36

C = 2 L
C = ½ gal

Pal planter

by Karim Rashid

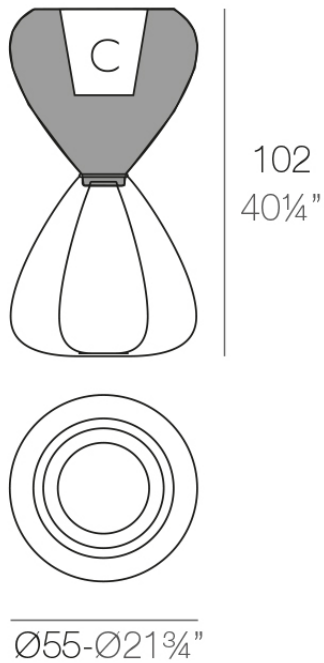
Pal is, as the name suggests, a friendly and modern line of indoor & outdoor furniture . This collection is a selection of exclusive, minimalistic and colorful collections of design furniture.



Info

Description

Pot made of polyethylene resin by rotational moulding. 100% Recyclable. Item suitable for indoor and outdoor use. Available in different finishes.



PAL Macetero 102 C = 20 L
PAL Planter 102 C = 5 $\frac{1}{2}$ gal

Pal jardiniera

by Karim Rashid

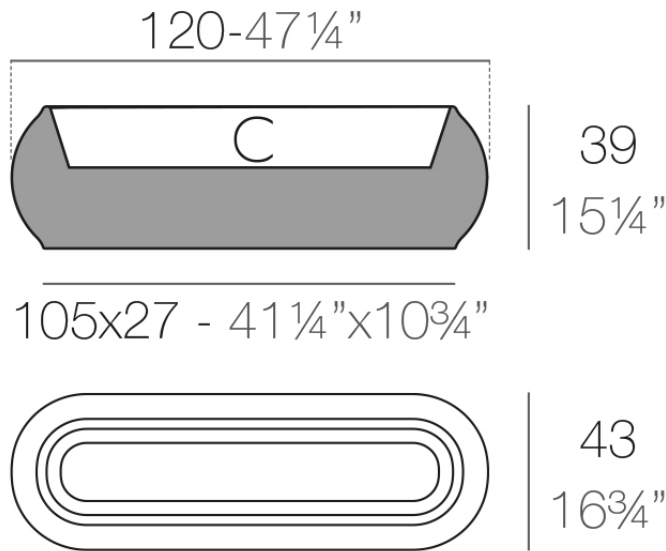
Pal is, as the name suggests, a friendly and modern line of indoor & outdoor furniture . This collection is a selection of exclusive, minimalistic and colorful collections of design furniture.



Info

Description

Pot made of polyethylene resin by rotational moulding. 100% Recyclable. Item suitable for indoor and outdoor use. Available in different finishes.



PAL Jardinera 39
PAL Jardiniere 39

C = 50 L
C = 13 gal