

NOSS

Design EDOARDO GHERARDI

Easy chair with structure in aluminium tube and seat in aluminium sheet 15/10 thick, powder coated. Optional cushion and backrest with Dryfeel foam padding for outdoor use.

STRUTTURA
STRUCTURE

	Bianco White
	Grigio Seta Silk Grey
	Denim Denim
	Ruggine Rust
	Bronzo Metal Metal Bronze
	Verde Green
	Grigio Grey
	Moka Dark Brown
	Nero Black

Sedia Easy
Easy Chair

MODELLO REGISTRATO
REGISTERED MODEL

 24500	 24500L low
 24501 cus.sed.	 24501L low
 24502 cus.sch.	 24502L low
 24503 sed+sch	 24503L low

24500
24500L

Pz	L	P	H
1	54	59	68
	21 1/4	23 1/4	26 3/4

m³ 0,217 - Kg 6,0 tot.
Kg 4,0 net

Istruzioni d'uso using instruction	IGSED
telo copertura cover	9467C

STRUCTURAL COMPONENTS

ARMCHAIR WITH ALUMINIUM TUBE FRAME AND SEAT IN POWDER-COATED ALUMINIUM, 15/10 THICK. HAND WOVEN BACK WITH SYNTHETIC FIBER ROPE (POLYPROPYLENE) LIGHT OR BROWN LINE.
OPTIONAL CUSHION : QUILTED HEATBOUND POLYESTER FIBER PADDING. CUSHION COVER NOT REMOVABLE. NOT REVERSIBLE.

CHARACTERISTICS OF THE MATERIALS

CHARACTERISTICS OF THE MATERIALS AND FABRICS ARE DESCRIBED IN THE WEBSITE www.varaschin.it FOLDER "MATERIALS" AND YOU CAN DOWNLOAD FROM FOLDER "DOWNLOAND-MATERIALS".

INSTRUCTIONS FOR USING THE PRODUCT PROPERLY AND SAFELY

VARASCHIN IS NOT LIABLE FOR DAMAGE CAUSED BY IMPROPER USE. THE SAME APPLIES TO DAMAGE DERIVING FROM USE IN EXTREME WEATHER CONDITIONS OR LACK OF CARE. TIPS FOR EXTENDING LONGEVITY OF COMPONENTS: DURING THE WINTER STORE IN A DRY AND CLOSED PLACE TO AVOID CONDENSATION .
DO NOT STEP ON WITH FEET. DO NOT SWING BACK AND FORTH ON THE LEGS. DO NOT SIT ON THE BACK OR ON ARMS. DO NOT USE AS A LADDER. BUTTONS AND THE ZIPPERS OF CLOTHING MAY CAUSE DAMAGE TO THE MATERIALS. IF NECESSARY, PLEASE CONTACT VARASCHIN SPA.

GENERAL INSTRUCTIONS FOR MAINTENANCE AND CLEANING

FOR DAILY CLEANING USE A DRY COTTON CLOTH. FOR MORE THOROUGH CLEANING USE ONLY A NEUTRAL PRODUCT DILUTED IN WARM WATER. NEVER USE ALCOHOL, AMMONIUM, THINNERS OR ABRASIVE PRODUCTS. IN MARINE ENVIRONMENTS ARTICLE SHOULD BE WEEKLY WHASED WITH FRESH WATER.
FOR CLEANING AND TAKING CARE OF ALL MATERIALS AND FABRICS, SEE THE FOLDER "DOWNLOAD-MAINTENANCE" FROM OUR WEBSITE www.varaschin.it OR ASK FOR IT VIA E-MAIL AT customercare@varaschin.it

GENERAL INFORMATION

N.B.: VARASCHIN SPA GUARANTEES THAT THE PRODUCT IS MADE OF QUALITY MATERIALS, USING THE BEST TECHNOLOGIES IN THE TRADE. THE COMPANY DECLINES ALL AND ANY LIABILITY FOR DAMAGE TO PERSONS AND/OR THINGS DUE TO IMPROPER USE OF THE PRODUCT. IF IN DOUBT PLEASE CONTACT THE MANUFACTURER.

DISPOSAL

PLEASE DO NOT JUST THROW OUT THE PIECE OF FURNITURE OR ANY PART OF IT. AT THE END OF ITS USE, PROVIDE FOR THE RECYCLING OR DISPOSAL OF THE COMPONENTS IN THE APPROPRIATE AREAS.

FIRE-FIGHTING MEASURES

ALTHOUGH THE PRODUCT IS NOT INFLAMMABLE, IT IS COMBUSTIBLE. THERE ARE NO RESTRICTIONS ON THE TYPES OF EXTINGUISHERS: POWDER, WATER, FOAM OR CO2. USE SUITABLE PROTECTION TO AVOID BREATHING IN FUMES. DURING DISPOSAL TAKE SPECIAL CARE TO PROTECT THE RESPIRATORY SYSTEM.

PRODUCT WARRANTY

REFER TO ARTICLE 3 "PRODUCT WARRANTY" PUBLISHED ON SALES CONDITIONS, DOCUMENTS OF SALE, WEBSITE www.varaschin.it

TECHNICAL INFO SHEET: This product information sheet complies with Italian Legislative Decree No. 206 of 6 September 2005, "Consumer Code".

The information given above refers to the latest data published in the price list. The company reserves the right to alter the models without notice.

COMPANY WITH SYSTEM MANAGEMENT QUALITY CERTIFIED UNI EN ISO 9001: 2015



NOSS

Design EDOARDO GHERARDI

Stool with structure in aluminium tube and seat in aluminium sheet 15/10 thick, powder coated. Optional cushion and backrest with Dryfeel foam padding for outdoor use.

STRUTTURA
STRUCTURE

- Bianco**
White
- Grigio Seta**
Silk Grey
- Denim**
Denim
- Ruggine**
Rust
- Bronzo Metal**
Metal Bronze
- Verde**
Green
- Grigio**
Grey
- Moka**
Dark Brown
- Nero**
Black

Sgabello alto
High bar stool

Sgabello basso
Low bar stool

MODELLO REGISTRATO
REGISTERED MODEL

 24550	 24550B basso
 24551 cus.sed.	 24551B basso
 24552 cus.sch.	 24552B basso
 24553 sed+sch	 24553B basso

24550

Pz	L	P	H
1	57	62	99
	22 1/2	24 3/8	39
m ³ 0,350 - Kg 9,3 tot.			
Kg 6,0 net			

24550B

Pz	L	P	H
1	56	62	90
	22	24 3/8	35 3/8
m ³ 0,312 - Kg 9,7 tot.			
Kg 6,0 net			

Istruzioni d'uso <i>using instruction</i>	IGSED
telo copertura <i>cover</i>	9417C

STRUCTURAL COMPONENTS

STOOL WITH STRUCTURE IN ALUMINIUM TUBE AND SEAT IN ALUMINIUM SHEET 15/10 THICK, POWDER COATED.
OPTIONAL CUSHION : QUILTED HEATBOUND POLYESTER FIBER PADDING. CUSHION COVER NOT REMOVABLE. NOT REVERSIBLE.

CHARACTERISTICS OF THE MATERIALS

CHARACTERISTICS OF THE MATERIALS AND FABRICS ARE DESCRIBED IN THE WEBSITE www.varaschin.it FOLDER "MATERIALS" AND YOU CAN DOWNLOAD FROM FOLDER "DOWNLOAND-MATERIALS".

INSTRUCTIONS FOR USING THE PRODUCT PROPERLY AND SAFELY

VARASCHIN IS NOT LIABLE FOR DAMAGE CAUSED BY IMPROPER USE. THE SAME APPLIES TO DAMAGE DERIVING FROM USE IN EXTREME WEATHER CONDITIONS OR LACK OF CARE. TIPS FOR EXTENDING LONGEVITY OF COMPONENTS: DURING THE WINTER STORE IN A DRY AND CLOSED PLACE TO AVOID CONDENSATION .
 DO NOT STEP ON WITH FEET. DO NOT SWING BACK AND FORTH ON THE LEGS. DO NOT SIT ON THE BACK OR ON ARMS. DO NOT USE AS A LADDER. BUTTONS AND THE ZIPPERS OF CLOTHING MAY CAUSE DAMAGE TO THE MATERIALS. IF NECESSARY, PLEASE CONTACT VARASCHIN SPA.

GENERAL INSTRUCTIONS FOR MAINTENANCE AND CLEANING

FOR DAILY CLEANING USE A DRY COTTON CLOTH. FOR MORE THOROUGH CLEANING USE ONLY A NEUTRAL PRODUCT DILUTED IN WARM WATER. NEVER USE ALCOHOL, AMMONIUM, THINNERS OR ABRASIVE PRODUCTS. IN MARINE ENVIRONMENTS ARTICLE SHOULD BE WEEKLY WHASED WITH FRESH WATER.
 FOR CLEANING AND TAKING CARE OF ALL MATERIALS AND FABRICS, SEE THE FOLDER "DOWNLOAD-MAINTENANCE" FROM OUR WEBSITE www.varaschin.it OR ASK FOR IT VIA E-MAIL AT customercare@varaschin.it

GENERAL INFORMATION

N.B.: VARASCHIN SPA GUARANTEES THAT THE PRODUCT IS MADE OF QUALITY MATERIALS, USING THE BEST TECHNOLOGIES IN THE TRADE. THE COMPANY DECLINES ALL AND ANY LIABILITY FOR DAMAGE TO PERSONS AND/OR THINGS DUE TO IMPROPER USE OF THE PRODUCT. IF IN DOUBT PLEASE CONTACT THE MANUFACTURER.

DISPOSAL

PLEASE DO NOT JUST THROW OUT THE PIECE OF FURNITURE OR ANY PART OF IT. AT THE END OF ITS USE, PROVIDE FOR THE RECYCLING OR DISPOSAL OF THE COMPONENTS IN THE APPROPRIATE AREAS.

FIRE-FIGHTING MEASURES

ALTHOUGH THE PRODUCT IS NOT INFLAMMABLE, IT IS COMBUSTIBLE. THERE ARE NO RESTRICTIONS ON THE TYPES OF EXTINGUISHERS: POWDER, WATER, FOAM OR CO2. USE SUITABLE PROTECTION TO AVOID BREATHING IN FUMES. DURING DISPOSAL TAKE SPECIAL CARE TO PROTECT THE RESPIRATORY SYSTEM.

PRODUCT WARRANTY

REFER TO ARTICLE 3 "PRODUCT WARRANTY" PUBLISHED ON SALES CONDITIONS, DOCUMENTS OF SALE, WEBSITE www.varaschin.it

TECHNICAL INFO SHEET: This product information sheet complies with Italian Legislative Decree No. 206 of 6 September 2005, "Consumer Code".

The information given above refers to the latest data published in the price list. The company reserves the right to alter the models without notice.

COMPANY WITH SYSTEM MANAGEMENT QUALITY CERTIFIED UNI EN ISO 9001: 2015



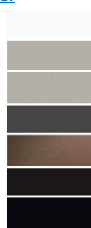
NOSS

Design EDOARDO GHERARDI

Armchair with aluminum tube frame and seat in powder-coated aluminum, 15/10 thick. Hand woven back with synthetic fiber rope (polypropylene) Light or Brown Line. Optional cushion with Dryfeel foam padding for outdoor use.

METAL structure:


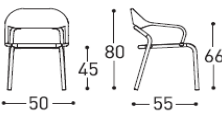
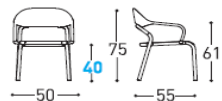

WHITE
SILK GREY
SILK GREY
BRONZE
GREY
DARK BROWN
BLACK



weaving:

LIGHT LINE
BROWN LINE



		<table border="1"> <thead> <tr> <th>Pz</th> <th>L</th> <th>P</th> <th>H</th> </tr> </thead> <tbody> <tr> <td>1</td> <td>62</td> <td>59</td> <td>87</td> </tr> <tr> <td></td> <td>24 ³/₈</td> <td>23 ¹/₄</td> <td>34 ¹/₄</td> </tr> </tbody> </table>	Pz	L	P	H	1	62	59	87		24 ³ / ₈	23 ¹ / ₄	34 ¹ / ₄
	Pz		L	P	H									
1	62	59	87											
	24 ³ / ₈	23 ¹ / ₄	34 ¹ / ₄											
<p>2450 armchair</p> <p>noss low</p> 	<p>m³ 0,318 - Kg 9,0 tot.</p> <p>Kg 6,0 net</p> <p>Kg 0,4 cusc. extra</p>													
 <p>MODELLO REGISTRATO REGISTERED MODEL</p>	<p>using instructions: IGTAV</p> <p>cover: 9467C</p>													

TEST	ART.
	2450 2450L

Carico statico sulle gambe anteriori e carico statico sulle gambe laterali ANSI - BIFMA X5.1-2017/17 | TEST SUPERATO - NESSUN DIFETTO
Leg strength test - front and side application ANSI - BIFMA X5.1-2017/17 | TEST PASSED - NO DEFECTS

STRUCTURAL COMPONENTS

ARMCHAIR WITH ALUMINUM TUBE FRAME AND SEAT IN POWDER-COATED ALUMINUM, 15/10 THICK. HAND WOVEN BACK WITH SYNTHETIC FIBER ROPE (POLYPROPYLENE) LIGHT OR BROWN LINE.

OPTIONAL CUSHION WITH DRYFEEL FOAM PADDING FOR OUTDOOR USE. QUILTED HEATBOUND POLYESTER FIBER PADDING. CUSHION COVER NOT REMOVABLE. NOT REVERSIBLE. CHARACTERISTICS OF THE COVERS ARE DESCRIBED IN THE VARASCHIN FOLDER "FABRICS".

INSTRUCTIONS FOR USING THE PRODUCT PROPERLY AND SAFELY

VARASCHIN IS NOT LIABLE FOR DAMAGE CAUSED BY IMPROPER USE. THE SAME APPLIES TO DAMAGE DERIVING FROM USE IN EXTREME WEATHER CONDITIONS OR LACK OF CARE. TIPS FOR EXTENDING LONGEVITY OF COMPONENTS: DURING THE WINTER STORE IN A DRY AND CLOSED PLACE TO AVOID CONDENSATION. DO NOT STEP ON WITH FEET. DO NOT SWING BACK AND FORTH ON THE LEGS. DO NOT SIT ON THE BACK OR ON ARMS. DO NOT USE AS A LADDER. BUTTONS AND THE ZIPPERS OF CLOTHING MAY CAUSE DAMAGE TO THE MATERIALS. IF NECESSARY, PLEASE CONTACT VARASCHIN SPA.

GENERAL INSTRUCTIONS FOR MAINTENANCE AND CLEANING

FOR DAILY CLEANING USE A DRY COTTON CLOTH. FOR MORE THOROUGH CLEANING USE ONLY A NEUTRAL PRODUCT DILUTED IN WARM WATER. NEVER USE ALCOHOL, AMMONIUM, THINNERS OR ABRASIVE PRODUCTS. IN MARINE ENVIRONMENTS ARTICLE SHOULD BE WEEKLY WHASED WITH FRESH WATER. WE WOULD ADVISE USING GOLDEN CARE PRODUCTS AS THEY ARE SPECIALLY DESIGNED FOR CLEANING METAL, GLASS AND SYNTHETIC FIBRES. FOR CLEANING AND TAKING CARE OF FABRICS, SEE THE VARASCHIN SPA "FABRICS" FOLDER. YOU CAN DOWNLOAD FROM OUR WEBSITE WWW.VARASCHIN.IT / "CARTELLA TESSUTI" OR ASK FOR IT VIA E-MAIL AT VARASCHIN@VARASCHIN.IT

GENERAL INFORMATION

N.B.: VARASCHIN SPA GUARANTEES THAT THE PRODUCT IS MADE OF QUALITY MATERIALS, USING THE BEST TECHNOLOGIES IN THE TRADE. THE COMPANY DECLINES ALL AND ANY LIABILITY FOR DAMAGE TO PERSONS AND/OR THINGS DUE TO IMPROPER USE OF THE PRODUCT. IF IN DOUBT PLEASE CONTACT THE MANUFACTURER.

DISPOSAL

PLEASE DO NOT JUST THROW OUT THE PIECE OF FURNITURE OR ANY PART OF IT. AT THE END OF ITS USE, PROVIDE FOR THE RECYCLING OR DISPOSAL OF THE COMPONENTS IN THE APPROPRIATE AREAS.

FIRE-FIGHTING MEASURES

ALTHOUGH THE PRODUCT IS NOT INFLAMMABLE, IT IS COMBUSTIBLE. THERE ARE NO RESTRICTIONS ON THE TYPES OF EXTINGUISHERS: POWDER, WATER, FOAM OR CO2. USE SUITABLE PROTECTION TO AVOID BREATHING IN FUMES. DURING DISPOSAL TAKE SPECIAL CARE TO PROTECT THE RESPIRATORY SYSTEM.

PRODUCT WARRANTY

REFER TO ARTICLE 3 "PRODUCT WARRANTY" PUBLISHED ON SALES CONDITIONS, DOCUMENTS OF SALE, WEBSITE www.varaschin.it

TECHNICAL INFO SHEET: This product information sheet complies with Italian Legislative Decree No. 206 of 6 September 2005, "Consumer Code".

The information given above refers to the latest data published in the price list. The company reserves the right to alter the models without notice.

COMPANY WITH SYSTEM MANAGEMENT QUALITY CERTIFIED **UNI EN ISO 9001: 2015**