

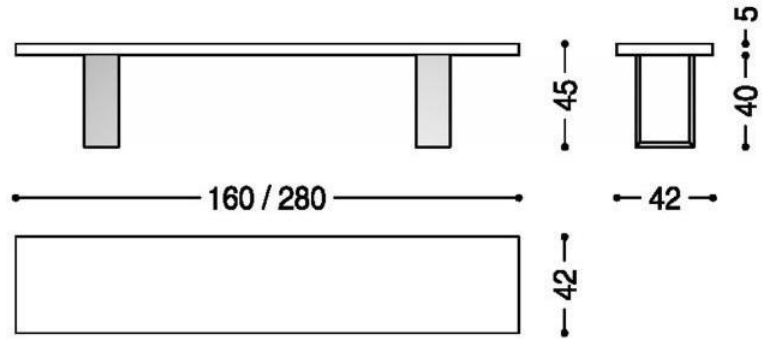
# NEWTON BENCH

SKU:RIMO20-402-NEWTON BENCH

Bench made from a hardwood seat with glued slats with square edges that matches the iron legs with exposed soldering. Also available with back in wood. Finish: base of oil / natural wax of vegetable origin with pine extracts.



Bench Sizes:  
63"/110.25"W x 16.5"D x 17.75"H



Diagrams above are shown in centimeters:  
160/280W x 42D x 45H

WOOD AND FINISHES



VULCANO OAK



WHITENED OAK  
WITH KNOTS WAX



ASH GREY  
PIGMENTED OAK  
WITH KNOTS



WHITE MILK  
PIGMENTED OAK  
WITH KNOTS



OAK WITH KNOTS



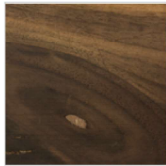
ELM



OAK



WALNUT



WALNUT WITH  
KNOTS



CHERRYWOOD, OIL



CEDAR VULCANO



MAPLE

METAL AND FINISHES



TITANIUM, MATT  
BRUSHED EFFECT



AGED COPPER, MATT  
BRUSHED EFFECT



AGED BRONZE, MATT  
BRUSHED EFFECT



STAINLESS STEEL,  
MATT BRUSHED  
EFFECT



RAL 3020 TRAFFIC  
RED



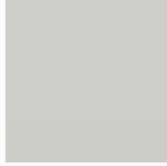
RAL 9005 JET BLACK



RAL 8019 GREY  
BROWN



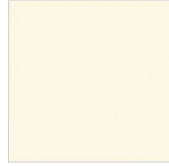
RAL 7037 DUSTY  
GREY



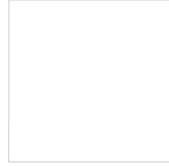
RAL 7035 LIGHT GREY



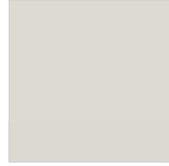
RAL 9016 TRAFFIC  
WHITE



RAL 9010 PURE  
WHITE



RAL 1013 OYSTER  
WHITE



RAL 9002 GREY  
WHITE



RAL 9001 CREAM  
WHITE



NATURAL IRON,  
OILED (STANDARD  
VERSION)



IRON "IRONDUST"  
LACQUERED