

# NEO+

Minimalism and purity of lines; Neo+ expresses avant-garde and technology through its materials and unique construction. It guarantees high performance and comfort. It is an executive chair, the result of a substantial improvement in the ergonomics of its backrest.

Neo+, evolves in terms of comfort and design thanks to the new padding of its backrest. A novelty that perfectly meets the need to improve the postural and ergonomic health of the chair without breaking the DNA of the collection.

The Neo+ collection, inspired by the purity of the straight line, is composed of a high and low chair and a cantilever model. It is the best solution to create calm and modern spaces.

SELF-WEIGHING  
MECHANISM

HOLLOW  
WHEELS

MADE IN THE  
EUROPEAN UNION



**01.**

**Backrest**

Interior in steel tube structure covered with fireproof foam (UNE EN 10212/06 / BS-5852/06) of high density polyurethane foam of 60 kg/m<sup>3</sup> (EN ISO 845).

**02.**

**Seat**

Interior in beech plywood (MQ cert. 07-175), covered with fireproof foam (UNE EN 1021-2/06 / BS-5852/06) of high density expanded polyurethane 60 kg/m<sup>3</sup> (EN ISO 845).



**04.**

**Gas column, bases and wheels**

- Lifting using a class 3 black gas column (UNI 9084/02), tested for users weighing up to 120 kg.
  - Polished aluminum base 70 cm diameter (ANSI-BIFMA X5.1-2011/7).
  - Black nylon base of 68 cm diameter.
  - Double wheels of 65 mm diameter with soft ABS plastic band, hollow design and with a black polyurethane base.
- The base connection bolt has a circular nylon ring to prevent noise when used on metal or aluminum bases.
- Optional: Anti-slip gliders in black nylon.



**03.**

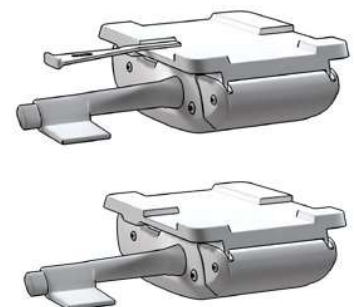
**Self-weighting synchro-displacement mechanism / synchro (BS 5459 part 2/00 A.5.5 / ANSI BIFMA x5.1-2011/5/6/10)**

The synchro mechanism allows the seat and backrest to tilt synchronously with the central axis of the chair, but independently for models that are not monocoque. Thus, it is possible to adjust the degree of inclination of the backrest and seat.

The sliding system also has 5 different positions to adapt the depth of the sitting position and a translation of 6 cm.

Characteristics of this system are the following:

- Up to 20° of backrest inclination, with 5 locking positions by button.
- Up to 6° of seat inclination, which is the working position 0°.
- Self-weighting function from 65 to 150 kg.



**05.**

Armrests (optional)



- BR02/BR23: Height adjustable, black or white polypropylene injection molded. Black polyurethane injection molded armrests.

1. Height adjustment 11 cm, with 10 locking positions.



-BR03: 3D, black polypropylene injection. Armrests in black polyurethane injection.

1. Height adjustment 11 cm, with 10 locking positions.  
2. Multi-position adjustment of the armrest It can be slid 19 cm forward and backward, and 6 cm to the side, and can adopt any position between these measurements.



-BR04: 4D, black polypropylene injection. Polyurethane armrests.

1. Height adjustment 7 cm, with 6 locking positions.  
2. Armrest depth adjustment, 3 cm in each direction.  
3. Rotation of the armrest, 30° maximum in each direction.  
4. width adjustment between the armrests, up to 3 cm in each direction.



-BR20: Fixed in steel with rectangular shape of 40 mm x 6 mm section, chrome plated from 12 to 15 microns thick. Upholstered armrests with wooden interior covered with flexible high density polyurethane foam (hard) 30 kg/m³ (EN ISO 845 / BS 5852/10).



-BR24: Fixed, in aluminum injection. Armrests in black polypropylene.



**01.**

**Backrest**

Interior in steel tube structure covered with fireproof foam (UNE EN 10212/06 / BS-5852/06) of high density polyurethane foam of 60 kg/m<sup>3</sup> (EN ISO 845).

**02.**

**Seat**

Interior in beech plywood (MQ cert. 07-175), covered with fireproof foam (UNE EN 1021-2/06 / BS-5852/06) of high density expanded polyurethane 60 kg/m<sup>3</sup> (EN ISO 845).

**03.**

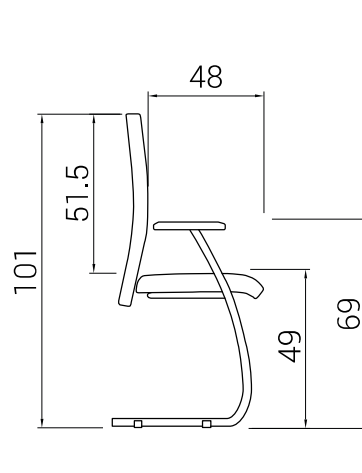
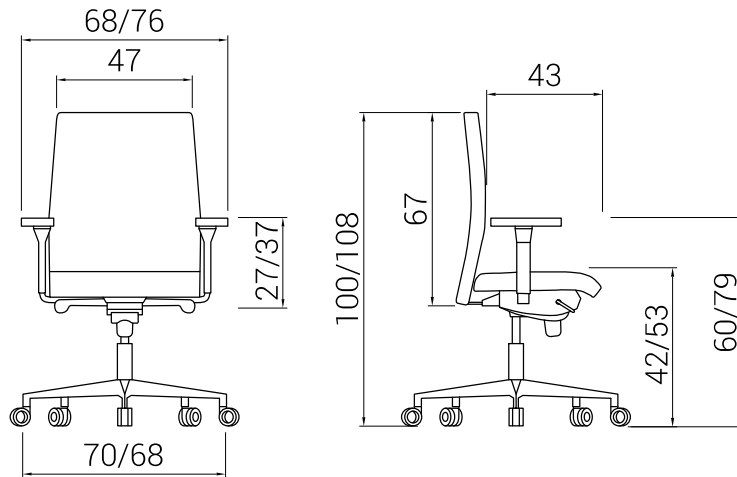
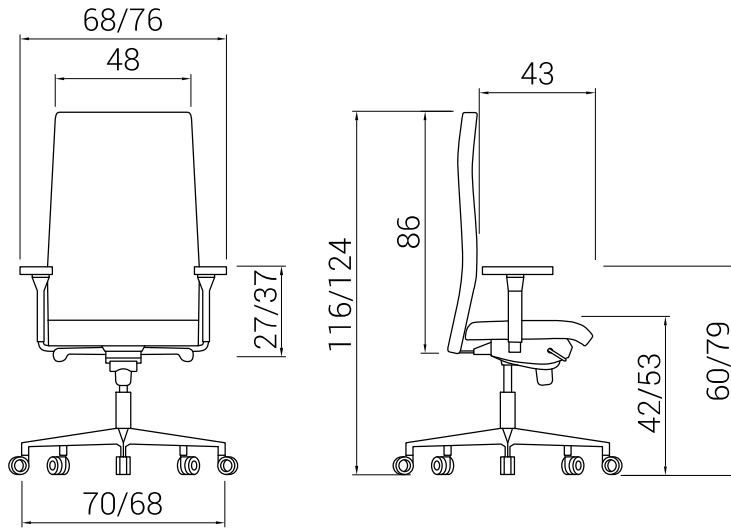
**Structure**

Steel tube with square section, side 15 mm and 1.5 mm thick, chrome plated from 12 to 15 microns thick. Fixed polyurethane armrest.



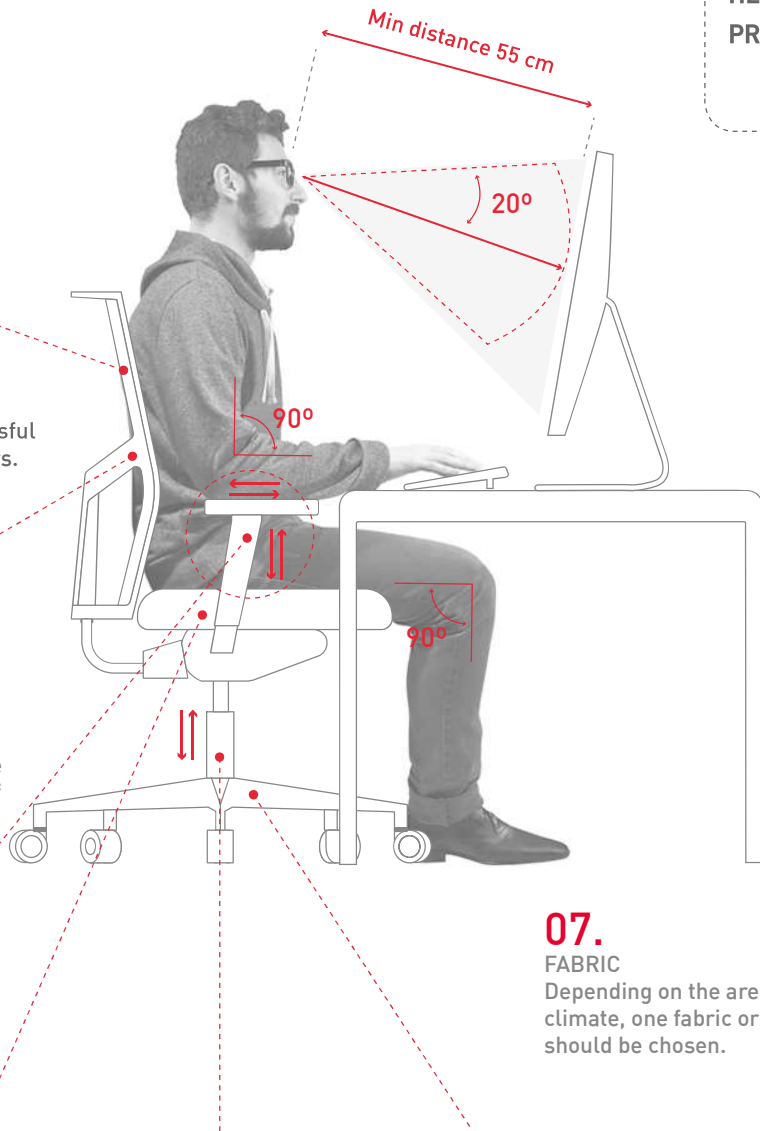
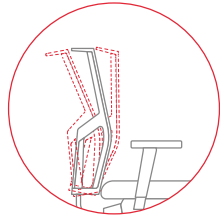
Chrome





# DILE ERGONOMICS

**GOOD POSTURE  
IS ESSENTIAL  
TO AVOID  
HEALTH  
PROBLEMS**



**01.**  
**THE INCLINATION OF THE SEAT  
AND THE BACKREST**  
A synchronized movement of the seat and backrest, configure a very successful solution for long working or study days.

**02.**  
**LUMBAR ADJUSTMENT**  
The backrest must provide good support for the entire back and be adapted to the lumbar part. The lumbar adjustment mechanism allows the curvature of the chair to be adjusted according to the curvature of the user's back for better support.

**03.**  
**ADJUSTABLE ARMRESTS**  
The forearms should be parallel to the work surface and form a right angle with the arm.

**04.**  
**THE STRENGTH OF THE SEAT**  
The seat must offer firmness and adaptation to the user's physiognomy.

**05.**  
**CHAIR HEIGHT ADJUSTMENT**  
The possibility of adjusting the height allows for the correct posture, with the feet comfortably resting on the floor and the legs in a horizontal position.

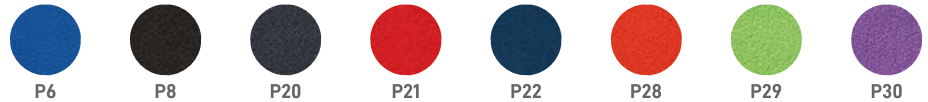
**07.**  
**FABRIC**  
Depending on the area of use and climate, one fabric or another should be chosen.

**06.**  
**BASES**  
The base of the chair should have 5 points of support for the wheels on the ground, to facilitate their movement with minimal effort.

**“Don't forget to take a break to stretch and move around regularly”**

01

BALI (Go1)



02

POLYESTER (Go1)



03

GOYA (Go1)



04

TOUCH LEATHER (Go1)



05

COMBI (Go1)



06

OCEAN (Go2)



07

ELASTIKA FR (Go2)



08

ORUGA (Go2)



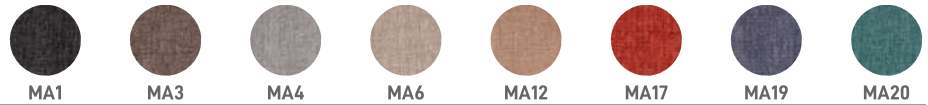
09

NILO (Go2)



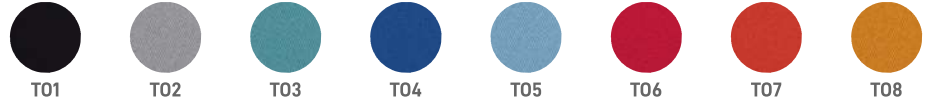
10

MADISON (Go2)



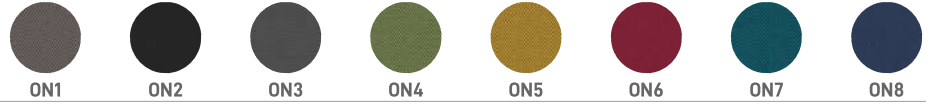
11

TONAL (Go2)



12

ONE (Go2)



13

VALENCIA (Go3)



14

DEKORA (Go3)



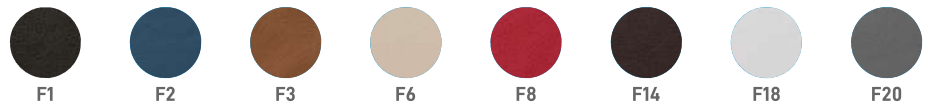
15

FELICITY (Go3)



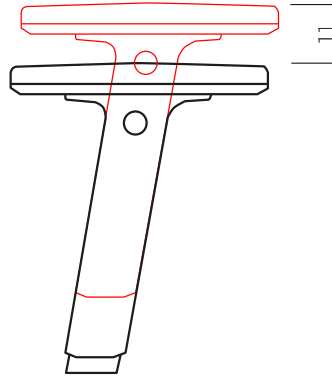
16

LEATHER (Go4)



# 1. Arms

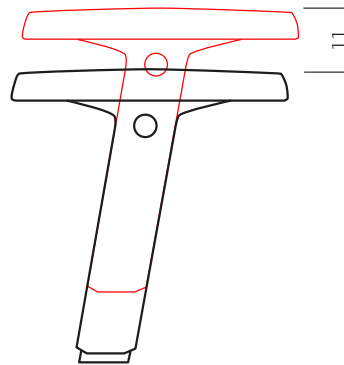
## BR02/BR23



### HEIGHT ADJUSTMENT

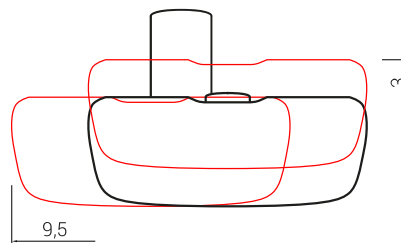
Press the button on the armrest (arrow) and without releasing it, adjust the height of the armrest. Once in the desired position, release the button.

## BR03



### ADJUSTING THE HEIGHT

Press the button on the armrest (arrow) and without releasing it, adjust the height of the armrest. Once in the desired position, release the button.

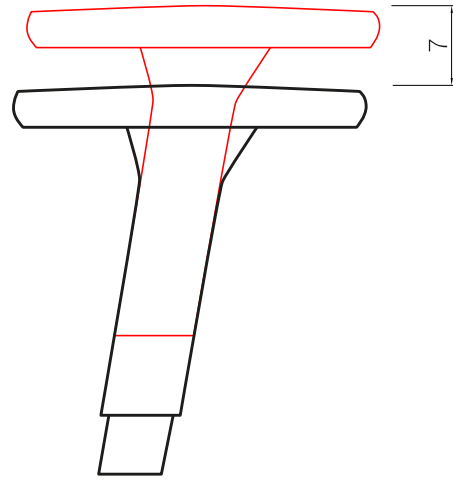


### MULTI-POSITION ADJUSTMENT

Press the armrest button (arrow) and, without releasing it, adjust the position of the armrest both lengthwise and widthwise. Once in the desired position, release the button. It moves in each direction by 9.5 cm lengthwise and 3 cm widthwise.

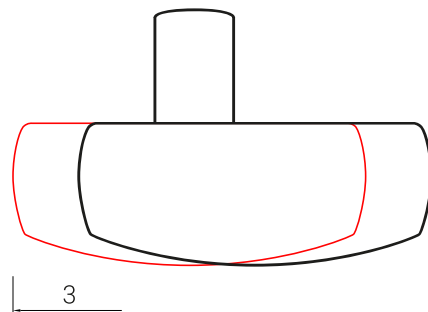


BR04



**HEIGHT ADJUSTMENT**

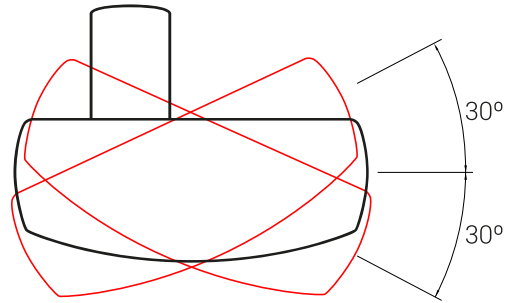
Press the button on the armrest (arrow) and without releasing it, adjust the height of the armrest. Once in the desired position, release the button.



**ADJUSTING THE DEPTH OF THE ARMREST**

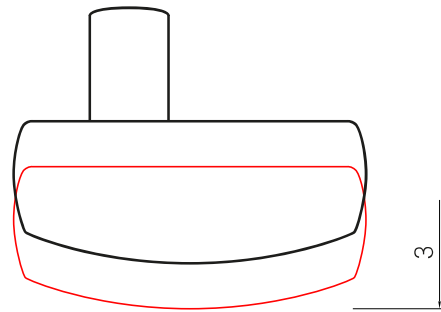
By pressing firmly on the armrest, the armrest is pushed forward or backward to the desired position. It moves 3 cm in each direction.

BR04



**ARMREST ROTATION**

By pressing firmly on the armrest, a force is produced by turning the armrest inward or outward until it is in the desired position.

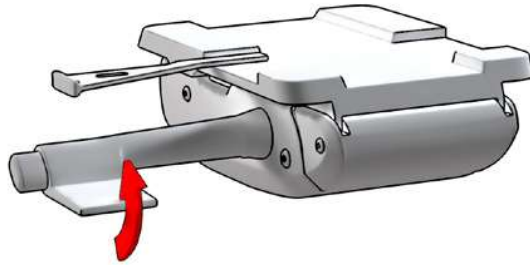


**ARMREST WIDTH ADJUSTMENT**

Loosen the screw on the armrest. Move the armrest to the desired position. Tighten the lower screw.

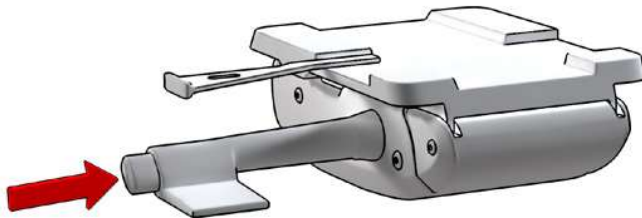
## 2. Mechanism

### SYNCHRO-SLIDE MECHANISM



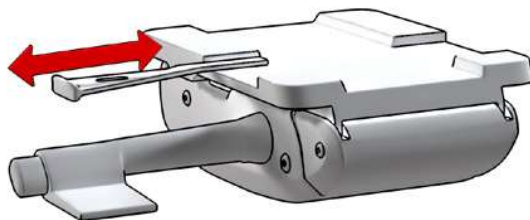
#### GAS LIFT

By lifting the handle we unlock the gas column. Without weight the chair lifts up. With the user seated, the chair goes down. Once the handle is released, the gas column is blocked again.



#### ADJUSTMENT FOR SEAT/BACKREST INCLINATION (SYNCHRO)

At the end of the gas lift handle there is a button. By pressing it, we release the synchro device, which allows, with the user seated, to modify the angle of the seat and backrest inclination in a synchronized way. By releasing the button, the seat and backrest are fixed in the desired position. To unlock it, press the button and use your back to exert weight.



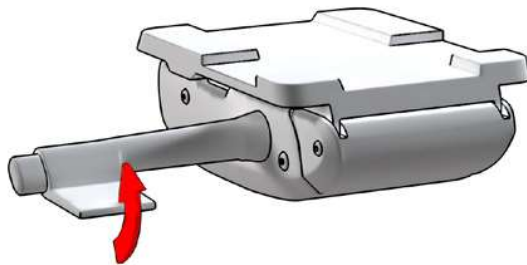
#### ADJUSTING THE SLIDING OF THE SEAT (SLIDING SYSTEM)

Pressing the handle releases the seat slider. Once moved to the desired position, we pull out leaving the handle in the initial position, and fixing the position of the seat.

**IMPORTANT:** Do not move the handle forward or backward, damage may be caused.

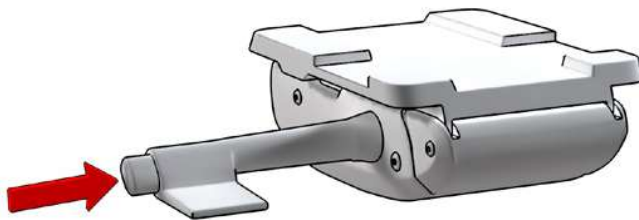
## SYNCHRO MECHANISM

[www.mondocontract.com](http://www.mondocontract.com) | [quotes@mondocontract.com](mailto:quotes@mondocontract.com)



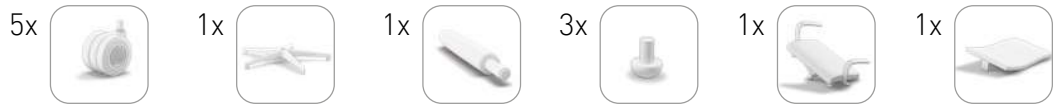
### GAS LIFT

By lifting the handle we unlock the gas column. Without weight the chair lifts up. With the user seated, the chair goes down. Once the handle is released, the gas column is blocked again.

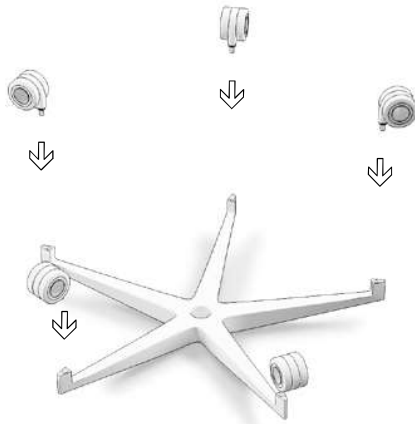


### ADJUSTMENT FOR SEAT/BACKREST INCLINATION (SYNCHRO)

At the end of the gas lift handle there is a button. By pressing it, we release the synchro device, which allows, with the user seated, to modify the angle of the seat and backrest inclination in a synchronized way. By releasing the button, the seat and backrest are fixed in the desired position. To unlock it, press the button and use your back to exert weight.



1.



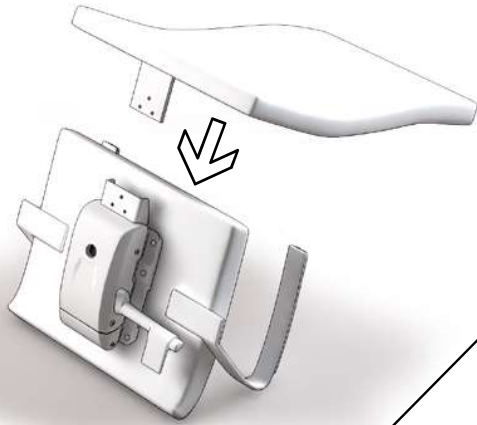
2.



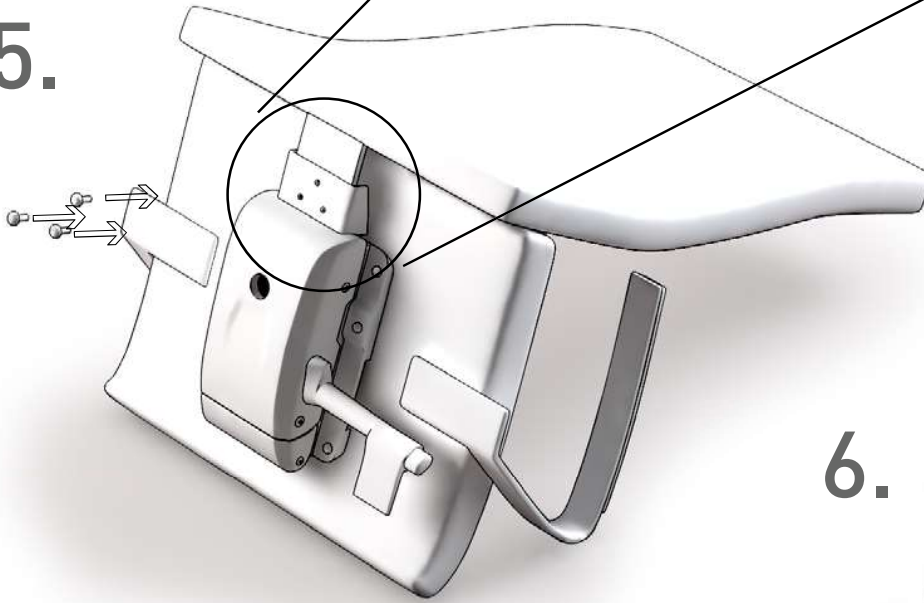
3.



4.



5.



6.

