



Elegant armchair born to be a classic.

The studied dimensions and the subtle steel structure (available in two versions, fix or rocking), make NAGI a new icon in the VICCARBE collection.

Very comfortable thanks to its generously high back that supports the user's head and elegant arms that are perfect to rest on while reading or working.

TOMOYA TABUCHI



Tomoya Tabuchi, born in 1974, graduated in living design at Kuwasawa Design School in 1997.

After working at Japanese furniture firm on the planning, designing original products, developing products designed by overseas designers, he became independent in 2010.

In 2011, Tee table was debuted from INTERIORS(Japanese firm www.interiors-inc.jp) as his first design after independence.

His activity includes designed products, graphic design and art direction.

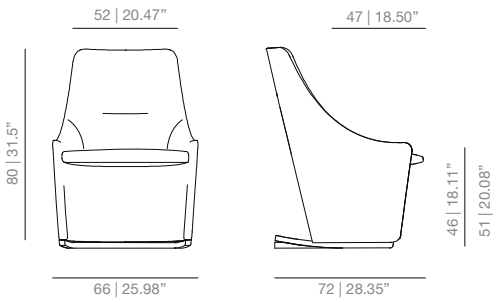
Awards.

2007 Premio Vico Magistretti , shortlist for prize
2012 ELLE DECOR Young Japanese Design Talent
2014 Good Design Award / Japanese Furniture Selection " TWIG "

DIMENSIONS

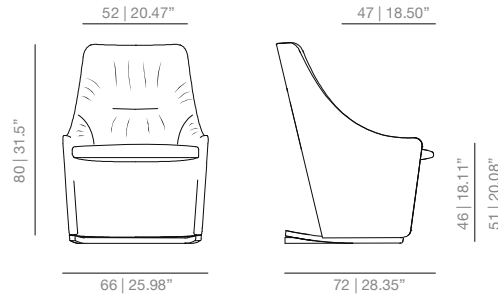
NAGIB low fixed armchair smooth upholstery
SKU:VIMOB-402-NAGIB

NAGIBSM low rocking armchair smooth upholstery
SKU:VIMOB-402-NAGIBSM



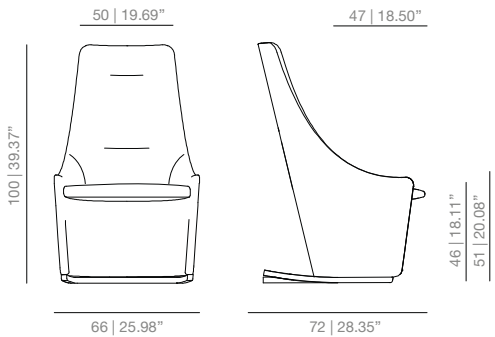
NAGIBS low fixed armchair soft upholstery
SKU:VIMOB-402-NAGIBS

NAGIBSM low rocking armchair soft upholstery
SKU:VIMOB-402-NAGIBSM



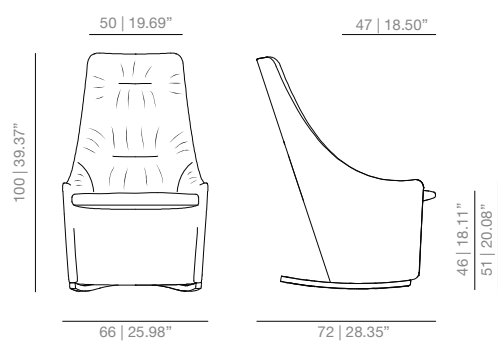
NAGI high fixed armchair smooth upholstery
SKU:VIMOB-402-NAGI

NAGIM high rocking armchair smooth upholstery
SKU:VIMOB-402-NAGIM



NAGIS high fixed armchair soft upholstery
SKU:VIMOB-402-NAGIS

NAGISM high rocking armchair soft upholstery
SKU:VIMOB-402-NAGISM



TECHNICAL INFO

1. Internal structure of steel tubing covered with foam and rigid molded polyurethane.
2. Base calibrated steel lacquered polyester thermoreinforced.
3. The rocking chair or fixed chair options are made with calibrated steel powder coated in thermoreinforced polyester in black, white, fluorescent orange and altea blue.
4. Fixed upholstery.

FINISHES

UNPHOLSTERY

Check upholstery samples

STRUCTURE

Lacquered



white
RAL 9003



black
RAL 9005



altea blue
RAL 5000



fluorescent orange
RAL 2005

CERTIFICATES

UNE EN 16139:13





PROJECTS

Auditorio y Palacio de Congresos de Castellón