

MILOS OUTDOOR COLLECTION

SKU:VOMOOM-701-MILOS

Milos wood lounge chair

by Jean-Marie Massaud

The Milos collection is an example of how simplicity and functionality can be combined to create an elegant and comfortable outdoor furniture collection. Characterised by soft curves, this collection focuses on comfort.

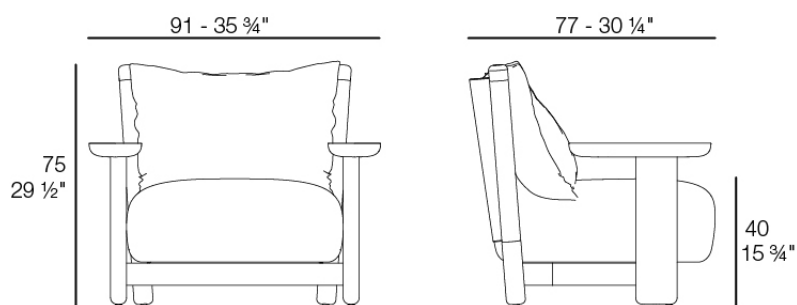
A collection that won the Red Dot Design Award 2024.



Description

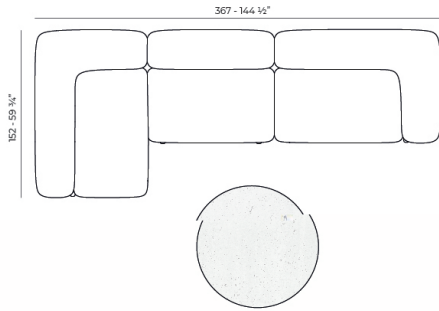
The lounge chair is a true example of Massaud's excellence in the world of design. In its creation, it fuses the versatility of flexible polyurethane foam with the inherent elegance of iroko wood.

Weight: 25 Kg



MILOS Butaca Madera
MILOS Wood Armchair
Ref. 70001

Combinations



2 x 70003 Sofá Brazo izquierdo XL - Sectional Sofa Left XL
1 x 70004 Sofá Módulo Central M - Sectional Sofa Armless M
1 x 70015 Mesa Centro D110 - Low Table D 43 1/4"

Milos modular sofa

by Jean-Marie Massaud

The Milos collection is an example of how simplicity and functionality can be combined to create an elegant and comfortable outdoor furniture collection. Characterised by soft curves, this collection focuses on comfort.

A collection that won the Red Dot Design Award 2024.

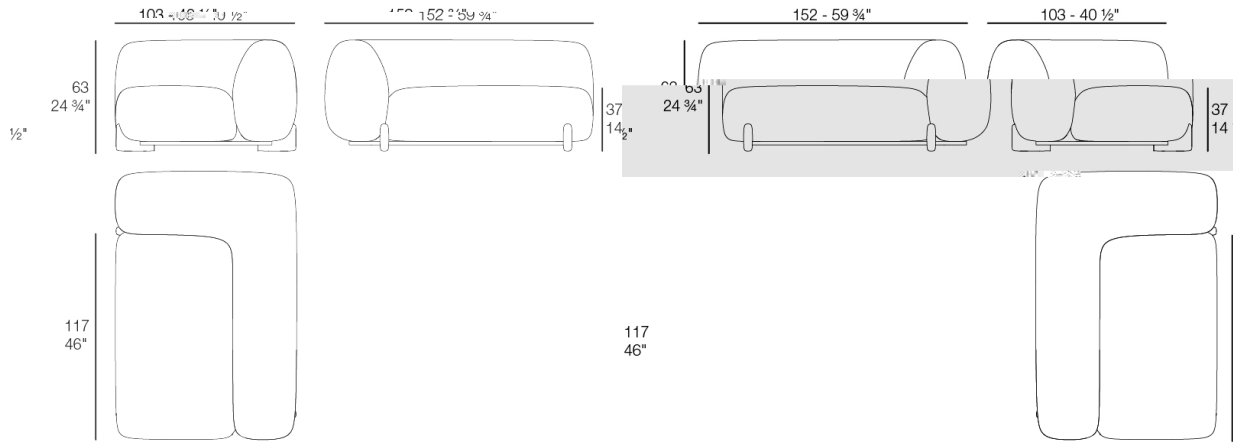


Description

This modular sofa combines the durability of flexible polyurethane foam with the natural beauty of iroko wood.

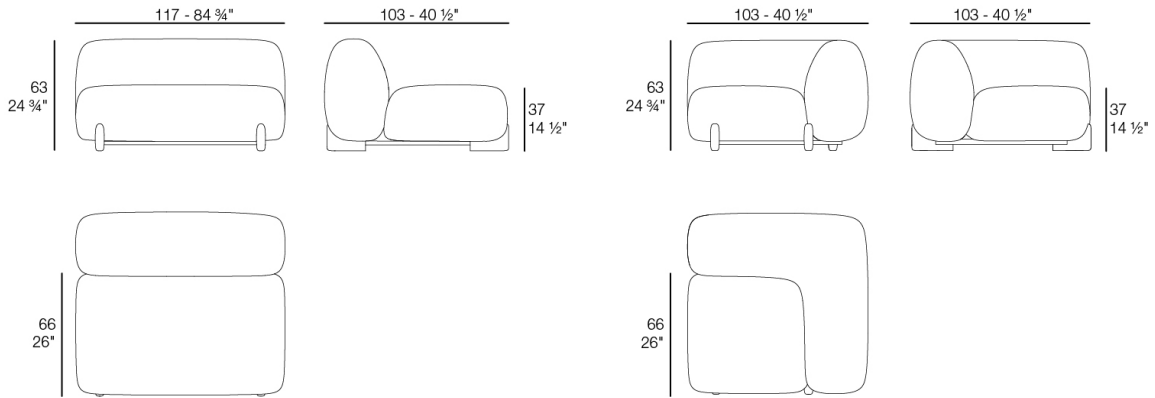
Its design integrates top-quality solutions and materials, especially conceived to withstand outdoor conditions without compromising warmth and comfort.

Modules



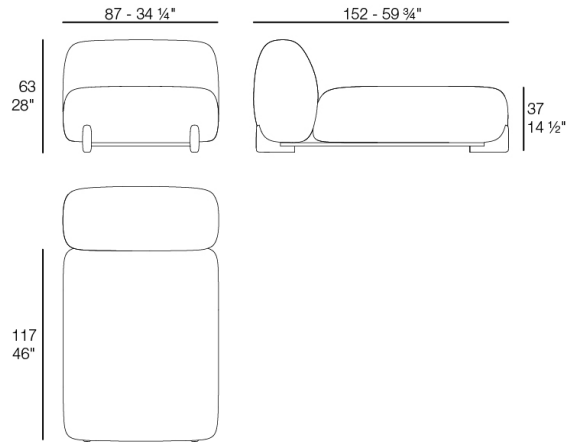
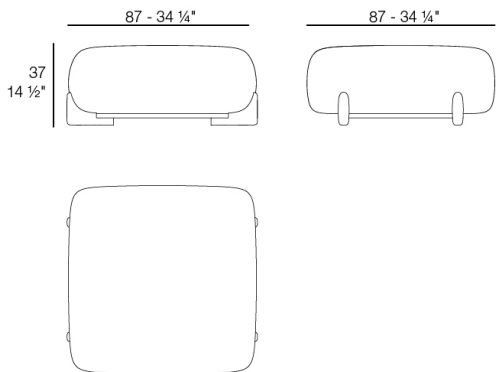
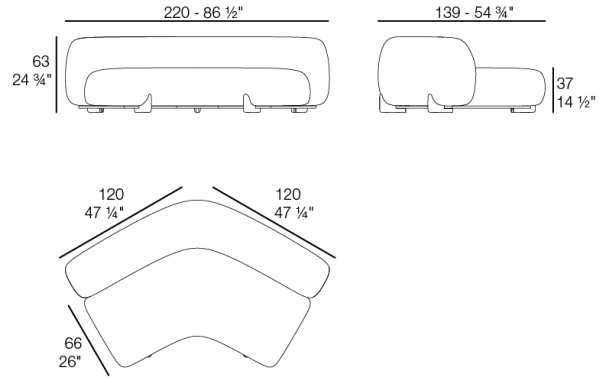
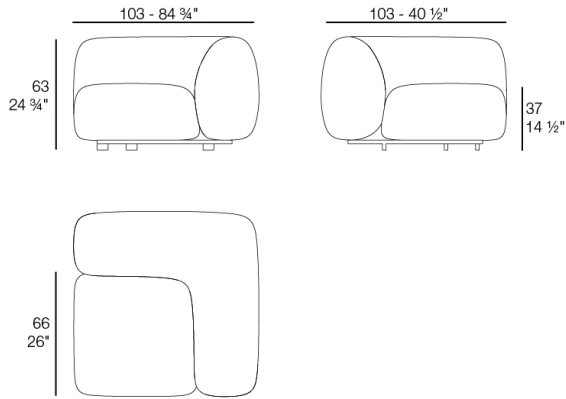
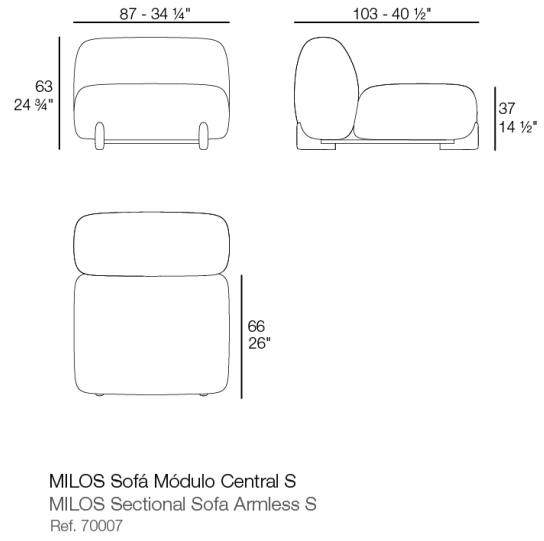
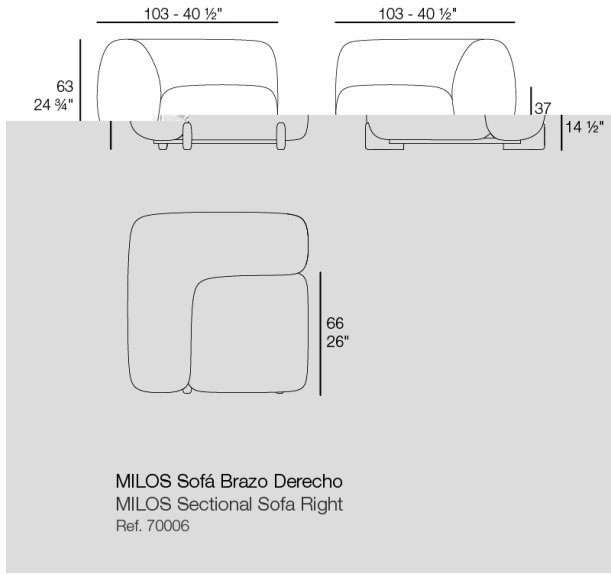
MILOS Sofá Brazo Derecho XL
MILOS Sectional Sofa Right XL
Ref. 70002

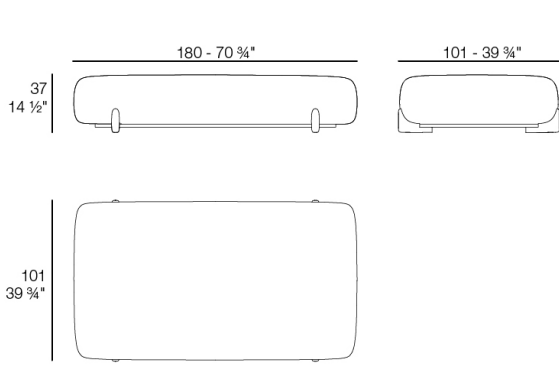
MILOS Sofá Brazo Izquierdo XL
MILOS Sectional Sofa Left XL
Ref. 70003



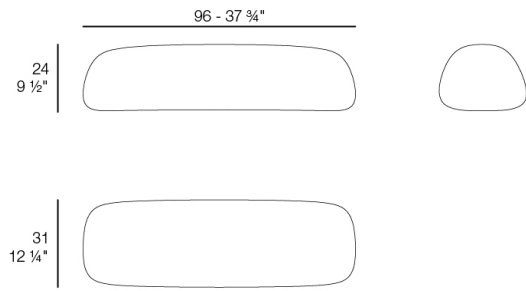
MILOS Sofá Módulo Central M
MILOS Sectional Sofa Armless M
Ref. 70004

MILOS Sofá Brazo Izquierdo
MILOS Sectional Sofa Left
Ref. 70005

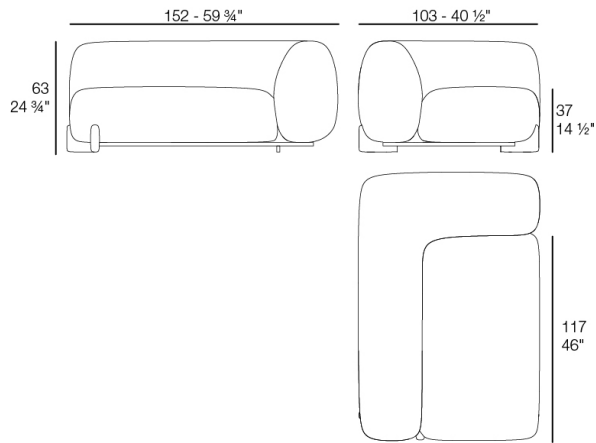




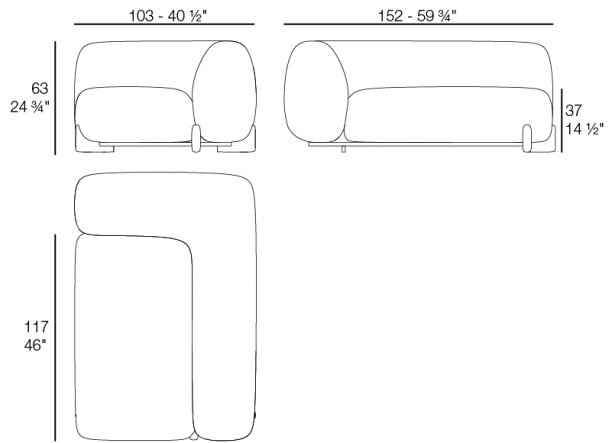
MILOS Puff XL
MILOS Puff XL
Ref. 70014



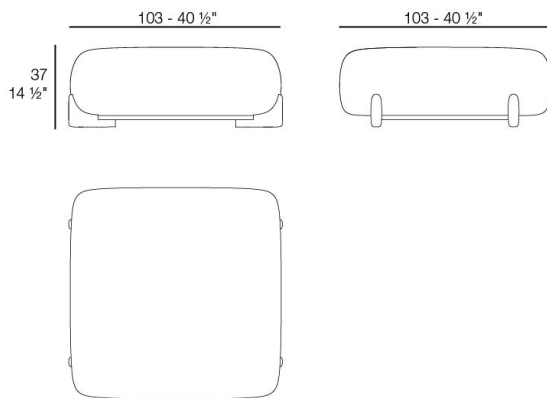
MILOS Respaldo Movable
MILOS Movable Backrest Sofa
Ref. 70014RCO



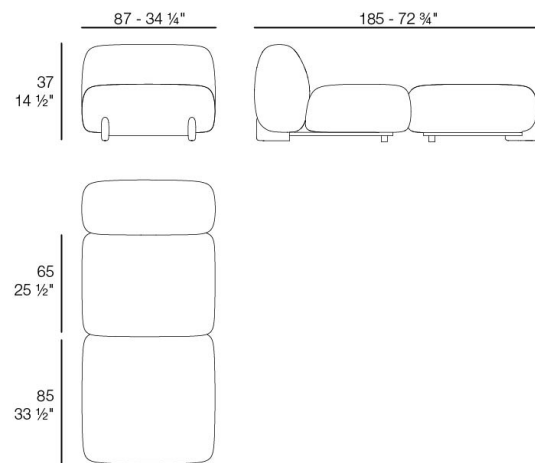
MILOS Sofá Chaiselounge Derecha
MILOS Sectional Sofa Chaiselounge Right
Ref. 70027



MILOS Sofá Chaiselounge Izquierda
MILOS Sectional Sofa Chaiselounge Left
Ref. 70028

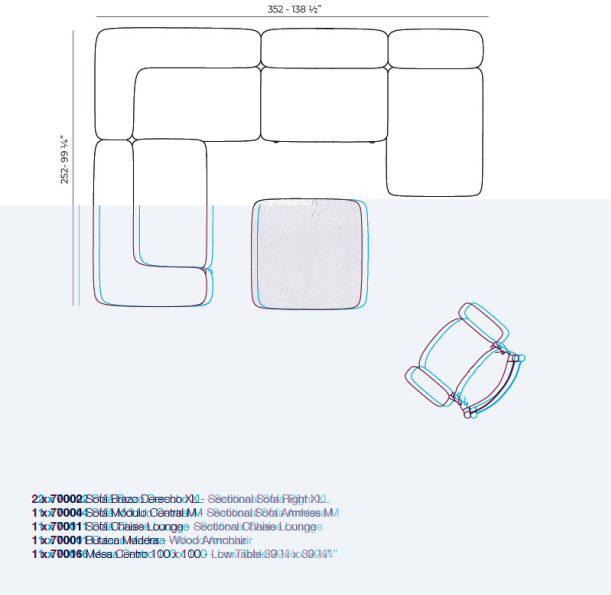
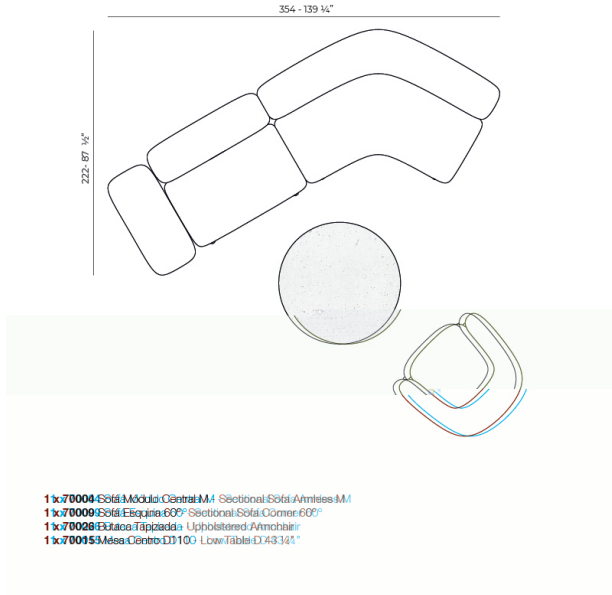
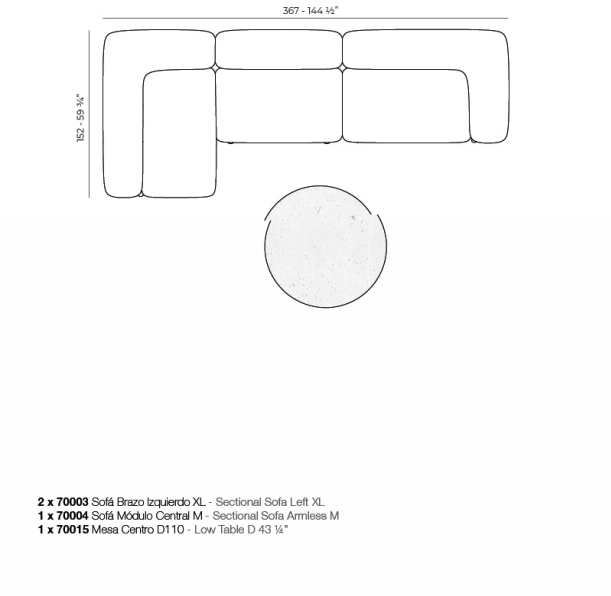
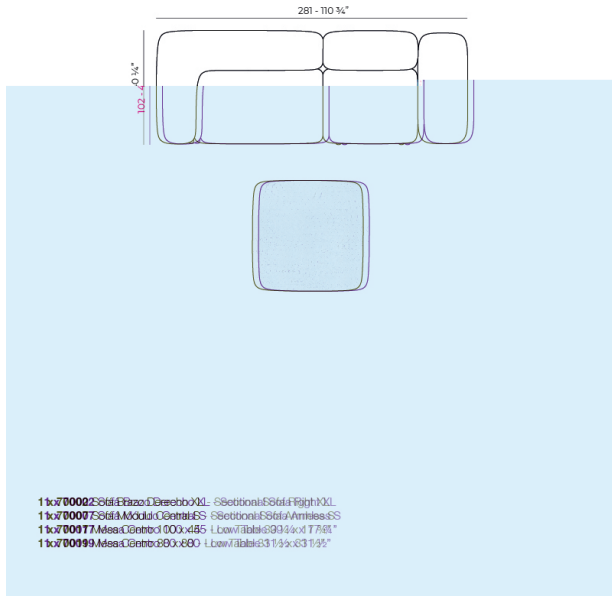


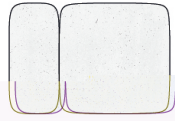
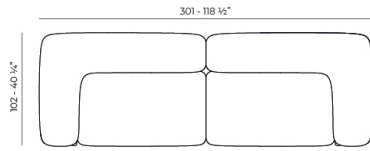
MILOS Puff M
MILOS Ottoman M
Ref. 70029



MILOS Divan
MILOS Divan
Ref. 70030

Combinations





- 1 x 70002 Sofá Brazo Derecho XL - Sectional Sofa Right XL
- 1 x 70003 Sofá Brazo izquierdo XL - Sectional Sofa Left XL
- 2 x 70026 Sillaca Tapizada - Upholstered Armchair
- 1 x 70016 Mesa Centro 100 x 100 - Low Table 39 1/4 x 39 1/4"
- 1 x 70017 Mesa Centro 100 x 45 - Low Table 39 1/4 x 17 3/4"

Milos daybed

by Jean-Marie Massaud

The Milos collection is an example of how simplicity and functionality can be combined to create an elegant and comfortable outdoor furniture collection. Characterised by soft curves, this collection focuses on comfort.

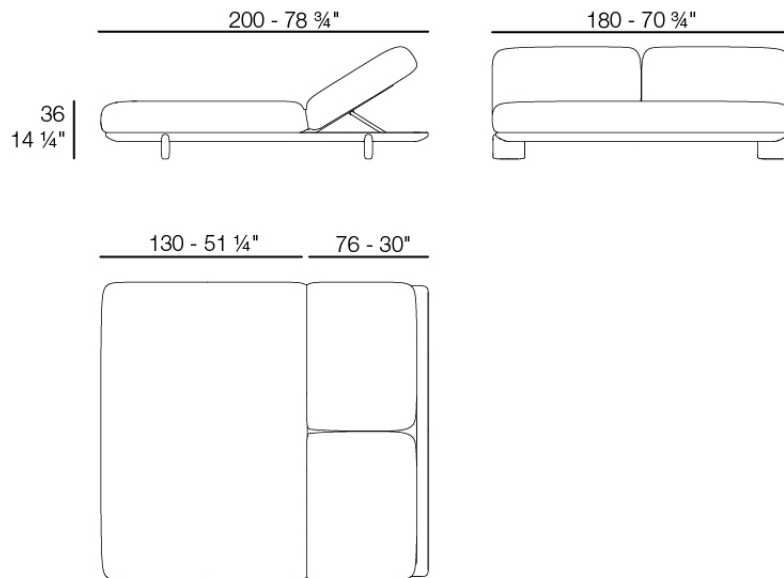


Description

The Milos collection daybed combines functionality and beauty in perfect harmony. Precision crafted, it features a lacquered aluminium frame that ensures exceptional resistance to outdoor conditions,

while its elegant iroko wood legs add a touch of warmth and sophistication, providing stability and a connection to nature.

Weight: 80.25 Kg



MILOS Daybed
MILOS Daybed
Ref. 70012

Milos sun lounger

by Jean-Marie Massaud

The Milos collection is an example of how simplicity and functionality can be combined to create an elegant and comfortable outdoor furniture collection. Characterised by soft curves, this collection focuses on comfort.

A collection that won the Red Dot Design Award 2024.

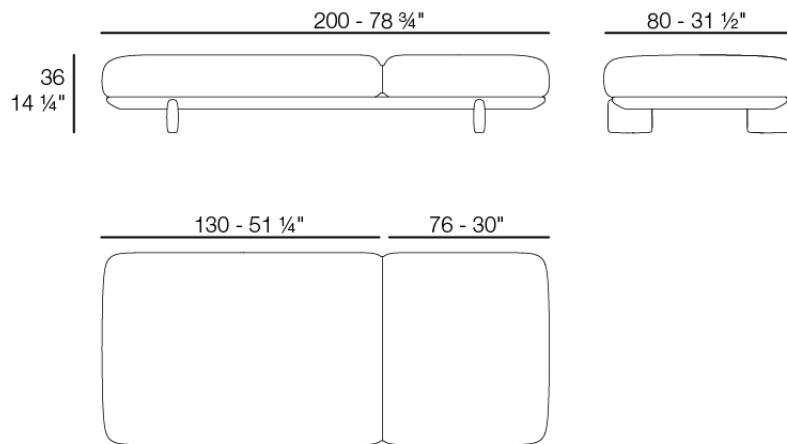


Description

The sun lounger from the Milos collection harmoniously combines functionality and beauty. Precision manufactured, this sun lounger features a lacquered aluminium structure that ensures exceptional resistance to outdoor conditions.

Its iroko wood legs add a touch of elegance and warmth, while providing stability and a connection to nature.

Weight: 33 Kg



MILOS Tumbona
MILOS Sun Chaise
Ref. 70013

Milos upholstered lounge chair

by Jean-Marie Massaud

The Milos collection is an example of how simplicity and functionality can be combined to create an elegant and comfortable outdoor furniture collection. Characterised by soft curves, this collection focuses on comfort.

A collection that won the Red Dot Design Award 2024.

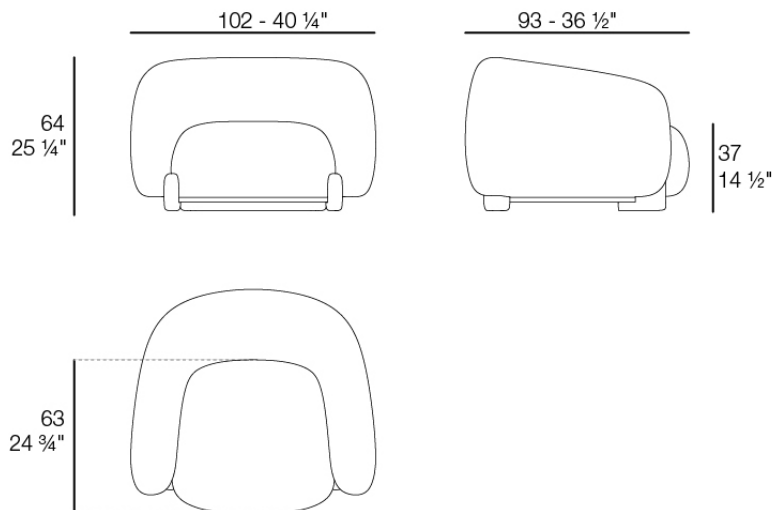


Description

The lounge chair is a true example of Massaud's excellence in the world of design. In its creation, it fuses the versatility of flexible polyurethane foam with the inherent elegance of iroko wood in its legs.

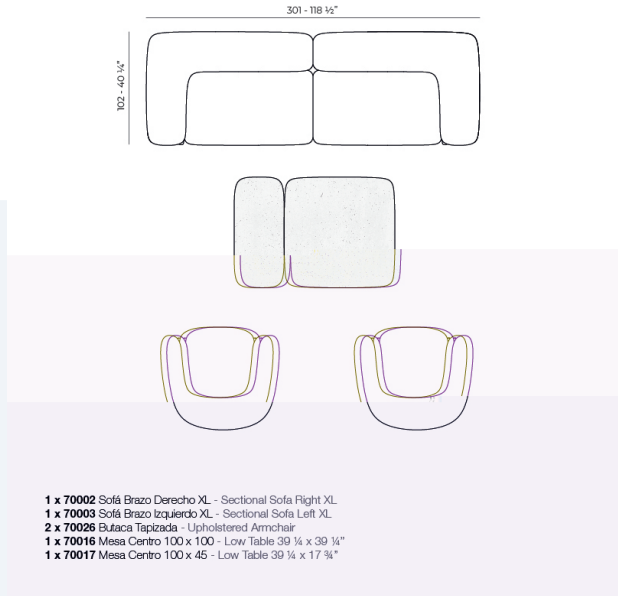
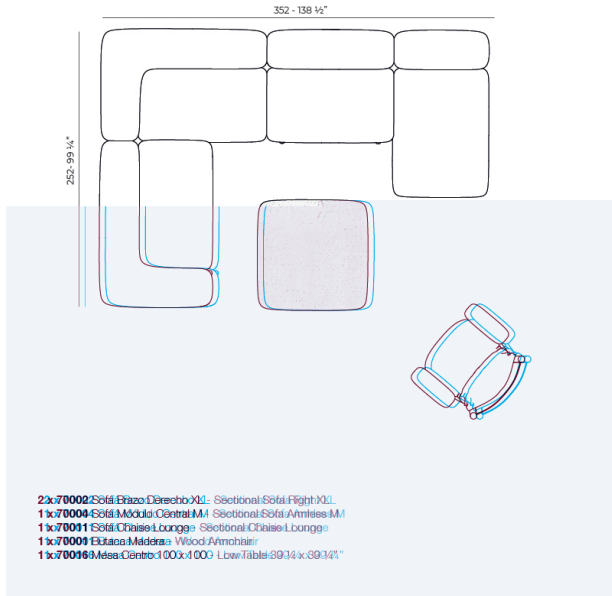
This design integrates the highest quality solutions and materials, adapted to withstand outdoor conditions, without compromising the cosy warmth and comfort expected of an indoor armchair.

Weight: 46 Kg



MILOS Butaca Tapizada
MILOS Upholstered Armchair
Ref. 70026

Combinations



Milos coffee table

by Jean-Marie Massaud

The Milos collection is an example of how simplicity and functionality can be combined to create an elegant and comfortable outdoor furniture collection. Characterised by soft curves, this collection focuses on comfort.

A collection that won the Red Dot Design Award 2024.

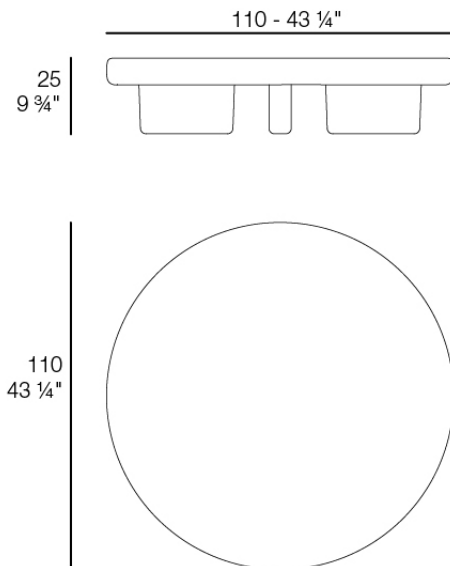


Description

The coffee tables represent the essence of the Mediterranean lounge style of the Milos collection. These tables are manufactured, featuring a cement surface available in different finishes.

They stand out for their iroko wood legs, which not only add a touch of warmth and sophistication, but also ensure the stability and connection with nature that is characteristic of Milos.

Weight: 68.8 Kg



MILOS Mesa Centro D110
MILOS Low Table D 43 1/4"
Ref. 70015

Milos coffee table

by Jean-Marie Massaud

The Milos collection is an example of how simplicity and functionality can be combined to create an elegant and comfortable outdoor furniture collection. Characterised by soft curves, this collection focuses on comfort.



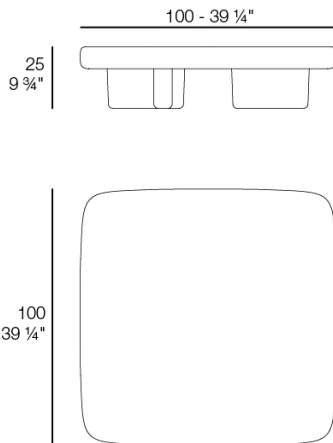
Description

The coffee tables represent the essence of the Mediterranean lounge style of the Milos collection. These tables are manufactured, featuring a cement surface available in different finishes.

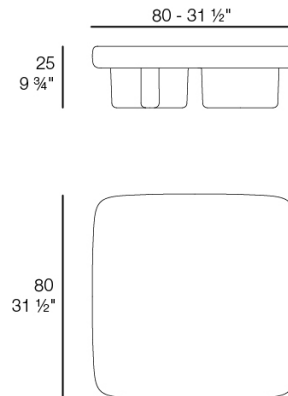
They stand out for their iroko wood legs, which not only add a touch of warmth and sophistication, but also ensure the stability and connection with nature that is characteristic of Milos.

Weight: 70 Kg

Weight: 35.8 Kg



MILOS Mesa Centro 100x100
MILOS Low Table 39 1/4 x 39 1/4"
Ref. 70016



MILOS Mesa Centro 80 x 80
MILOS Low Table 31 1/2 x 31 1/2"
Ref. 70019

Milos coffee table

by Jean-Marie Massaud

The Milos collection is an example of how simplicity and functionality can be combined to create an elegant and comfortable outdoor furniture collection. Characterised by soft curves, this collection focuses on comfort.

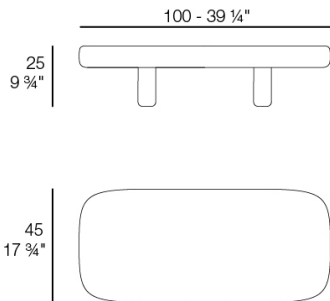


Description

The coffee tables represent the essence of the Mediterranean lounge style of the Milos collection. These tables are manufactured, featuring a cement surface available in different finishes.

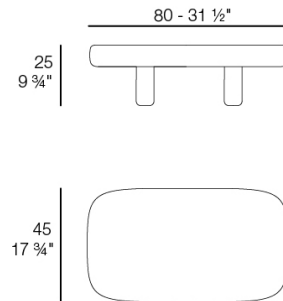
They stand out for their iroko wood legs, which not only add a touch of warmth and sophistication, but also ensure the stability and connection with nature that is characteristic of Milos.

Weight: 36.4 Kg



MILOS Mesa Centro 100 x 45
MILOS Low Table 39 1/4 x 17 3/4"
Ref. 70017

Weight: 30.4 Kg



MILOS Mesa Centro 80 x 45
MILOS Low Table 31 1/2 x 17 3/4"
Ref. 70018

Milos planters

by Jean-Marie Massaud

The Milos collection is an example of how simplicity and functionality can be combined to create an elegant and comfortable outdoor furniture collection. Characterised by soft curves, this collection focuses on comfort.

A collection that won the Red Dot Design Award 2024.

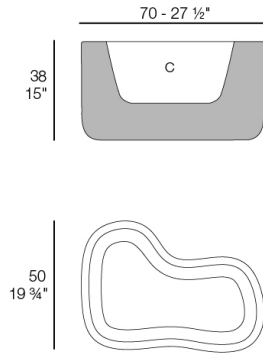


Description

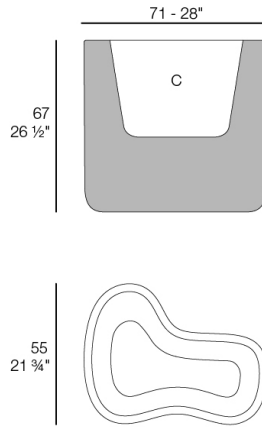
The planters in the Milos collection, designed by the acclaimed designer Jean-Marie Massaud, are made of polyethylene using the rotational moulding technique,

which guarantees exceptional strength and durability that is perfectly suited to the outdoor environment.

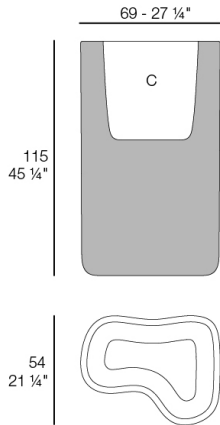
Modules



MILOS Maceta
MILOS Pot
C = 64x43x22 25¼"x17"x8¾"
33 L
8 ¾ Gal
Ref. 70020



MILOS Maceta
MILOS Pot
C = 65x45x40 25¼"x17¾"x15¾"
50 L
13 ¼ Gal
Ref. 70021



MILOS Maceta
MILOS Pot
C = 62x47x46 24½"x18½"x18
54 L
14 ¼ Gal
Ref. 70022

Milos nano planters

by Jean-Marie Massaud

The Milos collection is an example of how simplicity and functionality can be combined to create an elegant and comfortable outdoor furniture collection. Characterised by soft curves, this collection focuses on comfort.

A collection that won the Red Dot Design Award 2024.

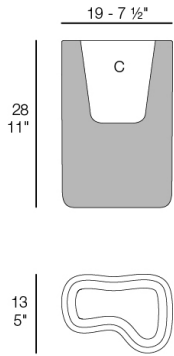


Description

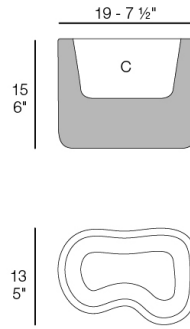
The planters in the Milos collection, designed by the acclaimed designer Jean-Marie Massaud, are made of polyethylene using the rotational moulding technique,

which guarantees exceptional strength and durability that is perfectly suited to the outdoor environment.

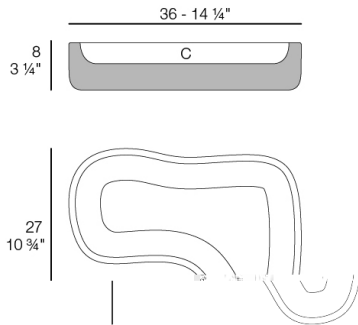
Modules



MILOS Maceta
MILOS Pot
C = 16x10x16 6¼"x4"x6¼"
1 L
¼ Gal
Ref. 70023



MILOS Maceta
MILOS Pot
C = 16x10x7 6¼"x4"x2¾"
1 L
¼ Gal
Ref. 70024



MILOS Maceta
MILOS Pot
C = 33x24x4 13"x9½"x1½"
2 L
½ Gal
Ref. 70025