

MEDUSA

Light, color, fun, joy and sea define its Mediterranean spirit. Medusa was created from the polyhedral and hypnotic essence of the mare nostrum, where shapes and textures evoke a seascape. Designed to feel free and enjoy every space.

Medusa adds to environments as a calm, yet sociable solution. It facilitates the connection between people. Playing with shapes that evoke the beauty of the Mediterranean sea. A magical sea that brings pleasant experiences and unique sensations.

A mix of organic and hypnotic shapes combined with sustainable upholstery in a symbiosis of nature. Imagine a stackable, flexible and mobile solution. Able to merge a wide variety of colors and infinite upholstery to play with.

Medusa allows easy removal for cleaning or playing with new upholstery.

Medusa is designed for easy stacking up to 4 units.

**EASY STACKING
UP TO 4 UNITS AND
EASY TRANSPORT**

**REMOVABLE
UPHOLSTERY**

**MADE IN THE
EUROPEAN UNION**



01.

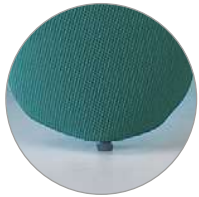
Seat

Internal structure in 10 mm diameter steel, with seat in 4 mm thick laser-cut steel sheet, covered with fireproof high density polyurethane foam of 60 kg/m³ (EN ISO 845). Lower cover in plywood.

02.

Glides and wheels

- Non-slip glides made of high density polyethylene in graphite.
- Double wheels of 36 mm diameter coated with thermoplastic polyurethane (TPU).



03.

Stackable and easy to transport

Medusa is designed for easy stacking up to 4 units. The wheels option makes it easy to transport.

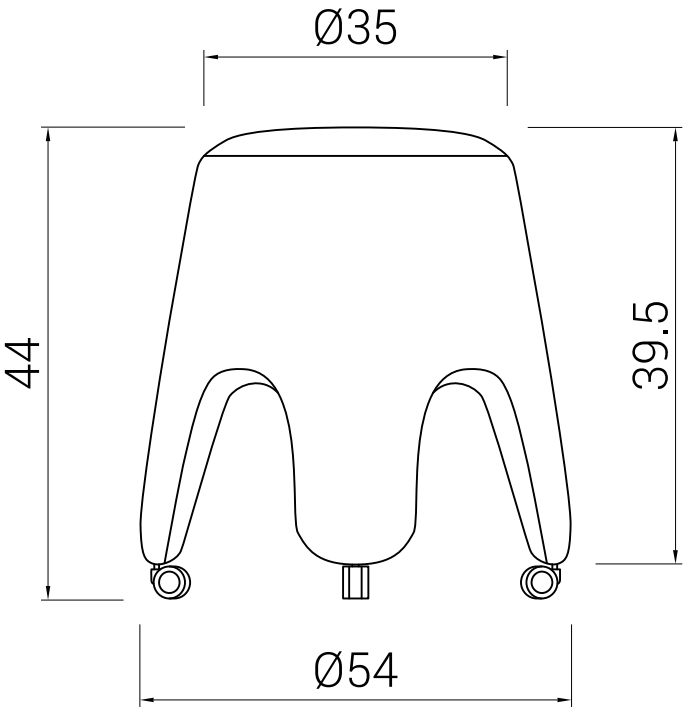
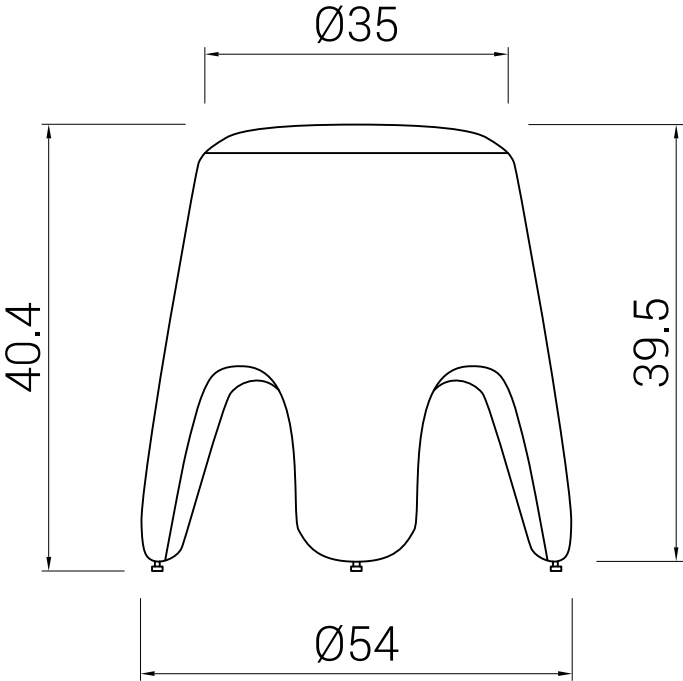


04.

Removable and interchangeable

Medusa allows easy removal for cleaning or playing with new upholstery.

MEDUSA
DIMENSIONS



MEDUSA SUSTAINABLE



99%

RECYCLABLE

- 49% Metal
- 1% Wood
- 2% Other plastic materials
- 48% Others

SEAT
Internal structure in steel, with seat in steel sheet, covered with fireproof high density polyurethane foam. Lower cover in plywood.



GLIDES AND WHEELS
- Non-slip glides made of high density polyethylene.
- Double wheels coated with polyurethane.

- ✓ 100% recyclable cardboard packaging, made from 90% recycled materials.
- ✓ Dileoffice is certified according to ISO 9001:2015, 14001:2015 and 14006:2020. All phases of the production process, from the receipt of components to the delivery of the finished product, are meticulously managed to minimise the impact on the environment.
- ✓ Dileoffice chairs are assessed by AIDIMEE to certify the compliance of each product with UNE EN standards.
- ✓ If it is necessary to replace the entire chair or any of its parts, the end customer will be informed of the recycling management of each element according to the composition of the materials.
- ✓ Transport is carried out by scheduled routes, giving priority to fuel savings. We use our own transport trucks, always trying to use the maximum volume, and minimising the volume in the packaging.

01

BALI (Go1)



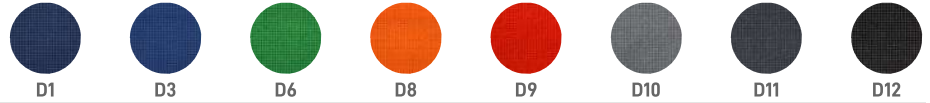
02

POLYESTER (Go1)



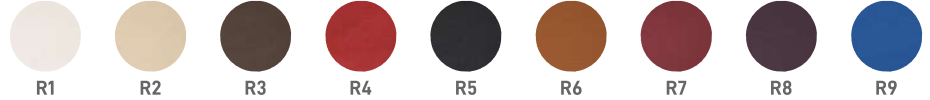
03

GOYA (Go1)



04

TOUCH LEATHER (Go1)



05

COMBI (Go1)



06

OCEAN (Go2)



07

ELASTIKA FR (Go2)



08

ORUGA (Go2)



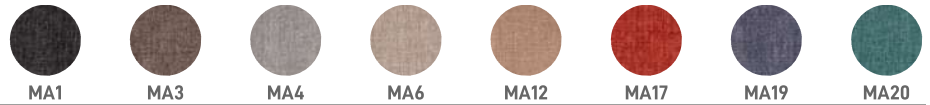
09

NILO (Go2)



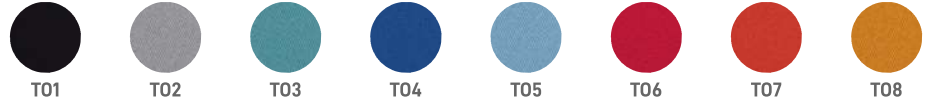
10

MADISON (Go2)



11

TONAL (Go2)



12

ONE (Go2)



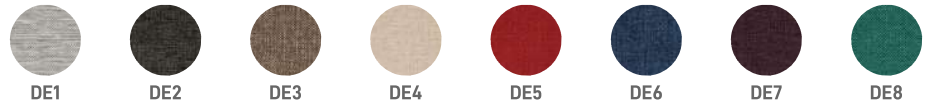
13

VALENCIA (Go3)



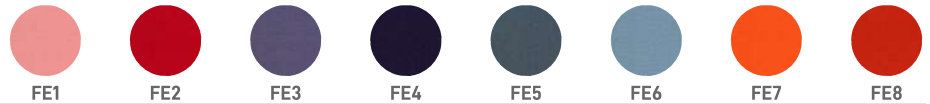
14

DEKORA (Go3)



15

FELICITY (Go3)



16

LEATHER (Go4)

