

MAUI ARMCHAIR

SKU:RIMO20-402-MAUI ARMCHAIR



Armchair made from a single block of scented cedar. A sculptured monolith with a curvy and sinuous design. It has an ergonomic seat in a continuous line with the back. Available with or without base with tubular legs and iron plate.

STANDARD VERSION FOR MODEL 47.05.2: BRUSHED NATURAL IRON BASE, LIGHT COLOUR, TRANSPARENT LACQUERED (B2), REVOLVING

CODE	SIZE
47.05.1	W.75 x D.75 x H.30/47
47.05.2	W.75 x D.75 x H.40/57

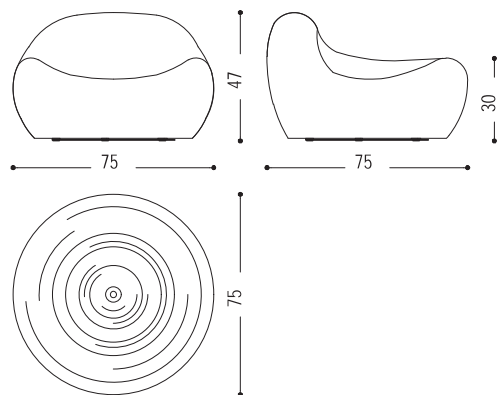
AVAILABLE FINISHES:

- A7: cedar
- A8: sandblasted cedar
- A9: cedar contract finish, vulcano cedar

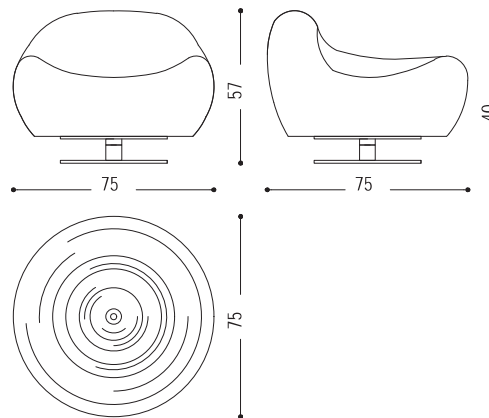
AVAILABLE FINISHES:

- B2: lacquered iron: matt transparent, iron dust, RAL (only selected colours)
- B3: lacquered iron matt brushed effect: aged copper, aged bronze, stainless steel, titanium
lacquered iron oxidised effect

47.05.1



47.05.2





AVAILABLE FINISHES:

A7: cedar

A8: sandblasted cedar

A9: cedar contract finish, vulcano cedar

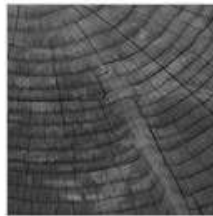
WOOD AND FINISHES



CEDARWOOD



**CEDAR CONTRACT
FINISH**



CEDAR OUTDOOR



CEDAR VULCANO

: AVAILABLE FINISHES

- B2:** lacquered iron: matt transparent, iron dust, RAL (only selected colours)
- B3:** lacquered iron matt brushed effect: aged copper, aged bronze, stainless steel, titanium
- lacquered iron oxidised effect

METAL AND FINISHES



LACQUERED IRON
TITANIUM MATT
BRUSHED EFFECT



LACQUERED IRON
AGED BRONZE MATT
BRUSHED EFFECT



LACQUERED IRON
AGED COPPER MATT
BRUSHED EFFECT



LACQUERED IRON
STAINLESS STEEL
MATT BRUSHED
EFFECT



RAL 3020 TRAFFIC
RED



RAL 9005 JET BLACK



RAL 8019 GREY
BROWN



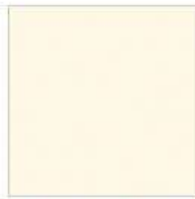
RAL 7037 DUSTY
GREY



RAL 7035 LIGHT GREY



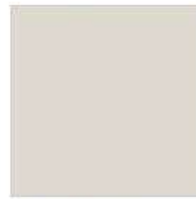
RAL 9016 TRAFFIC
WHITE



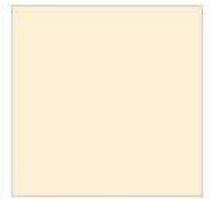
RAL 9010 PURE
WHITE



RAL 1013 OYSTER
WHITE



RAL 9002 GREY
WHITE



RAL 9001 CREAM
WHITE



NATURAL IRON,
OILED



IRONDUST
LACQUERED IRON