

MARQUIS COLLECTION

SKU:VOMOOM-701-MARQUIS

Marquis planter ø60x50

Marquis, is a planters collection **originating from the inspiration of diamond cutting**. Its polygonal design recalls facets created through cutting. It also **includes a design table lamp**.

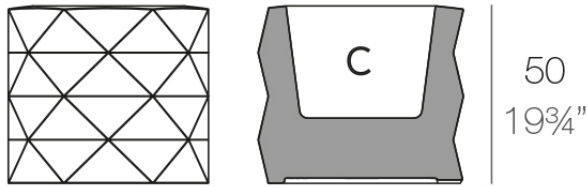


Info

Description

Made of polyethylene resin by rotational moulding. 100% Recyclable. Item suitable for indoor and outdoor use. Available in different finishes.

Weight: 8.5 Kg



Ø60-Ø23½"

MARQUIS Maceta Ø60x50

C = 60 L 32 dm³

MARQUIS Planter Ø23½"x19¾"

C = 15¾ gal 60 L

Marquis planter ø25x53

by JM Ferrero

Marquis, is a planters collection originating from the inspiration of diamond cutting. Its polygonal design recalls facets created through cutting. It also includes a design table lamp.

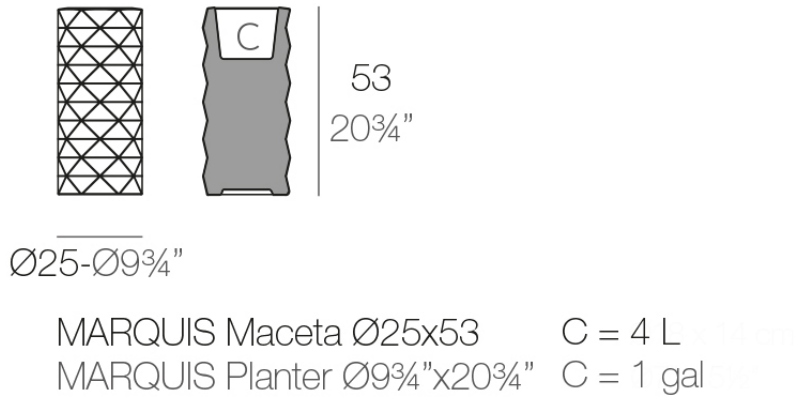


Info

Description

Made of polyethylene resin by rotational moulding. 100% Recyclable. Item suitable for indoor and outdoor use. Available in different finishes.

Weight: 2.5 Kg



Marquis planter ø40x60

by JM Ferrero

Marquis, is a planters collection originating from the inspiration of diamond cutting. Its polygonal design recalls facets created through cutting. It also includes a design table lamp.

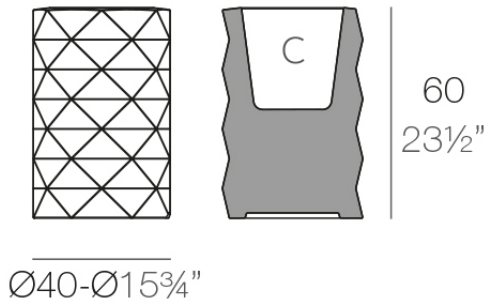


Info

Description

Made of polyethylene resin by rotational moulding. 100% Recyclable. Item suitable for indoor and outdoor use. Available in different finishes.

Weight: 5.5 Kg



MARQUIS Maceta Ø40x60 C = 23 L 23 cm
MARQUIS Planter Ø15 3/4"x23 1/2" C = 6 gal 11"

Marquis planter ø30x83

by JM Ferrero

Marquis, is a planters collection originating from the inspiration of diamond cutting. Its polygonal design recalls facets created through cutting. It also includes a design table lamp.

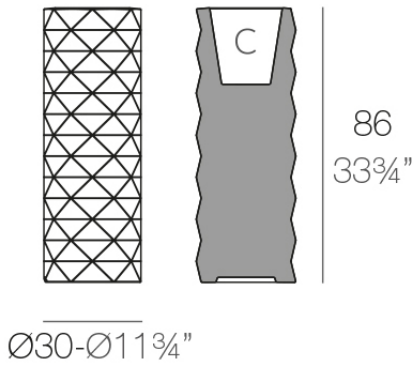


Info

Description

Made of polyethylene resin by rotational moulding. 100% Recyclable. Item suitable for indoor and outdoor use. Available in different finishes.

Weight: 5 Kg



MARQUIS Maceta Ø30x86

C = 10 L (2.6 gal)

MARQUIS Planter Ø11 3/4"x33 3/4"

C = 2 3/4 gal

Marquis planter ø80x100

by JM Ferrero

Marquis, is a planters collection originating from the inspiration of diamond cutting. Its polygonal design recalls facets created through cutting. It also includes a design table lamp.

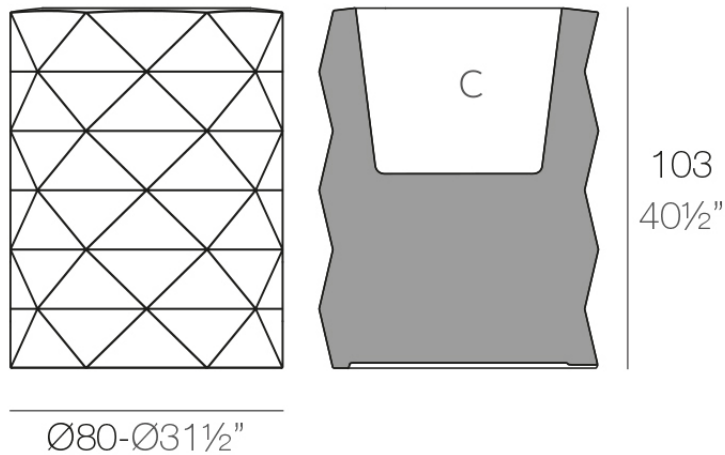


Info

Description

Made of polyethylene resin by rotational moulding. 100% Recyclable. Item suitable for indoor and outdoor use. Available in different finishes.

Weight: 19.5 Kg



MARQUIS Maceta Ø80x103 C = 160 L (5.3 gal)
MARQUIS Planter Ø31½"x40½" C = 42¼ gal

Marquis hanging planter ø50x26

by JM Ferrero

Marquis, is a planters collection originating from the inspiration of diamond cutting. Its polygonal design recalls facets created through cutting. It also includes a design table lamp.

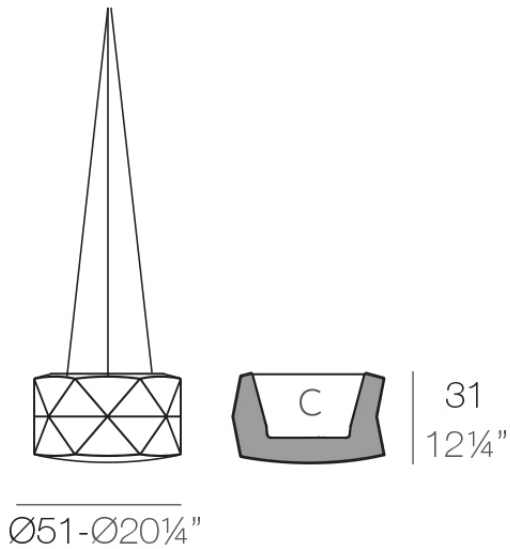


Info

Description

Made of polyethylene resin by rotational moulding. 100% Recyclable. Item suitable for indoor and outdoor use. Available in different finishes.

Weight: 4.5 Kg



MARQUIS Maceta Ø51x31

C = 3 L x 22 cm

MARQUIS Planter Ø20¼"x12¼"

C = ¾ gal 190

Marquis lamps ø60x53

by JM Ferrero

Marquis, is a planters collection originating from the inspiration of diamond cutting. Its polygonal design recalls facets created through cutting. It also includes a design table lamp.

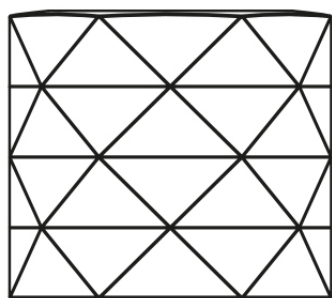


Info

Description

Made of polyethylene resin by rotational moulding. 100% Recyclable. Item suitable for indoor and outdoor use. Available in different finishes.

Weight: 7 Kg



53
20³/₄"

Ø60 - Ø23¹/₂"

MARQUIS Lámpara Ø60x53

MARQUIS Lamp Ø23¹/₂"x20³/₄"

Marquis lamps ø25x54

by JM Ferrero

Marquis, is a planters collection originating from the inspiration of diamond cutting. Its polygonal design recalls facets created through cutting. It also includes a design table lamp.

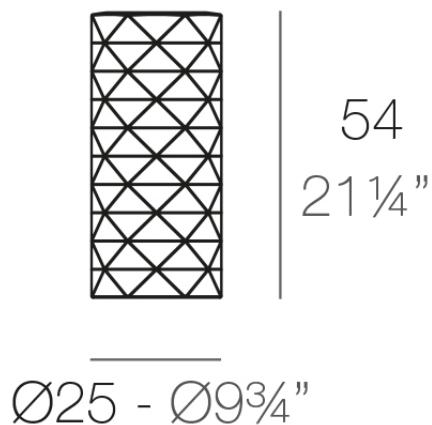


Info

Description

Made of polyethylene resin by rotational moulding. 100% Recyclable. Item suitable for indoor and outdoor use. Available in different finishes.

Weight: 2.5 Kg



MARQUIS Lámpara Ø25x54

MARQUIS Lamp Ø9 3/4"x21 1/4"

Marquis lamps ø40x60

by JM Ferrero

Marquis, is a planters collection originating from the inspiration of diamond cutting. Its polygonal design recalls facets created through cutting. It also includes a design table lamp.

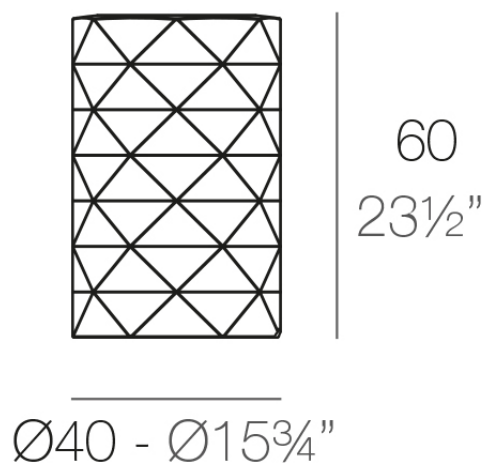


Info

Description

Made of polyethylene resin by rotational moulding. 100% Recyclable. Item suitable for indoor and outdoor use. Available in different finishes.

Weight: 4.5 Kg



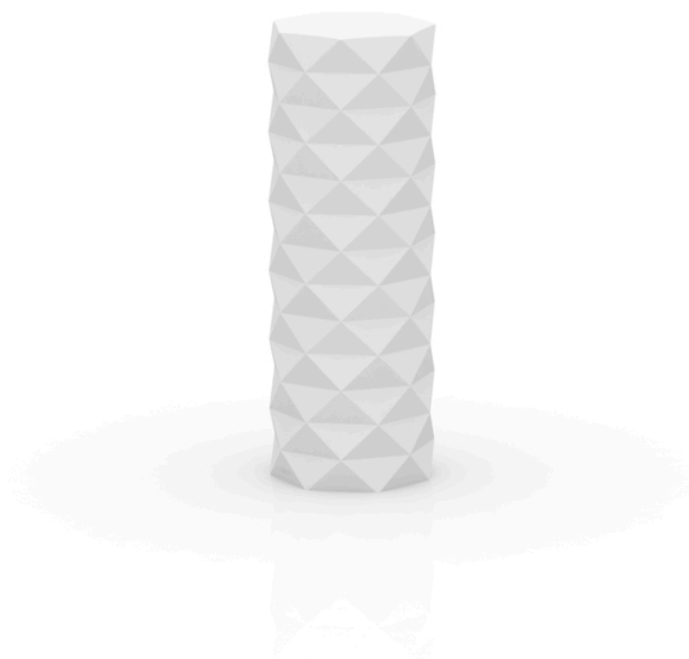
MARQUIS Lámpara Ø40x60

MARQUIS Lamp Ø15¾"x23½"

Marquis lamps ø30x83

by JM Ferrero

Marquis, is a planters collection originating from the inspiration of diamond cutting. Its polygonal design recalls facets created through cutting. It also includes a design table lamp.

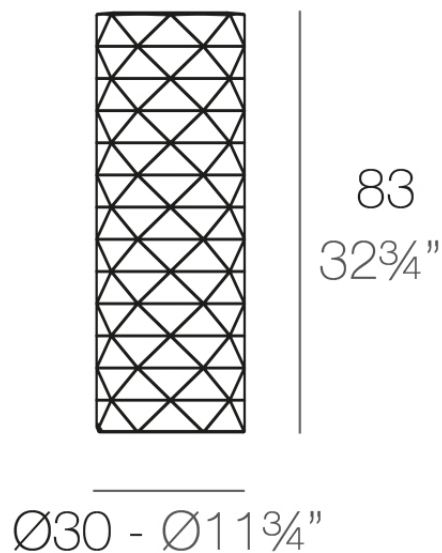


Info

Description

Made of polyethylene resin by rotational moulding. 100% Recyclable. Item suitable for indoor and outdoor use. Available in different finishes.

Weight: 4.5 Kg



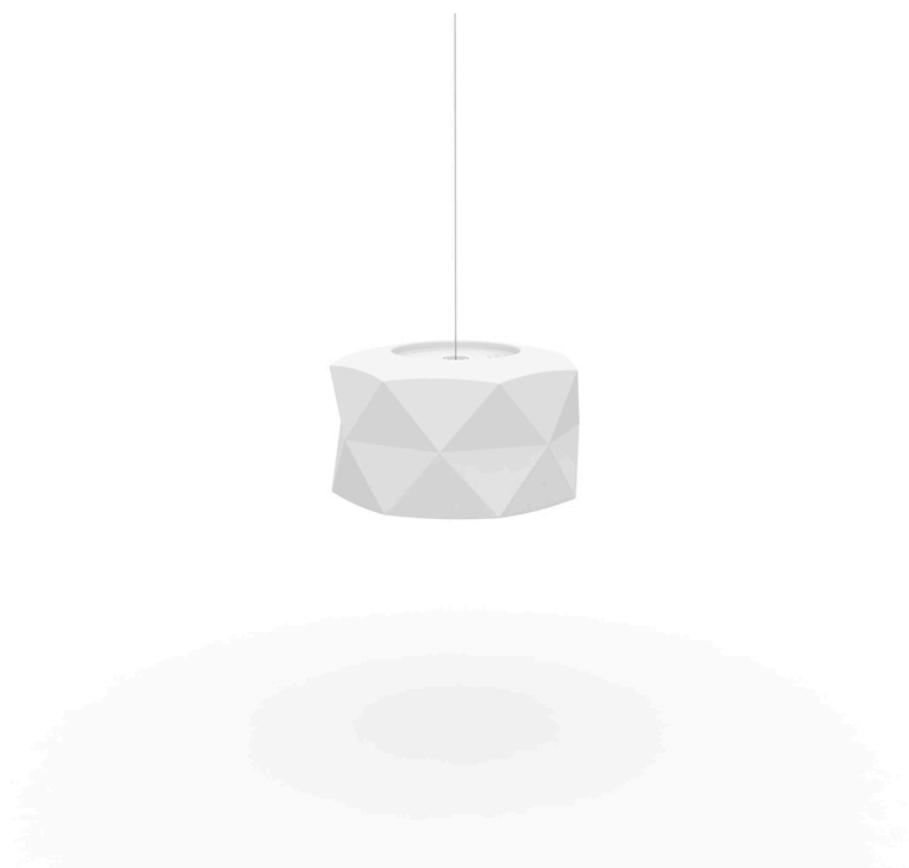
MARQUIS Lámpara Ø30x83

MARQUIS Lamp Ø1 1³/₄"x32³/₄"

Marquis hanging lamp ø50x26

by JM Ferrero

Marquis, is a planters collection originating from the inspiration of diamond cutting. Its polygonal design recalls facets created through cutting. It also includes a design table lamp.

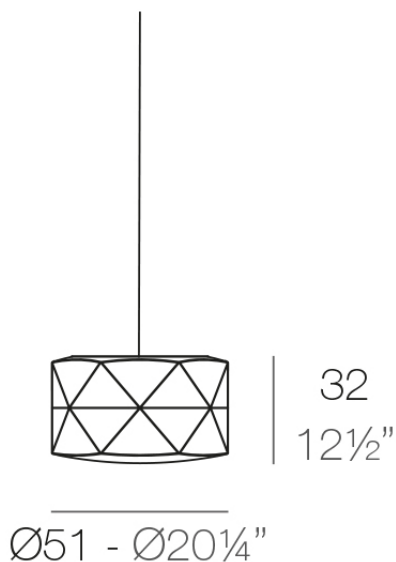


Info

Description

Made of polyethylene resin by rotational moulding. 100% Recyclable. Item suitable for indoor and outdoor use. Available in different finishes.

Weight: 4.5 Kg



MARQUIS Lámpara colgante Ø51x32

MARQUIS Hanging Lamp Ø20¼"x12½"

Marquis table lamp

by JM Ferrero

Marquis, is a planters collection originating from the inspiration of diamond cutting. Its polygonal design recalls facets created through cutting. It also includes a design table lamp.

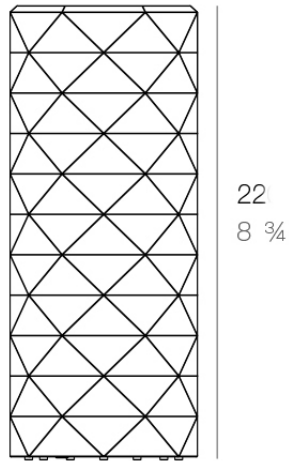


Info

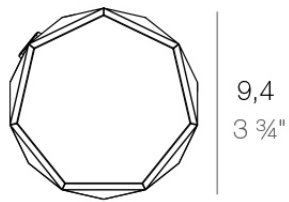
Description

Polymethylmethacrylate resin. Transparent or colored

Weight: 0.71 Kg



9,4 3 ³/₄"



MARQUIS Lampara Mesa
MARQUIS Table Lamp