



Swivel chair for the home and for public facilities.

Its lacquered steel tube structure and carefully made, elegant, upholstered seat recall the classics of the '70s.

Maarten is available in a large quantity of finishes to adapt to different environments.

Totally in line with its original design we have made arms in lacquered steel tubing for our successful Maarten chair.

VICTOR CARRASCO



Born in Valencia (Spain) in 1974, Victor Carrasco began his professional career after graduating Cum Laude in Industrial Design Engineering at the Polytechnic University of Valencia.

Shying away from trends and fads, he has developed and positioned international brands with remarkable added value, thanks to his passion for synthesis, sustainable growth and his pragmatic vision of the future.

Since 2007, he has been combining his position as strategic director of Viccarbe with that of Design Director for the prestigious American multinational Coalesse (Steelcase Inc.). Likewise, as an industrial designer, he has collaborated with numerous international companies such as Boffi, Glas Italia, Gandia Blasco, LZP, Vibia and Vaalva, among others.

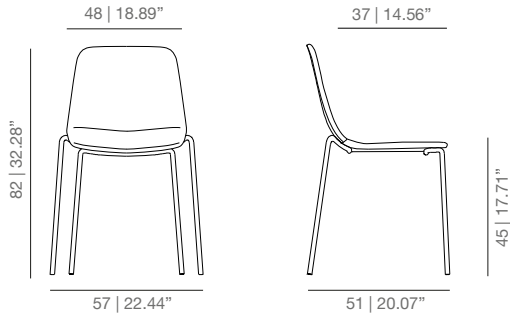
He was the recipient of the Prince Felipe Award for Business Excellence in 2008.

DIMENSIONS

SMOOTH UPHOLSTERY CHAIR

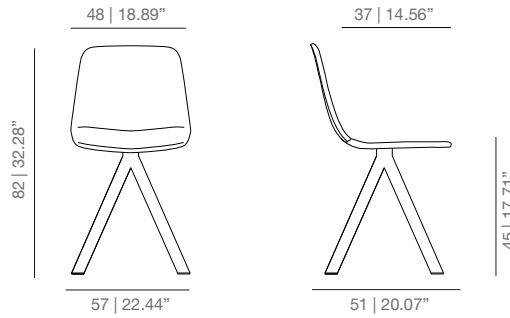
MAAL4P four legs base smooth upholstery

SKU:VIMOB-401-MAAL4P



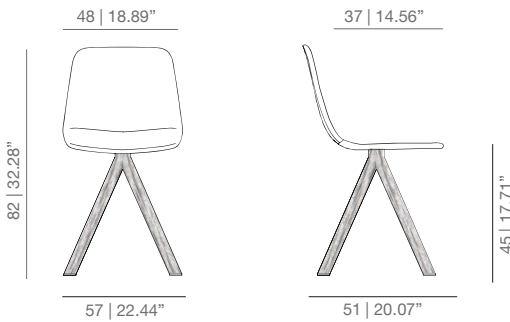
MAAL swivel base smooth upholstery

SKU:VIMOB-401-MAAL



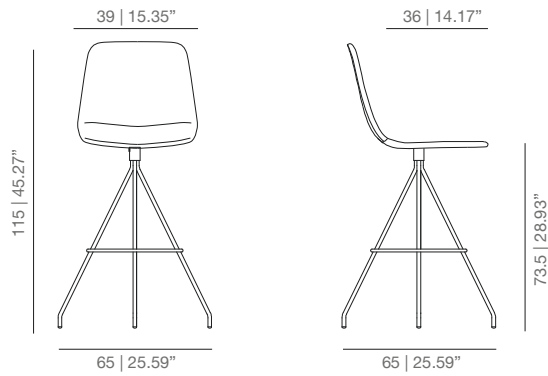
MAALM swivel wood base smooth upholstery

SKU:VIMOB-401-MAALM



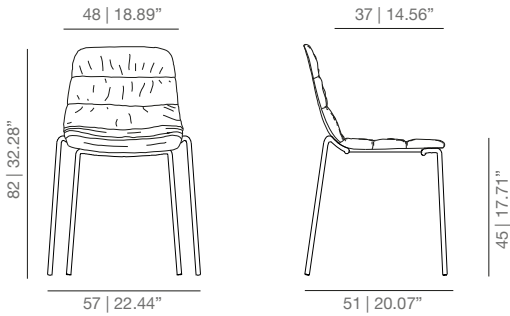
MAAT swivel stool base smooth upholstery

SKU:VIMOB-401-MAAT



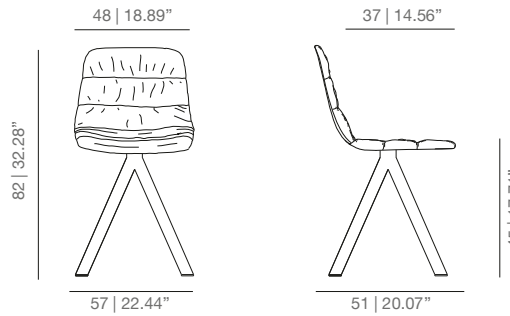
SOFT UPHOLSTERY CHAIR

SKU:VIMOB-401-MAA4P



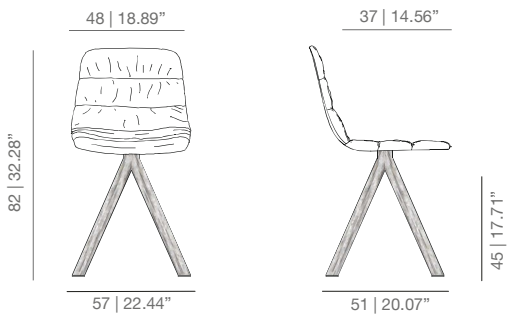
MAA swivel base soft upholstery

SKU:VIMOB-401-MAA



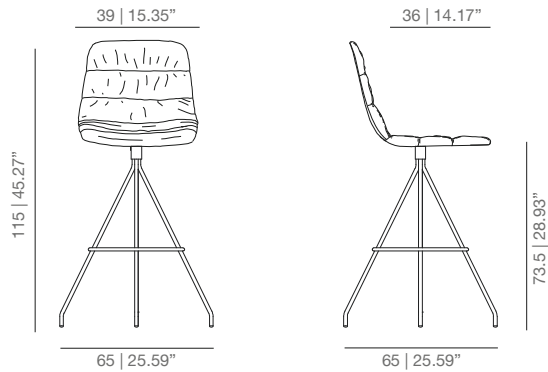
MAAM swivel wood base soft upholstery

SKU:VIMOB-401-MAAM



MAAT swivel stool base soft upholstery

SKU:VIMOB-401-MAAT

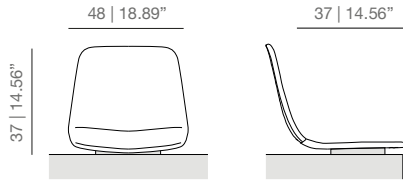


CHAIR ACCESSORIES

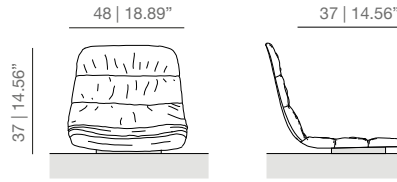
AUDITORIUM BASE

Base in calibrated powder coated steel in thermoreinforced polyester in grey, with 3D curved plywood covered by expanded polyurethane foam with a soft or smooth finish, suitable for large surfaces.

MAALAU auditorium base smooth upholstery

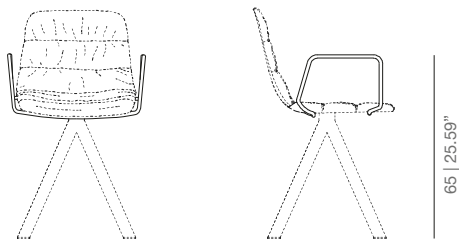


MAAAU auditorium base soft upholstery



MAB arms

Calibrated steel arms powder coated in thermoreinforced polyester. Arms available for all bases and seats.



INFORMACIÓN TÉCNICA

3D curved plywood covered by expanded polyurethane foam with a smooth finish.

3D curved plywood covered by expanded polyurethane foam with a soft finish.

Different options for the base:

FOUR LEGS BASE: Calibrated steel structure powder coated in thermoreinforced polyester. Stackable up to 4 units.

SWIVEL BASE: Calibrated steel swivel structure powder coated in thermoreinforced polyester.

SWIVEL WOOD BASE: Calibrated steel swivel structure finished with oak veneer.

SWIVEL STOOL: Calibrated steel swivel structure powder coated in thermoreinforced polyester.

FINISHES

UPHOLSTERY

Check upholstery samples.

STRUCTURE | ARMS

Lacquered



White
RAL 9003



Black
RAL 9005



Altea Blue
RAL 5000



Sand
NCS 3005Y50R



Fluorescent Orange
RAL 2005

Stained



Matt
oak



Wenge



Cognac



Ash

CERTIFICATE

Swivel base chair

UNE EN 16139:13

Four legs base chair

ANSI BIFMA X5.1-2011

Swivel base chair with arms

UNE EN 15373:07





PROJECTS

AA Residence | Progetti | L'Antic Colonial Showroom | Willy Ramos Art Studio | DE House | Caro Hotel | Showrrom Sydney | Cosín Studio | Molino Real | Buro Modern | Penthouse JOYU | Residential MOB 01 | Residential MOB 02 | Residential MOB 03 | Hub Showroom | Buro Modern | G.V House | Interiors INC | Auditorio y Palacio de Congresos de Castellón | Wild Valencia |