



Swivel chair for the home and for public facilities. Its lacquered steel tube structure and carefully made, elegant, upholstered seat recall the classics of the '70s.



Maarten is available in a large quantity of finishes to adapt to different environments.

Totally in line with its original design we have made arms in lacquered steel tubing for our successful Maarten chair.

VICTOR CARRASCO



Born in Valencia (Spain) in 1974, Victor Carrasco began his professional career after graduating Cum Laude in Industrial Design Engineering at the Polytechnic University of Valencia.

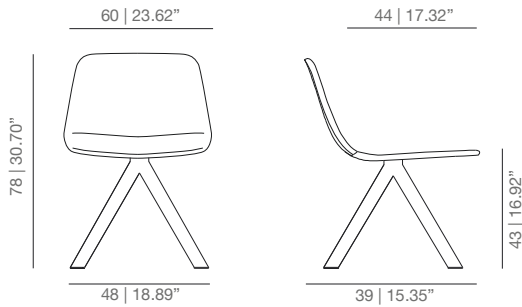
Shying away from trends and fads, he has developed and positioned international brands with remarkable added value, thanks to his passion for synthesis, sustainable growth and his pragmatic vision of the future.

Since 2007, he has been combining his position as strategic director of Viccarbe with that of Design Director for the prestigious American multinational Coalesse (Steelcase Inc.). Likewise, as an industrial designer, he has collaborated with numerous international companies such as Boffi, Glas Italia, Gandia Blasco, LZF, Vibia and Vaalva, among others.

He was the recipient of the Prince Felipe Award for Business Excellence in 2008.

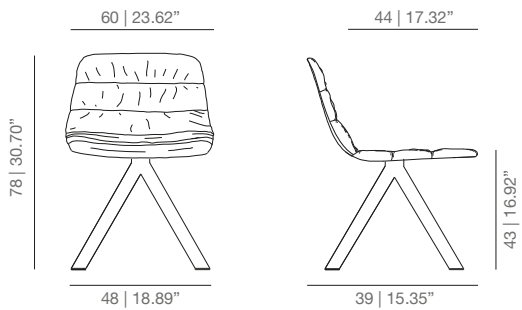
DIMENSIONS

SKU:VIMOB-402-MAALBU



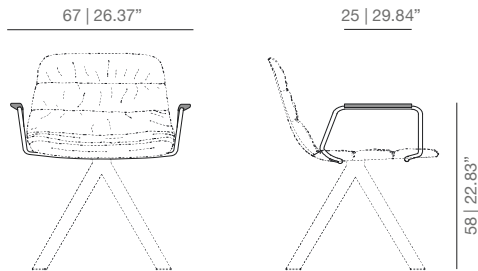
MAALBU swivel base armchair soft upholstery

SKU:VIMOB-402-MAALBU



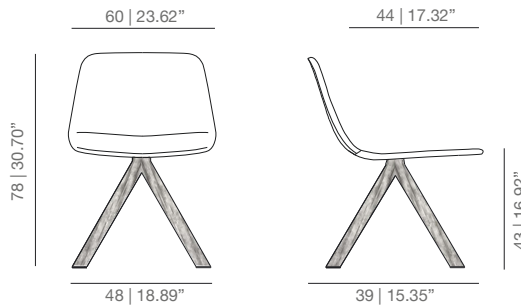
MAABU arms

SKU:VIMOB-402-MAABU



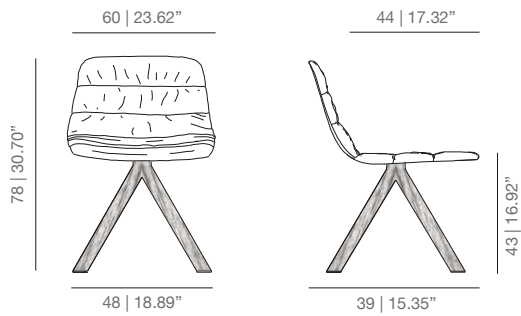
MAALBUM wood swivel base armchair smooth upholstery

SKU:VIMOB-402-MAALBUM



MAALBU wood swivel base armchair soft upholstery

SKU:VIMOB-402-MAALBU



TECHNICAL INFO

Calibrated steel swivel structure powder coated in thermoreinforced polyester or calibrated steel with an oak veneer, available in all the collection's polishes.
Moulded shell in 3D surface veneer.
Expanded polyurethane foam.
Fabric or leather.
Transparent injection polypropylene tips.
Calibrated steel arms powder coated in thermoreinforced polyester in black, sand, altea blue or flourescent orange, with natural oak armrests.

FINISHES

UPHOLSTERY

Check upholstery samples.

STRUCTURE | ARMS

Lacquered



White
RAL 9003



Black
RAL 9005



Altea blue
RAL 5000



Sand
NCS 3005Y50R



Flourescent orange
RAL 2005

Stained



Matt
oak



Wenge



Cognac



Ash

