

LUNA COLLECTION

SKU:VOMOOM-701-LUNA

Luna lounge chair

Luna channels the revolutionary spirit of icons such as Verner Panton and Joe Colombo. With its use of avant-garde materials and bold forms, Luna is an ode to the democratisation of design, blending functionality, striking aesthetics and a timeless elegance that redefines sophistication in contemporary furniture.

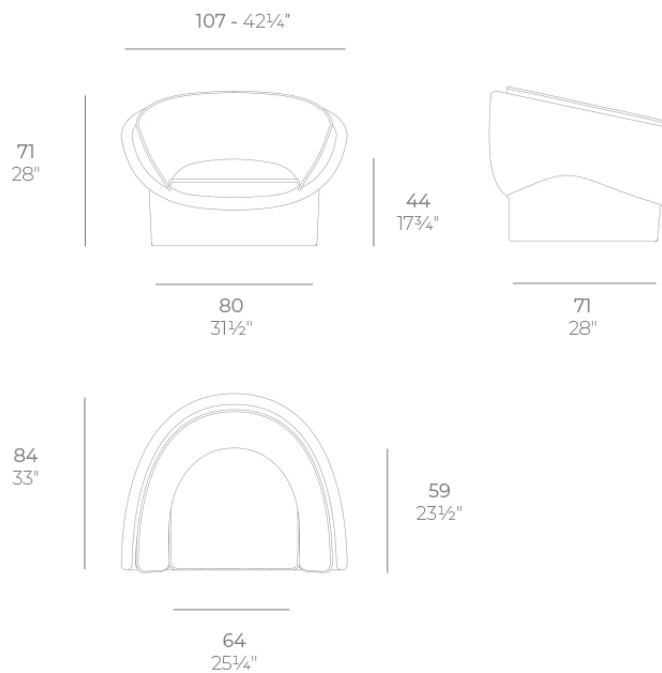


Description

The Luna armchair, designed by Ramón Esteve, redefines outdoor luxury with its 100% recyclable polyethylene structure and advanced rotational moulding techniques.

Its cushions, with high-density polyurethane foam and synthetic fibre, offer unrivalled comfort.

Weight: 18 Kg



LUNA Butaca
LUNA Armchair
ref. 54850

Luna sofa

Luna channels the revolutionary spirit of icons such as Verner Panton and Joe Colombo. With its use of avant-garde materials and bold forms, Luna is an ode to the democratisation of design, blending functionality, striking aesthetics and a timeless elegance that redefines sophistication in contemporary furniture.

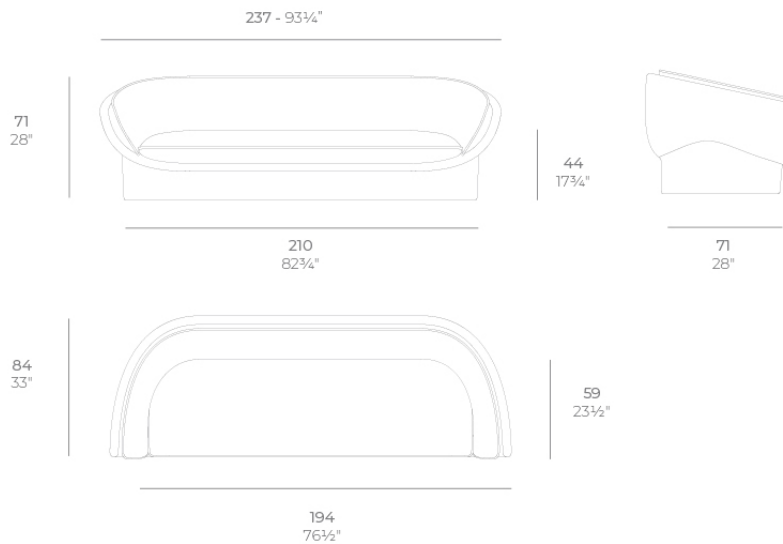


Description

The Luna sofa, designed by Ramón Esteve, redefines outdoor luxury with its 100% recyclable polyethylene structure and advanced rotational moulding techniques.

Its cushions, with high-density polyurethane foam and synthetic fibre, offer unrivalled comfort.

Weight: 40 Kg



LUNA Sofa
LUNA Sofa
ref. 54851

Luna daybed

Luna channels the revolutionary spirit of icons such as Verner Panton and Joe Colombo. With its use of avant-garde materials and bold forms, Luna is an ode to the democratisation of design, blending functionality, striking aesthetics and a timeless elegance that redefines sophistication in contemporary furniture.

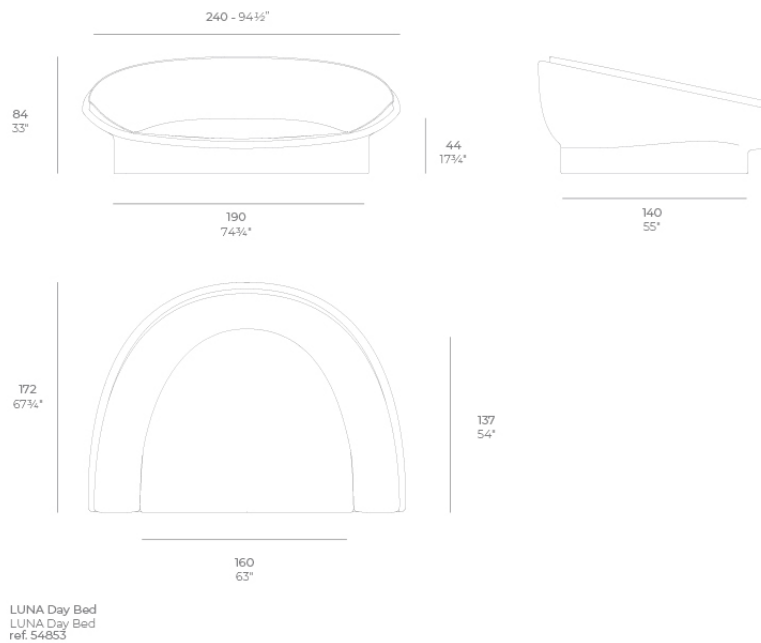


Description

The Luna daybed, designed by Ramón Esteve, combines sustainability and supreme comfort. Made of 100% recyclable polyethylene through rotational moulding,

it incorporates polyurethane foam and synthetic fibre cushions, guaranteeing an exceptional rest experience.

Weight: 60 Kg



Luna coffee table

Luna channels the revolutionary spirit of icons such as Verner Panton and Joe Colombo. With its use of avant-garde materials and bold forms, Luna is an ode to the democratisation of design, blending functionality, striking aesthetics and a timeless elegance that redefines sophistication in contemporary furniture.



Description

The Luna coffee table, created by Ramón Esteve, combines sustainability and innovative design with its 100% recyclable polyethylene and customisable HPL surface.

It features a hidden compartment that brings discreet and elegant functionality to any outdoor space.

Weight: 16 Kg

