



# LINK

design ALAIN GILLES

Collection of fixed or extending tables with powder coated INOX stainless steel structure (bracket+frame). Legs also available in plantation certified teak. Round, rectangular or elliptic tops available in Hpl, teak, or ceramic (except for Diam.160cms and extension table). Tables in two heights: H 72 + top or Low H 66+ top, to be used together with lounge chairs.

### METAL structure:

- WHITE
- SILK GREY
- GREY
- MOKA
- BLACK
- leg:
- METAL
- TEAK
- top:
- HPL
- TEAK
- BUSH-HAMMERED CERAMIC

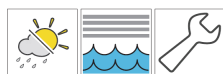


 table 160x90 <b>2220</b>	 tab 160x90 la <b>22201</b>	 table 200x100 <b>2221</b>	 table 220x120 <b>2221E</b>	 tab 200x100 la <b>22211</b>	 tab 200x100 2a <b>22212</b>
 table 240x100 <b>2222</b>	 table 280x120 <b>2222E</b>	 tab 240x100 la <b>22221</b>	 tab 240x100 2a <b>22222</b>	 table ø130 <b>2223</b>	 table ø140 <b>2224</b>
 table ø150 <b>2225</b>	 table ø160 <b>2226</b>				

### STRUCTURAL COMPONENTS

COLLECTION OF FIXED AND EXTENDING TABLES WITH POWDER COATED STAINLESS STEEL STRUCTURE; TOPS AND FEET AVAILABLE IN DIFFERENT MATERIALS AND FINISHES. TOP: HPL, TEAK, BUSH-HAMMERED CERAMIC.

### INSTRUCTIONS FOR USING THE PRODUCT PROPERLY AND SAFELY

VARASCHIN IS NOT LIABLE FOR DAMAGE CAUSED BY IMPROPER USE. THE SAME APPLIES TO DAMAGE DERIVING FROM USE IN EXTREME WEATHER CONDITIONS OR LACK OF CARE. TIPS FOR EXTENDING LONGEVITY OF COMPONENTS: DURING THE WINTER STORE IN A DRY AND CLOSED PLACE TO AVOID CONDENSATION. DO NOT STEP ON WITH FEET. DO NOT SWING BACK AND FORTH ON THE LEGS. DO NOT SIT. DO NOT USE AS A LADDER. BUTTONS AND THE ZIPPERS OF CLOTHING MAY CAUSE DAMAGE TO THE MATERIALS. IF NECESSARY, PLEASE CONTACT VARASCHIN SPA. WOOD COLOUR CHANGES MAY OCCUR AFTER SOME TIME DUE TO EXPOSURE TO SUNLIGHT. THIS PRODUCT "FEARS" HEAT SOURCES AND TOO MUCH HUMIDITY, THEREFORE PAY ATTENTION WHERE YOU PLACE IT.

### GENERAL INSTRUCTIONS FOR MAINTENANCE AND CLEANING

FOR DAILY CLEANING USE A DRY COTTON CLOTH. FOR MORE THOROUGH CLEANING USE ONLY A NEUTRAL PRODUCT DILUTED IN WARM WATER. NEVER USE ALCOHOL, AMMONIUM, THINNERS OR ABRASIVE PRODUCTS. IN MARINE ENVIRONMENTS ARTICLE SHOULD BE WEEKLY WHASED WITH FRESH WATER. WE WOULD ADVISE USING GOLDEN CARE PRODUCTS AS THEY ARE SPECIALLY DESIGNED FOR CLEANING METAL, GLASS AND SYNTHETIC FIBRES.

### GENERAL INFORMATION

N.B.: VARASCHIN SPA GUARANTEES THAT THE PRODUCT IS MADE OF QUALITY MATERIALS, USING THE BEST TECHNOLOGIES IN THE TRADE. THE COMPANY DECLINES ALL AND ANY LIABILITY FOR DAMAGE TO PERSONS AND/OR THINGS DUE TO IMPROPER USE OF THE PRODUCT. IF IN DOUBT PLEASE CONTACT THE MANUFACTURER.

### DISPOSAL

PLEASE DO NOT JUST THROW OUT THE PIECE OF FURNITURE OR ANY PART OF IT. AT THE END OF ITS USE, PROVIDE FOR THE RECYCLING OR DISPOSAL OF THE COMPONENTS IN THE APPROPRIATE AREAS.

### FIRE-FIGHTING MEASURES

ALTHOUGH THE PRODUCT IS INFLAMMABLE, IT IS COMBUSTIBLE. THERE ARE NO RESTRICTIONS ON THE TYPES OF EXTINGUISHERS: POWDER, WATER, FOAM OR CO2. USE SUITABLE PROTECTION TO AVOID BREATHING IN FUMES. DURING DISPOSAL TAKE SPECIAL CARE TO PROTECT THE RESPIRATORY SYSTEM.

### PRODUCT WARRANTY

REFER TO ARTICLE 3 "PRODUCT WARRANTY" PUBLISHED ON SALES CONDITIONS, DOCUMENTS OF SALE, WEBSITE [www.varaschin.it](http://www.varaschin.it)

TECHNICAL INFO SHEET: This product information sheet complies with Italian Legislative Decree No. 206 of 6 September 2005, "Consumer Code".

The information given above refers to the latest data published in the price list. The company reserves the right to alter the models without notice.

COMPANY WITH SYSTEM MANAGEMENT QUALITY CERTIFIED **UNI EN ISO 9001: 2015**



## LINK

design ALAIN GILLES

Collection of fixed and extending tables with powder coated stainless steel structure; tops and feet available in different materials and finishes.

<b>METAL structure:</b>	<table border="1"><tr><td>IN</td><td>OUT</td></tr><tr><td>X</td><td>X</td></tr></table>	IN	OUT	X	X					
IN	OUT									
X	X									
WHITE	<table border="1"><tr><td>X</td><td>X</td></tr></table>	X	X	table 160x90 2220/2220L	tab 160x90 1a 2220I/2220IL	table 200x100 2221/2221L	tab 200x100 1a 2221I/2221IL	tab 200x100 2a 2221Z/2221ZL		
X	X									
MOKA	<table border="1"><tr><td>X</td><td>X</td></tr></table>	X	X							
X	X									
GREY	<table border="1"><tr><td>X</td><td>X</td></tr></table>	X	X	table 240x100 2222/2222L	tab 240x100 1a 2222I/2222IL	tab 240x100 2a 2222Z/2222ZL	table ø130 2223/2223L	table ø140 2224/2224L		
X	X									
SILK GREY	<table border="1"><tr><td>X</td><td>X</td></tr></table>	X	X							
X	X									
		table ø150 2225/2225L	table ø160 2226/2226L							
<b>leg:</b>	<table border="1"><tr><td>X</td><td>X</td></tr><tr><td>X</td><td>X</td></tr></table>	X	X	X	X					
X	X									
X	X									
METAL	<table border="1"><tr><td>X</td><td>X</td></tr></table>	X	X							
X	X									
TEAK	<table border="1"><tr><td>X</td><td>X</td></tr></table>	X	X							
X	X									
<b>top:</b>	<table border="1"><tr><td>X</td><td>X</td></tr><tr><td>X</td><td>X</td></tr></table>	X	X	X	X					
X	X									
X	X									
HPL	<table border="1"><tr><td>X</td><td>X</td></tr></table>	X	X							
X	X									
TEAK	<table border="1"><tr><td>X</td><td>X</td></tr></table>	X	X							
X	X									
	<b>MODELLO REGISTRATO</b> REGISTERED MODEL									
	<b>CSM</b> EXTRA									

### STRUCTURAL COMPONENTS

COLLECTION OF FIXED AND EXTENDING TABLES WITH POWDER COATED STAINLESS STEEL STRUCTURE; TOPS AND FEET AVAILABLE IN DIFFERENT MATERIALS AND FINISHES.  
TOP: HPL, TEAK.

### INSTRUCTIONS FOR USING THE PRODUCT PROPERLY AND SAFELY

VARASCHIN IS NOT LIABLE FOR DAMAGE CAUSED BY IMPROPER USE. THE SAME APPLIES TO DAMAGE DERIVING FROM USE IN EXTREME WEATHER CONDITIONS OR LACK OF CARE. TIPS FOR EXTENDING LONGEVITY OF COMPONENTS: DURING THE WINTER STORE IN A DRY AND CLOSED PLACE TO AVOID CONDENSATION .

DO NOT STEP ON WITH FEET. DO NOT SWING BACK AND FORTH ON THE LEGS. DO NOT SIT. DO NOT USE AS A LADDER. BUTTONS AND THE ZIPPERS OF CLOTHING MAY CAUSE DAMAGE TO THE MATERIALS. IF NECESSARY, PLEASE CONTACT VARASCHIN SPA.

WOOD COLOUR CHANGES MAY OCCUR AFTER SOME TIME DUE TO EXPOSURE TO SUNLIGHT. THIS PRODUCT "FEARS" HEAT SOURCES AND TOO MUCH HUMIDITY, THEREFORE PAY ATTENTION WHERE YOU PLACE IT.

### GENERAL INSTRUCTIONS FOR MAINTENANCE AND CLEANING

FOR DAILY CLEANING USE A DRY COTTON CLOTH. FOR MORE THOROUGH CLEANING USE ONLY A NEUTRAL PRODUCT DILUTED IN WARM WATER. NEVER USE ALCOHOL, AMMONIUM, THINNERS OR ABRASIVE PRODUCTS. IN MARINE ENVIRONMENTS ARTICLE SHOULD BE WEEKLY WHASED WITH FRESH WATER. WE WOULD ADVISE USING GOLDEN CARE PRODUCTS AS THEY ARE SPECIALLY DESIGNED FOR CLEANING METAL, GLASS AND SYNTHETIC FIBRES.

### GENERAL INFORMATION

N.B.: VARASCHIN SPA GUARANTEES THAT THE PRODUCT IS MADE OF QUALITY MATERIALS, USING THE BEST TECHNOLOGIES IN THE TRADE. THE COMPANY DECLINES ALL AND ANY LIABILITY FOR DAMAGE TO PERSONS AND/OR THINGS DUE TO IMPROPER USE OF THE PRODUCT. IF IN DOUBT PLEASE CONTACT THE MANUFACTURER.

### DISPOSAL

PLEASE DO NOT JUST THROW OUT THE PIECE OF FURNITURE OR ANY PART OF IT. WHEN IT IS NO LONGER WANTED, CALL THE DISPOSAL COMPANY TO HAVE IT TAKEN TO A COLLECTION OR RECOVERY POINT.

### FIRE-FIGHTING MEASURES

ALTHOUGH THE PRODUCT IS INFLAMMABLE, IT IS COMBUSTIBLE. THERE ARE NO RESTRICTIONS ON THE TYPES OF EXTINGUISHERS: POWDER, WATER, FOAM OR CO2. USE SUITABLE PROTECTION TO AVOID BREATHING IN FUMES. DURING DISPOSAL TAKE SPECIAL CARE TO PROTECT THE RESPIRATORY SYSTEM.

### PRODUCT WARRANTY

REFER TO ARTICLE 3 "PRODUCT WARRANTY" PUBLISHED ON SALES CONDITIONS, DOCUMENTS OF SALE, WEBSITE [www.varaschin.it](http://www.varaschin.it)

TECHNICAL INFO SHEET: This product information sheet complies with Italian Legislative Decree No. 206 of 6 September 2005, "Consumer Code".

The information given above refers to the latest data published in the price list. The company reserves the right to alter the models without notice.






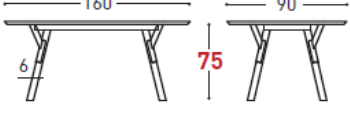

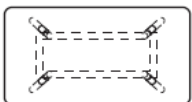




**COMPANY WITH SYSTEM MANAGEMENT QUALITY CERTIFIED UNI EN ISO 9001: 2008**



## LINK

design ALAIN GILLES

Collection of fixed and extending tables with powder coated stainless steel structure; tops and feet available in different materials and finishes.

cod. <b>2220</b>		FINISHES AVAILABLE		DIMENSIONS		 																	
<b>table</b>   cover: <b>9460</b> 	<u>METAL structure:</u> <table border="1"> <tr> <td></td> <td>IN</td> <td>OUT</td> </tr> <tr> <td>WHITE</td> <td>X</td> <td>X</td> </tr> <tr> <td>MOKA</td> <td>X</td> <td>X</td> </tr> <tr> <td>GREY</td> <td>X</td> <td>X</td> </tr> <tr> <td>SILK GREY</td> <td>X</td> <td>X</td> </tr> </table>			IN	OUT	WHITE	X	X	MOKA	X	X	GREY	X	X	SILK GREY	X	X			disassembled in 2 pieces		 net kg 47,5	
		IN	OUT																				
	WHITE	X	X																				
	MOKA	X	X																				
GREY	X	X																					
SILK GREY	X	X																					
<u>leg:</u> <table border="1"> <tr> <td></td> <td>X</td> <td>X</td> </tr> <tr> <td>METAL</td> <td>X</td> <td>X</td> </tr> <tr> <td>TEAK</td> <td>X</td> <td>X</td> </tr> </table>			X	X	METAL	X	X	TEAK	X	X			 pack m³ m³ 0,284		 net kg 48,5								
	X	X																					
METAL	X	X																					
TEAK	X	X																					
<u>top:</u> <table border="1"> <tr> <td></td> <td>X</td> <td>X</td> </tr> <tr> <td>HPL</td> <td>X</td> <td>X</td> </tr> <tr> <td>TEAK</td> <td>X</td> <td>X</td> </tr> </table>			X	X	HPL	X	X	TEAK	X	X	<b>160x90 FIXED</b>		 pack m³ m³ 0,284										
	X	X																					
HPL	X	X																					
TEAK	X	X																					
																							

### STRUCTURAL COMPONENTS

COLLECTION OF FIXED AND EXTENDING TABLES WITH POWDER COATED STAINLESS STEEL STRUCTURE; TOPS AND FEET AVAILABLE IN DIFFERENT MATERIALS AND FINISHES.  
TOP: HPL, TEAK.

### INSTRUCTIONS FOR USING THE PRODUCT PROPERLY AND SAFELY

VARASCHIN IS NOT LIABLE FOR DAMAGE CAUSED BY IMPROPER USE. THE SAME APPLIES TO DAMAGE DERIVING FROM USE IN EXTREME WEATHER CONDITIONS OR LACK OF CARE. TIPS FOR EXTENDING LONGEVITY OF COMPONENTS: DURING THE WINTER STORE IN A DRY AND CLOSED PLACE TO AVOID CONDENSATION .

DO NOT STEP ON WITH FEET. DO NOT SWING BACK AND FORTH ON THE LEGS. DO NOT SIT. DO NOT USE AS A LADDER. BUTTONS AND THE ZIPPERS OF CLOTHING MAY CAUSE DAMAGE TO THE MATERIALS. IF NECESSARY, PLEASE CONTACT VARASCHIN SPA.

WOOD COLOUR CHANGES MAY OCCUR AFTER SOME TIME DUE TO EXPOSURE TO SUNLIGHT. THIS PRODUCT "FEARS" HEAT SOURCES AND TOO MUCH HUMIDITY, THEREFORE PAY ATTENTION WHERE YOU PLACE IT.

### GENERAL INSTRUCTIONS FOR MAINTENANCE AND CLEANING

FOR DAILY CLEANING USE A DRY COTTON CLOTH. FOR MORE THOROUGH CLEANING USE ONLY A NEUTRAL PRODUCT DILUTED IN WARM WATER. NEVER USE ALCOHOL, AMMONIUM, THINNERS OR ABRASIVE PRODUCTS. IN MARINE ENVIRONMENTS ARTICLE SHOULD BE WEEKLY WHASED WITH FRESH WATER. WE WOULD ADVISE USING GOLDEN CARE PRODUCTS AS THEY ARE SPECIALLY DESIGNED FOR CLEANING METAL, GLASS AND SYNTHETIC FIBRES.

### GENERAL INFORMATION

N.B.: VARASCHIN SPA GUARANTEES THAT THE PRODUCT IS MADE OF QUALITY MATERIALS, USING THE BEST TECHNOLOGIES IN THE TRADE. THE COMPANY DECLINES ALL AND ANY LIABILITY FOR DAMAGE TO PERSONS AND/OR THINGS DUE TO IMPROPER USE OF THE PRODUCT. IF IN DOUBT PLEASE CONTACT THE MANUFACTURER.

### DISPOSAL

PLEASE DO NOT JUST THROW OUT THE PIECE OF FURNITURE OR ANY PART OF IT. WHEN IT IS NO LONGER WANTED, CALL THE DISPOSAL COMPANY TO HAVE IT TAKEN TO A COLLECTION OR RECOVERY POINT.

### FIRE-FIGHTING MEASURES

ALTHOUGH THE PRODUCT IS INFLAMMABLE, IT IS COMBUSTIBLE. THERE ARE NO RESTRICTIONS ON THE TYPES OF EXTINGUISHERS: POWDER, WATER, FOAM OR CO2. USE SUITABLE PROTECTION TO AVOID BREATHING IN FUMES. DURING DISPOSAL TAKE SPECIAL CARE TO PROTECT THE RESPIRATORY SYSTEM.

### PRODUCT WARRANTY

REFER TO ARTICLE 3 "PRODUCT WARRANTY" PUBLISHED ON SALES CONDITIONS, DOCUMENTS OF SALE, WEBSITE [www.varaschin.it](http://www.varaschin.it)

TECHNICAL INFO SHEET: This product information sheet complies with Italian Legislative Decree No. 206 of 6 September 2005, "Consumer Code".

The information given above refers to the latest data published in the price list. The company reserves the right to alter the models without notice.




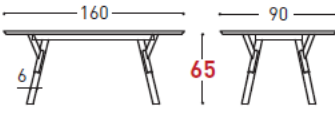
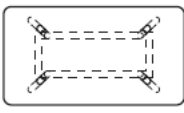

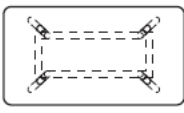




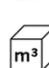
**COMPANY WITH SYSTEM MANAGEMENT QUALITY CERTIFIED UNI EN ISO 9001: 2008**



## LINK

design ALAIN GILLES

Collection of fixed and extending tables with powder coated stainless steel structure; tops and feet available in different materials and finishes.

cod. <b>2220L</b>		FINISHES AVAILABLE		DIMENSIONS		 																
table		<u>METAL structure:</u>	<table border="1"><tr><td></td><td>IN</td><td>OUT</td></tr><tr><td>WHITE</td><td>X</td><td>X</td></tr><tr><td>MOKA</td><td>X</td><td>X</td></tr><tr><td>GREY</td><td>X</td><td>X</td></tr><tr><td>SILK GREY</td><td>X</td><td>X</td></tr></table>		IN	OUT	WHITE	X	X	MOKA	X	X	GREY	X	X	SILK GREY	X	X	 	<b>160x90 (h 65)</b>	disassembled in 2 pieces	
		IN	OUT																			
	WHITE	X	X																			
	MOKA	X	X																			
GREY	X	X																				
SILK GREY	X	X																				
	<u>leg:</u>	<table border="1"><tr><td></td><td>X</td><td>X</td></tr><tr><td>METAL</td><td>X</td><td>X</td></tr><tr><td>TEAK</td><td>X</td><td>X</td></tr></table>		X	X	METAL	X	X	TEAK	X	X	 <b>160x90 FIXED</b>	w/hpl top									
	X	X																				
METAL	X	X																				
TEAK	X	X																				
cover: <b>9460</b>	<u>top:</u>	<table border="1"><tr><td></td><td>X</td><td>X</td></tr><tr><td>HPL</td><td>X</td><td>X</td></tr><tr><td>TEAK</td><td>X</td><td>X</td></tr></table>		X	X	HPL	X	X	TEAK	X	X	w/teak top										
	X	X																				
HPL	X	X																				
TEAK	X	X																				
						 net kg 47,5  pack m³ m³ 0,284  net kg 48,5  pack m³ m³ 0,284																

### STRUCTURAL COMPONENTS

COLLECTION OF FIXED AND EXTENDING TABLES WITH POWDER COATED STAINLESS STEEL STRUCTURE; TOPS AND FEET AVAILABLE IN DIFFERENT MATERIALS AND FINISHES.  
TOP: HPL, TEAK.

### INSTRUCTIONS FOR USING THE PRODUCT PROPERLY AND SAFELY

VARASCHIN IS NOT LIABLE FOR DAMAGE CAUSED BY IMPROPER USE. THE SAME APPLIES TO DAMAGE DERIVING FROM USE IN EXTREME WEATHER CONDITIONS OR LACK OF CARE. TIPS FOR EXTENDING LONGEVITY OF COMPONENTS: DURING THE WINTER STORE IN A DRY AND CLOSED PLACE TO AVOID CONDENSATION .

DO NOT STEP ON WITH FEET. DO NOT SWING BACK AND FORTH ON THE LEGS. DO NOT SIT. DO NOT USE AS A LADDER. BUTTONS AND THE ZIPPERS OF CLOTHING MAY CAUSE DAMAGE TO THE MATERIALS. IF NECESSARY, PLEASE CONTACT VARASCHIN SPA.

WOOD COLOUR CHANGES MAY OCCUR AFTER SOME TIME DUE TO EXPOSURE TO SUNLIGHT. THIS PRODUCT "FEARS" HEAT SOURCES AND TOO MUCH HUMIDITY, THEREFORE PAY ATTENTION WHERE YOU PLACE IT.

### GENERAL INSTRUCTIONS FOR MAINTENANCE AND CLEANING

FOR DAILY CLEANING USE A DRY COTTON CLOTH. FOR MORE THOROUGH CLEANING USE ONLY A NEUTRAL PRODUCT DILUTED IN WARM WATER. NEVER USE ALCOHOL, AMMONIUM, THINNERS OR ABRASIVE PRODUCTS. IN MARINE ENVIRONMENTS ARTICLE SHOULD BE WEEKLY WHASED WITH FRESH WATER. WE WOULD ADVISE USING GOLDEN CARE PRODUCTS AS THEY ARE SPECIALLY DESIGNED FOR CLEANING METAL, GLASS AND SYNTHETIC FIBRES.

### GENERAL INFORMATION

N.B.: VARASCHIN SPA GUARANTEES THAT THE PRODUCT IS MADE OF QUALITY MATERIALS, USING THE BEST TECHNOLOGIES IN THE TRADE. THE COMPANY DECLINES ALL AND ANY LIABILITY FOR DAMAGE TO PERSONS AND/OR THINGS DUE TO IMPROPER USE OF THE PRODUCT. IF IN DOUBT PLEASE CONTACT THE MANUFACTURER.

### DISPOSAL

PLEASE DO NOT JUST THROW OUT THE PIECE OF FURNITURE OR ANY PART OF IT. WHEN IT IS NO LONGER WANTED, CALL THE DISPOSAL COMPANY TO HAVE IT TAKEN TO A COLLECTION OR RECOVERY POINT.

### FIRE-FIGHTING MEASURES

ALTHOUGH THE PRODUCT IS INFLAMMABLE, IT IS COMBUSTIBLE. THERE ARE NO RESTRICTIONS ON THE TYPES OF EXTINGUISHERS: POWDER, WATER, FOAM OR CO2. USE SUITABLE PROTECTION TO AVOID BREATHING IN FUMES. DURING DISPOSAL TAKE SPECIAL CARE TO PROTECT THE RESPIRATORY SYSTEM.

### PRODUCT WARRANTY

REFER TO ARTICLE 3 "PRODUCT WARRANTY" PUBLISHED ON SALES CONDITIONS, DOCUMENTS OF SALE, WEBSITE [www.varaschin.it](http://www.varaschin.it)

TECHNICAL INFO SHEET: This product information sheet complies with Italian Legislative Decree No. 206 of 6 September 2005, "Consumer Code".

The information given above refers to the latest data published in the price list. The company reserves the right to alter the models without notice.

**COMPANY WITH SYSTEM MANAGEMENT QUALITY CERTIFIED UNI EN ISO 9001: 2008**





## LINK

design ALAIN GILLES

Collection of fixed and extending tables with powder coated stainless steel structure; tops and feet available in different materials and finishes.

cod. **2221**

### FINISHES AVAILABLE

### DIMENSIONS



table



cover: **9435**



#### METAL structure:

	IN	OUT
WHITE	X	X
MOKA	X	X
GREY	X	X
SILK GREY	X	X

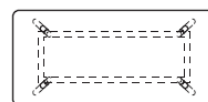
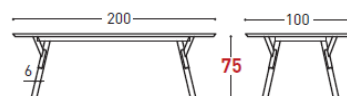
#### leg:

METAL	X	X
TEAK	X	X

#### top:

HPL	X	X
TEAK	X	X

**200x100 (h 75)**



**200x100 FIXED**

disassembled in 2 pieces

w/hpl top	kg	net kg 58
	m <sup>3</sup>	pack m <sup>3</sup> m <sup>3</sup> 0,339

w/teak top	kg	net kg 59,5
	m <sup>3</sup>	pack m <sup>3</sup> m <sup>3</sup> 0,339

### STRUCTURAL COMPONENTS

COLLECTION OF FIXED AND EXTENDING TABLES WITH POWDER COATED STAINLESS STEEL STRUCTURE; TOPS AND FEET AVAILABLE IN DIFFERENT MATERIALS AND FINISHES.

TOP: HPL, TEAK.

### INSTRUCTIONS FOR USING THE PRODUCT PROPERLY AND SAFELY

VARASCHIN IS NOT LIABLE FOR DAMAGE CAUSED BY IMPROPER USE. THE SAME APPLIES TO DAMAGE DERIVING FROM USE IN EXTREME WEATHER CONDITIONS OR LACK OF CARE. TIPS FOR EXTENDING LONGEVITY OF COMPONENTS: DURING THE WINTER STORE IN A DRY AND CLOSED PLACE TO AVOID CONDENSATION .

DO NOT STEP ON WITH FEET. DO NOT SWING BACK AND FORTH ON THE LEGS. DO NOT SIT. DO NOT USE AS A LADDER. BUTTONS AND THE ZIPPERS OF CLOTHING MAY CAUSE DAMAGE TO THE MATERIALS. IF NECESSARY, PLEASE CONTACT VARASCHIN SPA.

WOOD COLOUR CHANGES MAY OCCUR AFTER SOME TIME DUE TO EXPOSURE TO SUNLIGHT. THIS PRODUCT "FEARS" HEAT SOURCES AND TOO MUCH HUMIDITY, THEREFORE PAY ATTENTION WHERE YOU PLACE IT.

### GENERAL INSTRUCTIONS FOR MAINTENANCE AND CLEANING

FOR DAILY CLEANING USE A DRY COTTON CLOTH. FOR MORE THOROUGH CLEANING USE ONLY A NEUTRAL PRODUCT DILUTED IN WARM WATER. NEVER USE ALCOHOL, AMMONIUM, THINNERS OR ABRASIVE PRODUCTS. IN MARINE ENVIRONMENTS ARTICLE SHOULD BE WEEKLY WHASED WITH FRESH WATER. WE WOULD ADVISE USING GOLDEN CARE PRODUCTS AS THEY ARE SPECIALLY DESIGNED FOR CLEANING METAL, GLASS AND SYNTHETIC FIBRES.

### GENERAL INFORMATION

N.B.: VARASCHIN SPA GUARANTEES THAT THE PRODUCT IS MADE OF QUALITY MATERIALS, USING THE BEST TECHNOLOGIES IN THE TRADE. THE COMPANY DECLINES ALL AND ANY LIABILITY FOR DAMAGE TO PERSONS AND/OR THINGS DUE TO IMPROPER USE OF THE PRODUCT. IF IN DOUBT PLEASE CONTACT THE MANUFACTURER.

### DISPOSAL

PLEASE DO NOT JUST THROW OUT THE PIECE OF FURNITURE OR ANY PART OF IT. WHEN IT IS NO LONGER WANTED, CALL THE DISPOSAL COMPANY TO HAVE IT TAKEN TO A COLLECTION OR RECOVERY POINT.

### FIRE-FIGHTING MEASURES

ALTHOUGH THE PRODUCT IS INFLAMMABLE, IT IS COMBUSTIBLE. THERE ARE NO RESTRICTIONS ON THE TYPES OF EXTINGUISHERS: POWDER, WATER, FOAM OR CO2. USE SUITABLE PROTECTION TO AVOID BREATHING IN FUMES. DURING DISPOSAL TAKE SPECIAL CARE TO PROTECT THE RESPIRATORY SYSTEM.

### PRODUCT WARRANTY

REFER TO ARTICLE 3 "PRODUCT WARRANTY" PUBLISHED ON SALES CONDITIONS, DOCUMENTS OF SALE, WEBSITE [www.varaschin.it](http://www.varaschin.it)

TECHNICAL INFO SHEET: This product information sheet complies with Italian Legislative Decree No. 206 of 6 September 2005, "Consumer Code".

The information given above refers to the latest data published in the price list. The company reserves the right to alter the models without notice.







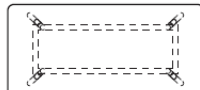



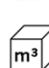
**COMPANY WITH SYSTEM MANAGEMENT QUALITY CERTIFIED UNI EN ISO 9001: 2008**



## LINK

design ALAIN GILLES

Collection of fixed and extending tables with powder coated stainless steel structure; tops and feet available in different materials and finishes.

cod. <b>2221L</b>	FINISHES AVAILABLE	DIMENSIONS	 															
<b>table</b>   cover: <b>9435</b> 	<b>METAL structure:</b> <table border="1"> <tr><td></td><td>IN</td><td>OUT</td></tr> <tr><td>WHITE</td><td>X</td><td>X</td></tr> <tr><td>MOKA</td><td>X</td><td>X</td></tr> <tr><td>GREY</td><td>X</td><td>X</td></tr> <tr><td>SILK GREY</td><td>X</td><td>X</td></tr> </table>		IN	OUT	WHITE	X	X	MOKA	X	X	GREY	X	X	SILK GREY	X	X	<b>200x100 (h 65)</b>   <b>200x100 FIXED</b>	disassembled in 2 pieces  <b>net</b> kg 58  <b>pack</b> m³ 0,339
		IN	OUT															
WHITE	X	X																
MOKA	X	X																
GREY	X	X																
SILK GREY	X	X																
<b>leg:</b> <table border="1"> <tr><td></td><td>X</td><td>X</td></tr> <tr><td>METAL</td><td>X</td><td>X</td></tr> <tr><td>TEAK</td><td>X</td><td>X</td></tr> </table>		X	X	METAL	X	X	TEAK	X	X	 <b>net</b> kg 59,5  <b>pack</b> m³ 0,339								
	X	X																
METAL	X	X																
TEAK	X	X																

### STRUCTURAL COMPONENTS

COLLECTION OF FIXED AND EXTENDING TABLES WITH POWDER COATED STAINLESS STEEL STRUCTURE; TOPS AND FEET AVAILABLE IN DIFFERENT MATERIALS AND FINISHES.  
TOP: HPL, TEAK.

### INSTRUCTIONS FOR USING THE PRODUCT PROPERLY AND SAFELY

VARASCHIN IS NOT LIABLE FOR DAMAGE CAUSED BY IMPROPER USE. THE SAME APPLIES TO DAMAGE DERIVING FROM USE IN EXTREME WEATHER CONDITIONS OR LACK OF CARE. TIPS FOR EXTENDING LONGEVITY OF COMPONENTS: DURING THE WINTER STORE IN A DRY AND CLOSED PLACE TO AVOID CONDENSATION .

DO NOT STEP ON WITH FEET. DO NOT SWING BACK AND FORTH ON THE LEGS. DO NOT SIT. DO NOT USE AS A LADDER. BUTTONS AND THE ZIPPERS OF CLOTHING MAY CAUSE DAMAGE TO THE MATERIALS. IF NECESSARY, PLEASE CONTACT VARASCHIN SPA.

WOOD COLOUR CHANGES MAY OCCUR AFTER SOME TIME DUE TO EXPOSURE TO SUNLIGHT. THIS PRODUCT "FEARS" HEAT SOURCES AND TOO MUCH HUMIDITY, THEREFORE PAY ATTENTION WHERE YOU PLACE IT.

### GENERAL INSTRUCTIONS FOR MAINTENANCE AND CLEANING

FOR DAILY CLEANING USE A DRY COTTON CLOTH. FOR MORE THOROUGH CLEANING USE ONLY A NEUTRAL PRODUCT DILUTED IN WARM WATER. NEVER USE ALCOHOL, AMMONIUM, THINNERS OR ABRASIVE PRODUCTS. IN MARINE ENVIRONMENTS ARTICLE SHOULD BE WEEKLY WHASED WITH FRESH WATER. WE WOULD ADVISE USING GOLDEN CARE PRODUCTS AS THEY ARE SPECIALLY DESIGNED FOR CLEANING METAL, GLASS AND SYNTHETIC FIBRES.

### GENERAL INFORMATION

N.B.: VARASCHIN SPA GUARANTEES THAT THE PRODUCT IS MADE OF QUALITY MATERIALS, USING THE BEST TECHNOLOGIES IN THE TRADE. THE COMPANY DECLINES ALL AND ANY LIABILITY FOR DAMAGE TO PERSONS AND/OR THINGS DUE TO IMPROPER USE OF THE PRODUCT. IF IN DOUBT PLEASE CONTACT THE MANUFACTURER.

### DISPOSAL

PLEASE DO NOT JUST THROW OUT THE PIECE OF FURNITURE OR ANY PART OF IT. WHEN IT IS NO LONGER WANTED, CALL THE DISPOSAL COMPANY TO HAVE IT TAKEN TO A COLLECTION OR RECOVERY POINT.

### FIRE-FIGHTING MEASURES

ALTHOUGH THE PRODUCT IS INFLAMMABLE, IT IS COMBUSTIBLE. THERE ARE NO RESTRICTIONS ON THE TYPES OF EXTINGUISHERS: POWDER, WATER, FOAM OR CO2. USE SUITABLE PROTECTION TO AVOID BREATHING IN FUMES. DURING DISPOSAL TAKE SPECIAL CARE TO PROTECT THE RESPIRATORY SYSTEM.

### PRODUCT WARRANTY

REFER TO ARTICLE 3 "PRODUCT WARRANTY" PUBLISHED ON SALES CONDITIONS, DOCUMENTS OF SALE, WEBSITE [www.varaschin.it](http://www.varaschin.it)

TECHNICAL INFO SHEET: This product information sheet complies with Italian Legislative Decree No. 206 of 6 September 2005, "Consumer Code".

The information given above refers to the latest data published in the price list. The company reserves the right to alter the models without notice.






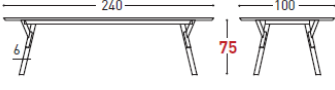


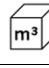


**COMPANY WITH SYSTEM MANAGEMENT QUALITY CERTIFIED UNI EN ISO 9001: 2008**



## LINK

design ALAIN GILLES

Collection of fixed and extending tables with powder coated stainless steel structure; tops and feet available in different materials and finishes.

cod. <b>2222</b>		FINISHES AVAILABLE		DIMENSIONS		 															
<b>table</b>   cover: <b>9436</b> 	<b>METAL structure:</b> <table border="1"> <tr> <td></td> <td>IN</td> <td>OUT</td> </tr> <tr> <td>WHITE</td> <td>X</td> <td>X</td> </tr> <tr> <td>MOKA</td> <td>X</td> <td>X</td> </tr> <tr> <td>GREY</td> <td>X</td> <td>X</td> </tr> <tr> <td>SILK GREY</td> <td>X</td> <td>X</td> </tr> </table>			IN	OUT	WHITE	X	X	MOKA	X	X	GREY	X	X	SILK GREY	X	X	<b>240x100 (h 75)</b>  		disassembled in 2 pieces  net kg 67  pack m³ m³ 0,47	
		IN	OUT																		
	WHITE	X	X																		
	MOKA	X	X																		
GREY	X	X																			
SILK GREY	X	X																			
<b>leg:</b> <table border="1"> <tr> <td></td> <td>X</td> <td>X</td> </tr> <tr> <td>METAL</td> <td>X</td> <td>X</td> </tr> <tr> <td>TEAK</td> <td>X</td> <td>X</td> </tr> </table>			X	X	METAL	X	X	TEAK	X	X	<b>240x100 FIXED</b>		w/hpl top  net kg 68,5  pack m³ m³ 0,47								
	X	X																			
METAL	X	X																			
TEAK	X	X																			
<b>top:</b> <table border="1"> <tr> <td></td> <td>X</td> <td>X</td> </tr> <tr> <td>HPL</td> <td>X</td> <td>X</td> </tr> <tr> <td>TEAK</td> <td>X</td> <td>X</td> </tr> </table>			X	X	HPL	X	X	TEAK	X	X											
	X	X																			
HPL	X	X																			
TEAK	X	X																			

### STRUCTURAL COMPONENTS

COLLECTION OF FIXED AND EXTENDING TABLES WITH POWDER COATED STAINLESS STEEL STRUCTURE; TOPS AND FEET AVAILABLE IN DIFFERENT MATERIALS AND FINISHES.  
TOP: HPL, TEAK.

### INSTRUCTIONS FOR USING THE PRODUCT PROPERLY AND SAFELY

VARASCHIN IS NOT LIABLE FOR DAMAGE CAUSED BY IMPROPER USE. THE SAME APPLIES TO DAMAGE DERIVING FROM USE IN EXTREME WEATHER CONDITIONS OR LACK OF CARE. TIPS FOR EXTENDING LONGEVITY OF COMPONENTS: DURING THE WINTER STORE IN A DRY AND CLOSED PLACE TO AVOID CONDENSATION .

DO NOT STEP ON WITH FEET. DO NOT SWING BACK AND FORTH ON THE LEGS. DO NOT SIT. DO NOT USE AS A LADDER. BUTTONS AND THE ZIPPERS OF CLOTHING MAY CAUSE DAMAGE TO THE MATERIALS. IF NECESSARY, PLEASE CONTACT VARASCHIN SPA.

WOOD COLOUR CHANGES MAY OCCUR AFTER SOME TIME DUE TO EXPOSURE TO SUNLIGHT. THIS PRODUCT "FEARS" HEAT SOURCES AND TOO MUCH HUMIDITY, THEREFORE PAY ATTENTION WHERE YOU PLACE IT.

### GENERAL INSTRUCTIONS FOR MAINTENANCE AND CLEANING

FOR DAILY CLEANING USE A DRY COTTON CLOTH. FOR MORE THOROUGH CLEANING USE ONLY A NEUTRAL PRODUCT DILUTED IN WARM WATER. NEVER USE ALCOHOL, AMMONIUM, THINNERS OR ABRASIVE PRODUCTS. IN MARINE ENVIRONMENTS ARTICLE SHOULD BE WEEKLY WHASED WITH FRESH WATER. WE WOULD ADVISE USING GOLDEN CARE PRODUCTS AS THEY ARE SPECIALLY DESIGNED FOR CLEANING METAL, GLASS AND SYNTHETIC FIBRES.

### GENERAL INFORMATION

N.B.: VARASCHIN SPA GUARANTEES THAT THE PRODUCT IS MADE OF QUALITY MATERIALS, USING THE BEST TECHNOLOGIES IN THE TRADE. THE COMPANY DECLINES ALL AND ANY LIABILITY FOR DAMAGE TO PERSONS AND/OR THINGS DUE TO IMPROPER USE OF THE PRODUCT. IF IN DOUBT PLEASE CONTACT THE MANUFACTURER.

### DISPOSAL

PLEASE DO NOT JUST THROW OUT THE PIECE OF FURNITURE OR ANY PART OF IT. WHEN IT IS NO LONGER WANTED, CALL THE DISPOSAL COMPANY TO HAVE IT TAKEN TO A COLLECTION OR RECOVERY POINT.

### FIRE-FIGHTING MEASURES

ALTHOUGH THE PRODUCT IS INFLAMMABLE, IT IS COMBUSTIBLE. THERE ARE NO RESTRICTIONS ON THE TYPES OF EXTINGUISHERS: POWDER, WATER, FOAM OR CO2. USE SUITABLE PROTECTION TO AVOID BREATHING IN FUMES. DURING DISPOSAL TAKE SPECIAL CARE TO PROTECT THE RESPIRATORY SYSTEM.

### PRODUCT WARRANTY

REFER TO ARTICLE 3 "PRODUCT WARRANTY" PUBLISHED ON SALES CONDITIONS, DOCUMENTS OF SALE, WEBSITE [www.varaschin.it](http://www.varaschin.it)

TECHNICAL INFO SHEET: This product information sheet complies with Italian Legislative Decree No. 206 of 6 September 2005, "Consumer Code".

The information given above refers to the latest data published in the price list. The company reserves the right to alter the models without notice.





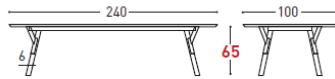






**COMPANY WITH SYSTEM MANAGEMENT QUALITY CERTIFIED UNI EN ISO 9001: 2008**



## LINK

design ALAIN GILLES

Collection of fixed and extending tables with powder coated stainless steel structure; tops and feet available in different materials and finishes.

cod. <b>2222L</b>		FINISHES AVAILABLE		DIMENSIONS		 										
table	 	METAL structure:	<table border="1"> <tr><th>IN</th><th>OUT</th></tr> <tr><td>X</td><td>X</td></tr> <tr><td>X</td><td>X</td></tr> <tr><td>X</td><td>X</td></tr> <tr><td>X</td><td>X</td></tr> </table>	IN	OUT	X	X	X	X	X	X	X	X	<b>240x100 (h 65)</b>  	 disassembled in 2 pieces	 net kg 67  pack m <sup>3</sup> m <sup>3</sup> 0,47
		IN	OUT													
		X	X													
		X	X													
X	X															
X	X															
leg:	<table border="1"> <tr><td>X</td><td>X</td></tr> <tr><td>X</td><td>X</td></tr> </table>	X	X	X	X	 net kg 68,5  pack m <sup>3</sup> m <sup>3</sup> 0,47										
X	X															
X	X															
top:	<table border="1"> <tr><td>X</td><td>X</td></tr> <tr><td>X</td><td>X</td></tr> </table>	X	X	X	X											
X	X															
X	X															
cover: <b>9436</b>																

 **MODELLO REGISTRATO**  
REGISTERED MODEL

**240x100 FIXED**

### STRUCTURAL COMPONENTS

COLLECTION OF FIXED AND EXTENDING TABLES WITH POWDER COATED STAINLESS STEEL STRUCTURE; TOPS AND FEET AVAILABLE IN DIFFERENT MATERIALS AND FINISHES.  
TOP: HPL, TEAK.

### INSTRUCTIONS FOR USING THE PRODUCT PROPERLY AND SAFELY

VARASCHIN IS NOT LIABLE FOR DAMAGE CAUSED BY IMPROPER USE. THE SAME APPLIES TO DAMAGE DERIVING FROM USE IN EXTREME WEATHER CONDITIONS OR LACK OF CARE. TIPS FOR EXTENDING LONGEVITY OF COMPONENTS: DURING THE WINTER STORE IN A DRY AND CLOSED PLACE TO AVOID CONDENSATION .

DO NOT STEP ON WITH FEET. DO NOT SWING BACK AND FORTH ON THE LEGS. DO NOT SIT. DO NOT USE AS A LADDER. BUTTONS AND THE ZIPPERS OF CLOTHING MAY CAUSE DAMAGE TO THE MATERIALS. IF NECESSARY, PLEASE CONTACT VARASCHIN SPA.

WOOD COLOUR CHANGES MAY OCCUR AFTER SOME TIME DUE TO EXPOSURE TO SUNLIGHT. THIS PRODUCT "FEARS" HEAT SOURCES AND TOO MUCH HUMIDITY, THEREFORE PAY ATTENTION WHERE YOU PLACE IT.

### GENERAL INSTRUCTIONS FOR MAINTENANCE AND CLEANING

FOR DAILY CLEANING USE A DRY COTTON CLOTH. FOR MORE THOROUGH CLEANING USE ONLY A NEUTRAL PRODUCT DILUTED IN WARM WATER. NEVER USE ALCOHOL, AMMONIUM, THINNERS OR ABRASIVE PRODUCTS. IN MARINE ENVIRONMENTS ARTICLE SHOULD BE WEEKLY WHASED WITH FRESH WATER. WE WOULD ADVISE USING GOLDEN CARE PRODUCTS AS THEY ARE SPECIALLY DESIGNED FOR CLEANING METAL, GLASS AND SYNTHETIC FIBRES.

### GENERAL INFORMATION

N.B.: VARASCHIN SPA GUARANTEES THAT THE PRODUCT IS MADE OF QUALITY MATERIALS, USING THE BEST TECHNOLOGIES IN THE TRADE. THE COMPANY DECLINES ALL AND ANY LIABILITY FOR DAMAGE TO PERSONS AND/OR THINGS DUE TO IMPROPER USE OF THE PRODUCT. IF IN DOUBT PLEASE CONTACT THE MANUFACTURER.

### DISPOSAL

PLEASE DO NOT JUST THROW OUT THE PIECE OF FURNITURE OR ANY PART OF IT. WHEN IT IS NO LONGER WANTED, CALL THE DISPOSAL COMPANY TO HAVE IT TAKEN TO A COLLECTION OR RECOVERY POINT.

### FIRE-FIGHTING MEASURES

ALTHOUGH THE PRODUCT IS INFLAMMABLE, IT IS COMBUSTIBLE. THERE ARE NO RESTRICTIONS ON THE TYPES OF EXTINGUISHERS: POWDER, WATER, FOAM OR CO2. USE SUITABLE PROTECTION TO AVOID BREATHING IN FUMES. DURING DISPOSAL TAKE SPECIAL CARE TO PROTECT THE RESPIRATORY SYSTEM.

### PRODUCT WARRANTY

REFER TO ARTICLE 3 "PRODUCT WARRANTY" PUBLISHED ON SALES CONDITIONS, DOCUMENTS OF SALE, WEBSITE [www.varaschin.it](http://www.varaschin.it)

TECHNICAL INFO SHEET: This product information sheet complies with Italian Legislative Decree No. 206 of 6 September 2005, "Consumer Code".

The information given above refers to the latest data published in the price list. The company reserves the right to alter the models without notice.

**COMPANY WITH SYSTEM MANAGEMENT QUALITY CERTIFIED UNI EN ISO 9001: 2008**





## LINK

design ALAIN GILLES

Collection of fixed and extending tables with powder coated stainless steel structure; tops and feet available in different materials and finishes.

cod. **2223**

### FINISHES AVAILABLE

### DIMENSIONS



table



cover: **9420**



#### METAL structure:

	IN	OUT
WHITE	X	X
MOKA	X	X
GREY	X	X
SILK GREY	X	X

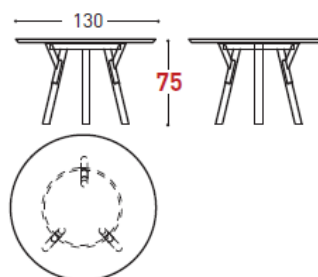
#### leg:

METAL	X	X
TEAK	X	X

#### top:

HPL	X	X
-----	---	---

**Ø 130 (h 75)**



disassembled in 2 pieces

w/hpl top	kg	net
		kg 42
	m <sup>3</sup>	pack m <sup>3</sup>
		m <sup>3</sup> 0,292

### STRUCTURAL COMPONENTS

COLLECTION OF FIXED AND EXTENDING TABLES WITH POWDER COATED STAINLESS STEEL STRUCTURE; TOPS AND FEET AVAILABLE IN DIFFERENT MATERIALS AND FINISHES.

TOP: HPL.

### INSTRUCTIONS FOR USING THE PRODUCT PROPERLY AND SAFELY

VARASCHIN IS NOT LIABLE FOR DAMAGE CAUSED BY IMPROPER USE. THE SAME APPLIES TO DAMAGE DERIVING FROM USE IN EXTREME WEATHER CONDITIONS OR LACK OF CARE. TIPS FOR EXTENDING LONGEVITY OF COMPONENTS: DURING THE WINTER STORE IN A DRY AND CLOSED PLACE TO AVOID CONDENSATION .

DO NOT STEP ON WITH FEET. DO NOT SWING BACK AND FORTH ON THE LEGS. DO NOT SIT. DO NOT USE AS A LADDER. BUTTONS AND THE ZIPPERS OF CLOTHING MAY CAUSE DAMAGE TO THE MATERIALS. IF NECESSARY, PLEASE CONTACT VARASCHIN SPA.

WOOD COLOUR CHANGES MAY OCCUR AFTER SOME TIME DUE TO EXPOSURE TO SUNLIGHT. THIS PRODUCT "FEARS" HEAT SOURCES AND TOO MUCH HUMIDITY, THEREFORE PAY ATTENTION WHERE YOU PLACE IT.

### GENERAL INSTRUCTIONS FOR MAINTENANCE AND CLEANING

FOR DAILY CLEANING USE A DRY COTTON CLOTH. FOR MORE THOROUGH CLEANING USE ONLY A NEUTRAL PRODUCT DILUTED IN WARM WATER. NEVER USE ALCOHOL, AMMONIUM, THINNERS OR ABRASIVE PRODUCTS. IN MARINE ENVIRONMENTS ARTICLE SHOULD BE WEEKLY WHASED WITH FRESH WATER. WE WOULD ADVISE USING GOLDEN CARE PRODUCTS AS THEY ARE SPECIALLY DESIGNED FOR CLEANING METAL, GLASS AND SYNTHETIC FIBRES.

### GENERAL INFORMATION

N.B.: VARASCHIN SPA GUARANTEES THAT THE PRODUCT IS MADE OF QUALITY MATERIALS, USING THE BEST TECHNOLOGIES IN THE TRADE. THE COMPANY DECLINES ALL AND ANY LIABILITY FOR DAMAGE TO PERSONS AND/OR THINGS DUE TO IMPROPER USE OF THE PRODUCT. IF IN DOUBT PLEASE CONTACT THE MANUFACTURER.

### DISPOSAL

PLEASE DO NOT JUST THROW OUT THE PIECE OF FURNITURE OR ANY PART OF IT. WHEN IT IS NO LONGER WANTED, CALL THE DISPOSAL COMPANY TO HAVE IT TAKEN TO A COLLECTION OR RECOVERY POINT.

### FIRE-FIGHTING MEASURES

ALTHOUGH THE PRODUCT IS INFLAMMABLE, IT IS COMBUSTIBLE. THERE ARE NO RESTRICTIONS ON THE TYPES OF EXTINGUISHERS: POWDER, WATER, FOAM OR CO2. USE SUITABLE PROTECTION TO AVOID BREATHING IN FUMES. DURING DISPOSAL TAKE SPECIAL CARE TO PROTECT THE RESPIRATORY SYSTEM.

### PRODUCT WARRANTY

REFER TO ARTICLE 3 "PRODUCT WARRANTY" PUBLISHED ON SALES CONDITIONS, DOCUMENTS OF SALE, WEBSITE [www.varaschin.it](http://www.varaschin.it)

TECHNICAL INFO SHEET: This product information sheet complies with Italian Legislative Decree No. 206 of 6 September 2005, "Consumer Code".

The information given above refers to the latest data published in the price list. The company reserves the right to alter the models without notice.

**COMPANY WITH SYSTEM MANAGEMENT QUALITY CERTIFIED UNI EN ISO 9001: 2008**



## LINK

design ALAIN GILLES

Collection of fixed and extending tables with powder coated stainless steel structure; tops and feet available in different materials and finishes.

cod. **2223L**

FINISHES AVAILABLE

DIMENSIONS



table



cover: **9420**



METAL structure:

	IN	OUT
WHITE	X	X
MOKA	X	X
GREY	X	X
SILK GREY	X	X

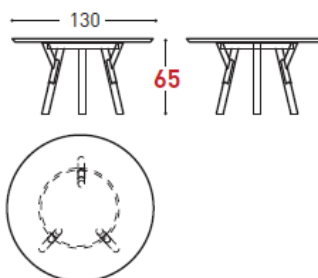
leg:

METAL	X	X
TEAK	X	X

top:

HPL	X	X
-----	---	---

Ø **130** (h **65**)



disassembled in 2 pieces

w/hpl top	kg	net
		kg 42
	m <sup>3</sup>	pack m <sup>3</sup>
		m <sup>3</sup> 0,292

### STRUCTURAL COMPONENTS

COLLECTION OF FIXED AND EXTENDING TABLES WITH POWDER COATED STAINLESS STEEL STRUCTURE; TOPS AND FEET AVAILABLE IN DIFFERENT MATERIALS AND FINISHES.

TOP: HPL.

### INSTRUCTIONS FOR USING THE PRODUCT PROPERLY AND SAFELY

VARASCHIN IS NOT LIABLE FOR DAMAGE CAUSED BY IMPROPER USE. THE SAME APPLIES TO DAMAGE DERIVING FROM USE IN EXTREME WEATHER CONDITIONS OR LACK OF CARE. TIPS FOR EXTENDING LONGEVITY OF COMPONENTS: DURING THE WINTER STORE IN A DRY AND CLOSED PLACE TO AVOID CONDENSATION .

DO NOT STEP ON WITH FEET. DO NOT SWING BACK AND FORTH ON THE LEGS. DO NOT SIT. DO NOT USE AS A LADDER. BUTTONS AND THE ZIPPERS OF CLOTHING MAY CAUSE DAMAGE TO THE MATERIALS. IF NECESSARY, PLEASE CONTACT VARASCHIN SPA.

WOOD COLOUR CHANGES MAY OCCUR AFTER SOME TIME DUE TO EXPOSURE TO SUNLIGHT. THIS PRODUCT "FEARS" HEAT SOURCES AND TOO MUCH HUMIDITY, THEREFORE PAY ATTENTION WHERE YOU PLACE IT.

### GENERAL INSTRUCTIONS FOR MAINTENANCE AND CLEANING

FOR DAILY CLEANING USE A DRY COTTON CLOTH. FOR MORE THOROUGH CLEANING USE ONLY A NEUTRAL PRODUCT DILUTED IN WARM WATER. NEVER USE ALCOHOL, AMMONIUM, THINNERS OR ABRASIVE PRODUCTS. IN MARINE ENVIRONMENTS ARTICLE SHOULD BE WEEKLY WHASED WITH FRESH WATER. WE WOULD ADVISE USING GOLDEN CARE PRODUCTS AS THEY ARE SPECIALLY DESIGNED FOR CLEANING METAL, GLASS AND SYNTHETIC FIBRES.

### GENERAL INFORMATION

N.B.: VARASCHIN SPA GUARANTEES THAT THE PRODUCT IS MADE OF QUALITY MATERIALS, USING THE BEST TECHNOLOGIES IN THE TRADE. THE COMPANY DECLINES ALL AND ANY LIABILITY FOR DAMAGE TO PERSONS AND/OR THINGS DUE TO IMPROPER USE OF THE PRODUCT. IF IN DOUBT PLEASE CONTACT THE MANUFACTURER.

### DISPOSAL

PLEASE DO NOT JUST THROW OUT THE PIECE OF FURNITURE OR ANY PART OF IT. WHEN IT IS NO LONGER WANTED, CALL THE DISPOSAL COMPANY TO HAVE IT TAKEN TO A COLLECTION OR RECOVERY POINT.

### FIRE-FIGHTING MEASURES

ALTHOUGH THE PRODUCT IS INFLAMMABLE, IT IS COMBUSTIBLE. THERE ARE NO RESTRICTIONS ON THE TYPES OF EXTINGUISHERS: POWDER, WATER, FOAM OR CO2. USE SUITABLE PROTECTION TO AVOID BREATHING IN FUMES. DURING DISPOSAL TAKE SPECIAL CARE TO PROTECT THE RESPIRATORY SYSTEM.

### PRODUCT WARRANTY

REFER TO ARTICLE 3 "PRODUCT WARRANTY" PUBLISHED ON SALES CONDITIONS, DOCUMENTS OF SALE, WEBSITE [www.varaschin.it](http://www.varaschin.it)

TECHNICAL INFO SHEET: This product information sheet complies with Italian Legislative Decree No. 206 of 6 September 2005, "Consumer Code".

The information given above refers to the latest data published in the price list. The company reserves the right to alter the models without notice.

**COMPANY WITH SYSTEM MANAGEMENT QUALITY CERTIFIED UNI EN ISO 9001: 2008**



## LINK

design ALAIN GILLES

Collection of fixed and extending tables with powder coated stainless steel structure; tops and feet available in different materials and finishes.

cod. **2224**

### FINISHES AVAILABLE

### DIMENSIONS



table



cover: **9420**



#### METAL structure:

	IN	OUT
WHITE	X	X
MOKA	X	X
GREY	X	X
SILK GREY	X	X

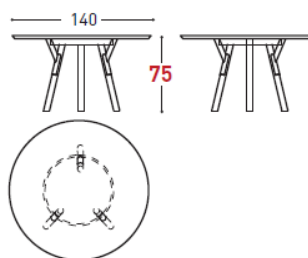
#### leg:

METAL	X	X
TEAK	X	X

#### top:

HPL	X	X
-----	---	---

Ø 140 (h 75)



disassembled in 2 pieces

w/hpl top	kg	net
		kg 46
	m <sup>3</sup>	pack m <sup>3</sup>
		m <sup>3</sup> 0,325

### STRUCTURAL COMPONENTS

COLLECTION OF FIXED AND EXTENDING TABLES WITH POWDER COATED STAINLESS STEEL STRUCTURE; TOPS AND FEET AVAILABLE IN DIFFERENT MATERIALS AND FINISHES.

TOP: HPL.

### INSTRUCTIONS FOR USING THE PRODUCT PROPERLY AND SAFELY

VARASCHIN IS NOT LIABLE FOR DAMAGE CAUSED BY IMPROPER USE. THE SAME APPLIES TO DAMAGE DERIVING FROM USE IN EXTREME WEATHER CONDITIONS OR LACK OF CARE. TIPS FOR EXTENDING LONGEVITY OF COMPONENTS: DURING THE WINTER STORE IN A DRY AND CLOSED PLACE TO AVOID CONDENSATION .

DO NOT STEP ON WITH FEET. DO NOT SWING BACK AND FORTH ON THE LEGS. DO NOT SIT. DO NOT USE AS A LADDER. BUTTONS AND THE ZIPPERS OF CLOTHING MAY CAUSE DAMAGE TO THE MATERIALS. IF NECESSARY, PLEASE CONTACT VARASCHIN SPA.

WOOD COLOUR CHANGES MAY OCCUR AFTER SOME TIME DUE TO EXPOSURE TO SUNLIGHT. THIS PRODUCT "FEARS" HEAT SOURCES AND TOO MUCH HUMIDITY, THEREFORE PAY ATTENTION WHERE YOU PLACE IT.

### GENERAL INSTRUCTIONS FOR MAINTENANCE AND CLEANING

FOR DAILY CLEANING USE A DRY COTTON CLOTH. FOR MORE THOROUGH CLEANING USE ONLY A NEUTRAL PRODUCT DILUTED IN WARM WATER. NEVER USE ALCOHOL, AMMONIUM, THINNERS OR ABRASIVE PRODUCTS. IN MARINE ENVIRONMENTS ARTICLE SHOULD BE WEEKLY WHASED WITH FRESH WATER. WE WOULD ADVISE USING GOLDEN CARE PRODUCTS AS THEY ARE SPECIALLY DESIGNED FOR CLEANING METAL, GLASS AND SYNTHETIC FIBRES.

### GENERAL INFORMATION

N.B.: VARASCHIN SPA GUARANTEES THAT THE PRODUCT IS MADE OF QUALITY MATERIALS, USING THE BEST TECHNOLOGIES IN THE TRADE. THE COMPANY DECLINES ALL AND ANY LIABILITY FOR DAMAGE TO PERSONS AND/OR THINGS DUE TO IMPROPER USE OF THE PRODUCT. IF IN DOUBT PLEASE CONTACT THE MANUFACTURER.

### DISPOSAL

PLEASE DO NOT JUST THROW OUT THE PIECE OF FURNITURE OR ANY PART OF IT. WHEN IT IS NO LONGER WANTED, CALL THE DISPOSAL COMPANY TO HAVE IT TAKEN TO A COLLECTION OR RECOVERY POINT.

### FIRE-FIGHTING MEASURES

ALTHOUGH THE PRODUCT IS INFLAMMABLE, IT IS COMBUSTIBLE. THERE ARE NO RESTRICTIONS ON THE TYPES OF EXTINGUISHERS: POWDER, WATER, FOAM OR CO2. USE SUITABLE PROTECTION TO AVOID BREATHING IN FUMES. DURING DISPOSAL TAKE SPECIAL CARE TO PROTECT THE RESPIRATORY SYSTEM.

### PRODUCT WARRANTY

REFER TO ARTICLE 3 "PRODUCT WARRANTY" PUBLISHED ON SALES CONDITIONS, DOCUMENTS OF SALE, WEBSITE [www.varaschin.it](http://www.varaschin.it)

TECHNICAL INFO SHEET: This product information sheet complies with Italian Legislative Decree No. 206 of 6 September 2005, "Consumer Code".

The information given above refers to the latest data published in the price list. The company reserves the right to alter the models without notice.




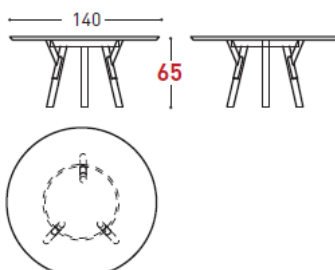



**COMPANY WITH SYSTEM MANAGEMENT QUALITY CERTIFIED UNI EN ISO 9001: 2008**



## LINK

design ALAIN GILLES

Collection of fixed and extending tables with powder coated stainless steel structure; tops and feet available in different materials and finishes.

cod. <b>2224L</b>		FINISHES AVAILABLE		DIMENSIONS		 											
table		METAL structure:	<table border="1"> <tr> <th>IN</th> <th>OUT</th> </tr> <tr> <td>X</td> <td>X</td> </tr> <tr> <td>X</td> <td>X</td> </tr> <tr> <td>X</td> <td>X</td> </tr> <tr> <td>X</td> <td>X</td> </tr> </table>	IN	OUT	X	X	X	X	X	X	X	X	<b>Ø 140 (h 65)</b> 	disassembled in 2 pieces		 net kg 46  pack m³ m³ 0,325
		IN	OUT														
X	X																
X	X																
X	X																
X	X																
leg:	<table border="1"> <tr> <td>X</td> <td>X</td> </tr> <tr> <td>X</td> <td>X</td> </tr> </table>	X	X	X	X												
X	X																
X	X																
cover: <b>9420</b>		top:	<table border="1"> <tr> <td>X</td> <td>X</td> </tr> </table>	X	X												
X	X																
																	

### STRUCTURAL COMPONENTS

COLLECTION OF FIXED AND EXTENDING TABLES WITH POWDER COATED STAINLESS STEEL STRUCTURE; TOPS AND FEET AVAILABLE IN DIFFERENT MATERIALS AND FINISHES.  
TOP: HPL.

### INSTRUCTIONS FOR USING THE PRODUCT PROPERLY AND SAFELY

VARASCHIN IS NOT LIABLE FOR DAMAGE CAUSED BY IMPROPER USE. THE SAME APPLIES TO DAMAGE DERIVING FROM USE IN EXTREME WEATHER CONDITIONS OR LACK OF CARE. TIPS FOR EXTENDING LONGEVITY OF COMPONENTS: DURING THE WINTER STORE IN A DRY AND CLOSED PLACE TO AVOID CONDENSATION .  
DO NOT STEP ON WITH FEET. DO NOT SWING BACK AND FORTH ON THE LEGS. DO NOT SIT. DO NOT USE AS A LADDER. BUTTONS AND THE ZIPPERS OF CLOTHING MAY CAUSE DAMAGE TO THE MATERIALS. IF NECESSARY, PLEASE CONTACT VARASCHIN SPA.  
WOOD COLOUR CHANGES MAY OCCUR AFTER SOME TIME DUE TO EXPOSURE TO SUNLIGHT. THIS PRODUCT "FEARS" HEAT SOURCES AND TOO MUCH HUMIDITY, THEREFORE PAY ATTENTION WHERE YOU PLACE IT.

### GENERAL INSTRUCTIONS FOR MAINTENANCE AND CLEANING

FOR DAILY CLEANING USE A DRY COTTON CLOTH. FOR MORE THOROUGH CLEANING USE ONLY A NEUTRAL PRODUCT DILUTED IN WARM WATER. NEVER USE ALCOHOL, AMMONIUM, THINNERS OR ABRASIVE PRODUCTS. IN MARINE ENVIRONMENTS ARTICLE SHOULD BE WEEKLY WHASED WITH FRESH WATER. WE WOULD ADVISE USING GOLDEN CARE PRODUCTS AS THEY ARE SPECIALLY DESIGNED FOR CLEANING METAL, GLASS AND SYNTHETIC FIBRES.

### GENERAL INFORMATION

N.B.: VARASCHIN SPA GUARANTEES THAT THE PRODUCT IS MADE OF QUALITY MATERIALS, USING THE BEST TECHNOLOGIES IN THE TRADE. THE COMPANY DECLINES ALL AND ANY LIABILITY FOR DAMAGE TO PERSONS AND/OR THINGS DUE TO IMPROPER USE OF THE PRODUCT. IF IN DOUBT PLEASE CONTACT THE MANUFACTURER.

### DISPOSAL

PLEASE DO NOT JUST THROW OUT THE PIECE OF FURNITURE OR ANY PART OF IT. WHEN IT IS NO LONGER WANTED, CALL THE DISPOSAL COMPANY TO HAVE IT TAKEN TO A COLLECTION OR RECOVERY POINT.

### FIRE-FIGHTING MEASURES

ALTHOUGH THE PRODUCT IS INFLAMMABLE, IT IS COMBUSTIBLE. THERE ARE NO RESTRICTIONS ON THE TYPES OF EXTINGUISHERS: POWDER, WATER, FOAM OR CO2. USE SUITABLE PROTECTION TO AVOID BREATHING IN FUMES. DURING DISPOSAL TAKE SPECIAL CARE TO PROTECT THE RESPIRATORY SYSTEM.

### PRODUCT WARRANTY

REFER TO ARTICLE 3 "PRODUCT WARRANTY" PUBLISHED ON SALES CONDITIONS, DOCUMENTS OF SALE, WEBSITE [www.varaschin.it](http://www.varaschin.it)

TECHNICAL INFO SHEET: This product information sheet complies with Italian Legislative Decree No. 206 of 6 September 2005, "Consumer Code".

The information given above refers to the latest data published in the price list. The company reserves the right to alter the models without notice.

COMPANY WITH SYSTEM MANAGEMENT QUALITY CERTIFIED **UNI EN ISO 9001: 2008**





## LINK

design ALAIN GILLES

Collection of fixed and extending tables with powder coated stainless steel structure; tops and feet available in different materials and finishes.

cod. **2225**

### FINISHES AVAILABLE

### DIMENSIONS



table



#### METAL structure:

	IN	OUT
WHITE	X	X
MOKA	X	X
GREY	X	X
SILK GREY	X	X

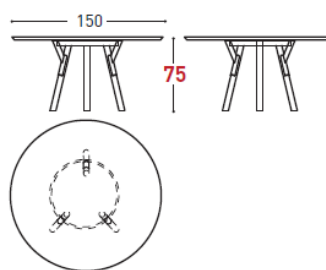
#### leg:

METAL	X	X
TEAK	X	X

#### top:

HPL	X	X
-----	---	---

Ø 150 (h 75)



disassembled in 2 pieces

w/hpl top	kg	net
		kg 50
	m <sup>3</sup>	pack m <sup>3</sup>
		m <sup>3</sup> 0,361

### STRUCTURAL COMPONENTS

COLLECTION OF FIXED AND EXTENDING TABLES WITH POWDER COATED STAINLESS STEEL STRUCTURE; TOPS AND FEET AVAILABLE IN DIFFERENT MATERIALS AND FINISHES.

TOP: HPL.

### INSTRUCTIONS FOR USING THE PRODUCT PROPERLY AND SAFELY

VARASCHIN IS NOT LIABLE FOR DAMAGE CAUSED BY IMPROPER USE. THE SAME APPLIES TO DAMAGE DERIVING FROM USE IN EXTREME WEATHER CONDITIONS OR LACK OF CARE. TIPS FOR EXTENDING LONGEVITY OF COMPONENTS: DURING THE WINTER STORE IN A DRY AND CLOSED PLACE TO AVOID CONDENSATION .

DO NOT STEP ON WITH FEET. DO NOT SWING BACK AND FORTH ON THE LEGS. DO NOT SIT. DO NOT USE AS A LADDER. BUTTONS AND THE ZIPPERS OF CLOTHING MAY CAUSE DAMAGE TO THE MATERIALS. IF NECESSARY, PLEASE CONTACT VARASCHIN SPA.

WOOD COLOUR CHANGES MAY OCCUR AFTER SOME TIME DUE TO EXPOSURE TO SUNLIGHT. THIS PRODUCT "FEARS" HEAT SOURCES AND TOO MUCH HUMIDITY, THEREFORE PAY ATTENTION WHERE YOU PLACE IT.

### GENERAL INSTRUCTIONS FOR MAINTENANCE AND CLEANING

FOR DAILY CLEANING USE A DRY COTTON CLOTH. FOR MORE THOROUGH CLEANING USE ONLY A NEUTRAL PRODUCT DILUTED IN WARM WATER. NEVER USE ALCOHOL, AMMONIUM, THINNERS OR ABRASIVE PRODUCTS. IN MARINE ENVIRONMENTS ARTICLE SHOULD BE WEEKLY WHASED WITH FRESH WATER. WE WOULD ADVISE USING GOLDEN CARE PRODUCTS AS THEY ARE SPECIALLY DESIGNED FOR CLEANING METAL, GLASS AND SYNTHETIC FIBRES.

### GENERAL INFORMATION

N.B.: VARASCHIN SPA GUARANTEES THAT THE PRODUCT IS MADE OF QUALITY MATERIALS, USING THE BEST TECHNOLOGIES IN THE TRADE. THE COMPANY DECLINES ALL AND ANY LIABILITY FOR DAMAGE TO PERSONS AND/OR THINGS DUE TO IMPROPER USE OF THE PRODUCT. IF IN DOUBT PLEASE CONTACT THE MANUFACTURER.

### DISPOSAL

PLEASE DO NOT JUST THROW OUT THE PIECE OF FURNITURE OR ANY PART OF IT. WHEN IT IS NO LONGER WANTED, CALL THE DISPOSAL COMPANY TO HAVE IT TAKEN TO A COLLECTION OR RECOVERY POINT.

### FIRE-FIGHTING MEASURES

ALTHOUGH THE PRODUCT IS INFLAMMABLE, IT IS COMBUSTIBLE. THERE ARE NO RESTRICTIONS ON THE TYPES OF EXTINGUISHERS: POWDER, WATER, FOAM OR CO2. USE SUITABLE PROTECTION TO AVOID BREATHING IN FUMES. DURING DISPOSAL TAKE SPECIAL CARE TO PROTECT THE RESPIRATORY SYSTEM.

### PRODUCT WARRANTY

REFER TO ARTICLE 3 "PRODUCT WARRANTY" PUBLISHED ON SALES CONDITIONS, DOCUMENTS OF SALE, WEBSITE [www.varaschin.it](http://www.varaschin.it)

TECHNICAL INFO SHEET: This product information sheet complies with Italian Legislative Decree No. 206 of 6 September 2005, "Consumer Code".

The information given above refers to the latest data published in the price list. The company reserves the right to alter the models without notice.




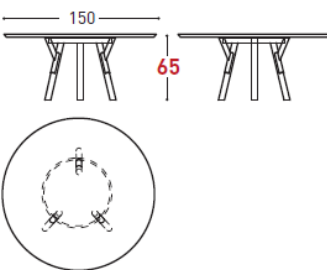


**COMPANY WITH SYSTEM MANAGEMENT QUALITY CERTIFIED UNI EN ISO 9001: 2008**



## LINK

design ALAIN GILLES

Collection of fixed and extending tables with powder coated stainless steel structure; tops and feet available in different materials and finishes.

cod. <b>2225L</b>		FINISHES AVAILABLE		DIMENSIONS		 																
table		METAL structure:	<table border="1"> <tr> <td></td> <td>IN</td> <td>OUT</td> </tr> <tr> <td>WHITE</td> <td>X</td> <td>X</td> </tr> <tr> <td>MOKA</td> <td>X</td> <td>X</td> </tr> <tr> <td>GREY</td> <td>X</td> <td>X</td> </tr> <tr> <td>SILK GREY</td> <td>X</td> <td>X</td> </tr> </table>		IN	OUT	WHITE	X	X	MOKA	X	X	GREY	X	X	SILK GREY	X	X	<p><b>Ø 150 (h 65)</b></p> 	disassembled in 2 pieces		 net kg 50  pack m³ m³ 0,361
			IN	OUT																		
WHITE	X	X																				
MOKA	X	X																				
GREY	X	X																				
SILK GREY	X	X																				
leg:	<table border="1"> <tr> <td></td> <td>X</td> <td>X</td> </tr> <tr> <td>METAL</td> <td>X</td> <td>X</td> </tr> <tr> <td>TEAK</td> <td>X</td> <td>X</td> </tr> </table>		X	X	METAL	X	X	TEAK	X	X												
	X	X																				
METAL	X	X																				
TEAK	X	X																				
		top:	<table border="1"> <tr> <td></td> <td>X</td> <td>X</td> </tr> <tr> <td>HPL</td> <td>X</td> <td>X</td> </tr> </table>		X	X	HPL	X	X													
	X	X																				
HPL	X	X																				



### STRUCTURAL COMPONENTS

COLLECTION OF FIXED AND EXTENDING TABLES WITH POWDER COATED STAINLESS STEEL STRUCTURE; TOPS AND FEET AVAILABLE IN DIFFERENT MATERIALS AND FINISHES.

TOP: HPL.

### INSTRUCTIONS FOR USING THE PRODUCT PROPERLY AND SAFELY

VARASCHIN IS NOT LIABLE FOR DAMAGE CAUSED BY IMPROPER USE. THE SAME APPLIES TO DAMAGE DERIVING FROM USE IN EXTREME WEATHER CONDITIONS OR LACK OF CARE. TIPS FOR EXTENDING LONGEVITY OF COMPONENTS: DURING THE WINTER STORE IN A DRY AND CLOSED PLACE TO AVOID CONDENSATION .

DO NOT STEP ON WITH FEET. DO NOT SWING BACK AND FORTH ON THE LEGS. DO NOT SIT. DO NOT USE AS A LADDER. BUTTONS AND THE ZIPPERS OF CLOTHING MAY CAUSE DAMAGE TO THE MATERIALS. IF NECESSARY, PLEASE CONTACT VARASCHIN SPA.

WOOD COLOUR CHANGES MAY OCCUR AFTER SOME TIME DUE TO EXPOSURE TO SUNLIGHT. THIS PRODUCT "FEARS" HEAT SOURCES AND TOO MUCH HUMIDITY, THEREFORE PAY ATTENTION WHERE YOU PLACE IT.

### GENERAL INSTRUCTIONS FOR MAINTENANCE AND CLEANING

FOR DAILY CLEANING USE A DRY COTTON CLOTH. FOR MORE THOROUGH CLEANING USE ONLY A NEUTRAL PRODUCT DILUTED IN WARM WATER. NEVER USE ALCOHOL, AMMONIUM, THINNERS OR ABRASIVE PRODUCTS. IN MARINE ENVIRONMENTS ARTICLE SHOULD BE WEEKLY WHASED WITH FRESH WATER. WE WOULD ADVISE USING GOLDEN CARE PRODUCTS AS THEY ARE SPECIALLY DESIGNED FOR CLEANING METAL, GLASS AND SYNTHETIC FIBRES.

### GENERAL INFORMATION

N.B.: VARASCHIN SPA GUARANTEES THAT THE PRODUCT IS MADE OF QUALITY MATERIALS, USING THE BEST TECHNOLOGIES IN THE TRADE. THE COMPANY DECLINES ALL AND ANY LIABILITY FOR DAMAGE TO PERSONS AND/OR THINGS DUE TO IMPROPER USE OF THE PRODUCT. IF IN DOUBT PLEASE CONTACT THE MANUFACTURER.

### DISPOSAL

PLEASE DO NOT JUST THROW OUT THE PIECE OF FURNITURE OR ANY PART OF IT. WHEN IT IS NO LONGER WANTED, CALL THE DISPOSAL COMPANY TO HAVE IT TAKEN TO A COLLECTION OR RECOVERY POINT.

### FIRE-FIGHTING MEASURES

ALTHOUGH THE PRODUCT IS INFLAMMABLE, IT IS COMBUSTIBLE. THERE ARE NO RESTRICTIONS ON THE TYPES OF EXTINGUISHERS: POWDER, WATER, FOAM OR CO2. USE SUITABLE PROTECTION TO AVOID BREATHING IN FUMES. DURING DISPOSAL TAKE SPECIAL CARE TO PROTECT THE RESPIRATORY SYSTEM.

### PRODUCT WARRANTY

REFER TO ARTICLE 3 "PRODUCT WARRANTY" PUBLISHED ON SALES CONDITIONS, DOCUMENTS OF SALE, WEBSITE [www.varaschin.it](http://www.varaschin.it)

TECHNICAL INFO SHEET: This product information sheet complies with Italian Legislative Decree No. 206 of 6 September 2005, "Consumer Code".

The information given above refers to the latest data published in the price list. The company reserves the right to alter the models without notice.

**COMPANY WITH SYSTEM MANAGEMENT QUALITY CERTIFIED UNI EN ISO 9001: 2008**



## LINK

design ALAIN GILLES

Collection of fixed and extending tables with powder coated stainless steel structure; tops and feet available in different materials and finishes.

cod. **2226**

FINISHES AVAILABLE

DIMENSIONS



disassembled in 2 pieces

w/hpl top

kg	net
kg	55
m <sup>3</sup>	pack m <sup>3</sup>
	m <sup>3</sup> 0,4

table



METAL structure:

	IN	OUT
WHITE	X	X
MOKA	X	X
GREY	X	X
SILK GREY	X	X

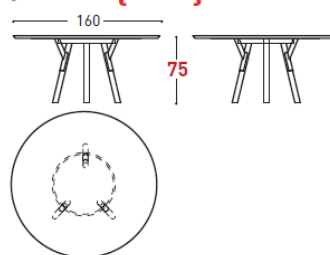
leg:

METAL	X	X
TEAK	X	X

top:

HPL	X	X
-----	---	---

Ø 160 (h 75)



### STRUCTURAL COMPONENTS

COLLECTION OF FIXED AND EXTENDING TABLES WITH POWDER COATED STAINLESS STEEL STRUCTURE; TOPS AND FEET AVAILABLE IN DIFFERENT MATERIALS AND FINISHES.

TOP: HPL.

### INSTRUCTIONS FOR USING THE PRODUCT PROPERLY AND SAFELY

VARASCHIN IS NOT LIABLE FOR DAMAGE CAUSED BY IMPROPER USE. THE SAME APPLIES TO DAMAGE DERIVING FROM USE IN EXTREME WEATHER CONDITIONS OR LACK OF CARE. TIPS FOR EXTENDING LONGEVITY OF COMPONENTS: DURING THE WINTER STORE IN A DRY AND CLOSED PLACE TO AVOID CONDENSATION .

DO NOT STEP ON WITH FEET. DO NOT SWING BACK AND FORTH ON THE LEGS. DO NOT SIT. DO NOT USE AS A LADDER. BUTTONS AND THE ZIPPERS OF CLOTHING MAY CAUSE DAMAGE TO THE MATERIALS. IF NECESSARY, PLEASE CONTACT VARASCHIN SPA.

WOOD COLOUR CHANGES MAY OCCUR AFTER SOME TIME DUE TO EXPOSURE TO SUNLIGHT. THIS PRODUCT "FEARS" HEAT SOURCES AND TOO MUCH HUMIDITY, THEREFORE PAY ATTENTION WHERE YOU PLACE IT.

### GENERAL INSTRUCTIONS FOR MAINTENANCE AND CLEANING

FOR DAILY CLEANING USE A DRY COTTON CLOTH. FOR MORE THOROUGH CLEANING USE ONLY A NEUTRAL PRODUCT DILUTED IN WARM WATER. NEVER USE ALCOHOL, AMMONIUM, THINNERS OR ABRASIVE PRODUCTS. IN MARINE ENVIRONMENTS ARTICLE SHOULD BE WEEKLY WHASED WITH FRESH WATER. WE WOULD ADVISE USING GOLDEN CARE PRODUCTS AS THEY ARE SPECIALLY DESIGNED FOR CLEANING METAL, GLASS AND SYNTHETIC FIBRES.

### GENERAL INFORMATION

N.B.: VARASCHIN SPA GUARANTEES THAT THE PRODUCT IS MADE OF QUALITY MATERIALS, USING THE BEST TECHNOLOGIES IN THE TRADE. THE COMPANY DECLINES ALL AND ANY LIABILITY FOR DAMAGE TO PERSONS AND/OR THINGS DUE TO IMPROPER USE OF THE PRODUCT. IF IN DOUBT PLEASE CONTACT THE MANUFACTURER.

### DISPOSAL

PLEASE DO NOT JUST THROW OUT THE PIECE OF FURNITURE OR ANY PART OF IT. WHEN IT IS NO LONGER WANTED, CALL THE DISPOSAL COMPANY TO HAVE IT TAKEN TO A COLLECTION OR RECOVERY POINT.

### FIRE-FIGHTING MEASURES

ALTHOUGH THE PRODUCT IS INFLAMMABLE, IT IS COMBUSTIBLE. THERE ARE NO RESTRICTIONS ON THE TYPES OF EXTINGUISHERS: POWDER, WATER, FOAM OR CO2. USE SUITABLE PROTECTION TO AVOID BREATHING IN FUMES. DURING DISPOSAL TAKE SPECIAL CARE TO PROTECT THE RESPIRATORY SYSTEM.

### PRODUCT WARRANTY

REFER TO ARTICLE 3 "PRODUCT WARRANTY" PUBLISHED ON SALES CONDITIONS, DOCUMENTS OF SALE, WEBSITE [www.varaschin.it](http://www.varaschin.it)

TECHNICAL INFO SHEET: This product information sheet complies with Italian Legislative Decree No. 206 of 6 September 2005, "Consumer Code".

The information given above refers to the latest data published in the price list. The company reserves the right to alter the models without notice.




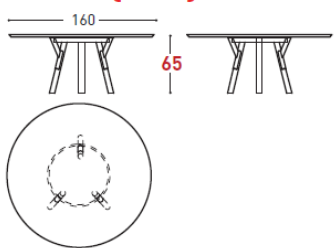



COMPANY WITH SYSTEM MANAGEMENT QUALITY CERTIFIED **UNI EN ISO 9001: 2008**



## LINK

design ALAIN GILLES

Collection of fixed and extending tables with powder coated stainless steel structure; tops and feet available in different materials and finishes.

cod. <b>2226L</b>		FINISHES AVAILABLE		DIMENSIONS		 																
table		METAL structure:	<table border="1"> <tr> <td></td> <td>IN</td> <td>OUT</td> </tr> <tr> <td>WHITE</td> <td>X</td> <td>X</td> </tr> <tr> <td>MOKA</td> <td>X</td> <td>X</td> </tr> <tr> <td>GREY</td> <td>X</td> <td>X</td> </tr> <tr> <td>SILK GREY</td> <td>X</td> <td>X</td> </tr> </table>		IN	OUT	WHITE	X	X	MOKA	X	X	GREY	X	X	SILK GREY	X	X	<p><b>Ø 160 (h 65)</b></p> 	disassembled in 2 pieces		 net kg 55
			IN	OUT																		
WHITE	X	X																				
MOKA	X	X																				
GREY	X	X																				
SILK GREY	X	X																				
leg:	<table border="1"> <tr> <td></td> <td>X</td> <td>X</td> </tr> <tr> <td>METAL</td> <td>X</td> <td>X</td> </tr> <tr> <td>TEAK</td> <td>X</td> <td>X</td> </tr> </table>		X	X	METAL	X	X	TEAK	X	X	w/hpl top		 pack m³ m³ 0,4									
	X	X																				
METAL	X	X																				
TEAK	X	X																				
		top:	<table border="1"> <tr> <td></td> <td>X</td> <td>X</td> </tr> <tr> <td>HPL</td> <td>X</td> <td>X</td> </tr> </table>		X	X	HPL	X	X													
	X	X																				
HPL	X	X																				

### STRUCTURAL COMPONENTS

COLLECTION OF FIXED AND EXTENDING TABLES WITH POWDER COATED STAINLESS STEEL STRUCTURE; TOPS AND FEET AVAILABLE IN DIFFERENT MATERIALS AND FINISHES.

TOP: HPL.

### INSTRUCTIONS FOR USING THE PRODUCT PROPERLY AND SAFELY

VARASCHIN IS NOT LIABLE FOR DAMAGE CAUSED BY IMPROPER USE. THE SAME APPLIES TO DAMAGE DERIVING FROM USE IN EXTREME WEATHER CONDITIONS OR LACK OF CARE. TIPS FOR EXTENDING LONGEVITY OF COMPONENTS: DURING THE WINTER STORE IN A DRY AND CLOSED PLACE TO AVOID CONDENSATION .

DO NOT STEP ON WITH FEET. DO NOT SWING BACK AND FORTH ON THE LEGS. DO NOT SIT. DO NOT USE AS A LADDER. BUTTONS AND THE ZIPPERS OF CLOTHING MAY CAUSE DAMAGE TO THE MATERIALS. IF NECESSARY, PLEASE CONTACT VARASCHIN SPA.

WOOD COLOUR CHANGES MAY OCCUR AFTER SOME TIME DUE TO EXPOSURE TO SUNLIGHT. THIS PRODUCT "FEARS" HEAT SOURCES AND TOO MUCH HUMIDITY, THEREFORE PAY ATTENTION WHERE YOU PLACE IT.

### GENERAL INSTRUCTIONS FOR MAINTENANCE AND CLEANING

FOR DAILY CLEANING USE A DRY COTTON CLOTH. FOR MORE THOROUGH CLEANING USE ONLY A NEUTRAL PRODUCT DILUTED IN WARM WATER. NEVER USE ALCOHOL, AMMONIUM, THINNERS OR ABRASIVE PRODUCTS. IN MARINE ENVIRONMENTS ARTICLE SHOULD BE WEEKLY WHASED WITH FRESH WATER. WE WOULD ADVISE USING GOLDEN CARE PRODUCTS AS THEY ARE SPECIALLY DESIGNED FOR CLEANING METAL, GLASS AND SYNTHETIC FIBRES.

### GENERAL INFORMATION

N.B.: VARASCHIN SPA GUARANTEES THAT THE PRODUCT IS MADE OF QUALITY MATERIALS, USING THE BEST TECHNOLOGIES IN THE TRADE. THE COMPANY DECLINES ALL AND ANY LIABILITY FOR DAMAGE TO PERSONS AND/OR THINGS DUE TO IMPROPER USE OF THE PRODUCT. IF IN DOUBT PLEASE CONTACT THE MANUFACTURER.

### DISPOSAL

PLEASE DO NOT JUST THROW OUT THE PIECE OF FURNITURE OR ANY PART OF IT. WHEN IT IS NO LONGER WANTED, CALL THE DISPOSAL COMPANY TO HAVE IT TAKEN TO A COLLECTION OR RECOVERY POINT.

### FIRE-FIGHTING MEASURES

ALTHOUGH THE PRODUCT IS INFLAMMABLE, IT IS COMBUSTIBLE. THERE ARE NO RESTRICTIONS ON THE TYPES OF EXTINGUISHERS: POWDER, WATER, FOAM OR CO2. USE SUITABLE PROTECTION TO AVOID BREATHING IN FUMES. DURING DISPOSAL TAKE SPECIAL CARE TO PROTECT THE RESPIRATORY SYSTEM.

### PRODUCT WARRANTY

REFER TO ARTICLE 3 "PRODUCT WARRANTY" PUBLISHED ON SALES CONDITIONS, DOCUMENTS OF SALE, WEBSITE [www.varaschin.it](http://www.varaschin.it)

TECHNICAL INFO SHEET: This product information sheet complies with Italian Legislative Decree No. 206 of 6 September 2005, "Consumer Code".

The information given above refers to the latest data published in the price list. The company reserves the right to alter the models without notice.

**COMPANY WITH SYSTEM MANAGEMENT QUALITY CERTIFIED UNI EN ISO 9001: 2008**






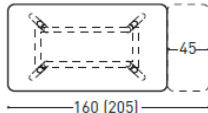








## LINK

design ALAIN GILLES

Collection of fixed and extending tables with powder coated stainless steel structure; tops and feet available in different materials and finishes.

cod. <b>22201</b>		FINISHES AVAILABLE		DIMENSIONS		 															
<b>table</b>   cover: <b>9460</b> 	<b>METAL structure:</b> <table border="1"> <tr> <td></td> <td>IN</td> <td>OUT</td> </tr> <tr> <td>WHITE</td> <td>X</td> <td>X</td> </tr> <tr> <td>MOKA</td> <td>X</td> <td>X</td> </tr> <tr> <td>GREY</td> <td>X</td> <td>X</td> </tr> <tr> <td>SILK GREY</td> <td>X</td> <td>X</td> </tr> </table>			IN	OUT	WHITE	X	X	MOKA	X	X	GREY	X	X	SILK GREY	X	X	<b>160x90 (h 75)</b>  		disassembled in 3 pieces  net kg 53,5  pack m³ m³ 0,306	
		IN	OUT																		
	WHITE	X	X																		
	MOKA	X	X																		
GREY	X	X																			
SILK GREY	X	X																			
<b>leg:</b> <table border="1"> <tr> <td></td> <td>X</td> <td>X</td> </tr> <tr> <td>METAL</td> <td>X</td> <td>X</td> </tr> <tr> <td>TEAK</td> <td>X</td> <td>X</td> </tr> </table>			X	X	METAL	X	X	TEAK	X	X	<b>160x90</b> <b>1 EXT</b>		w/hpl top  net kg 54,5  pack m³ m³ 0,306								
	X	X																			
METAL	X	X																			
TEAK	X	X																			
<b>top:</b> <table border="1"> <tr> <td></td> <td>X</td> <td>X</td> </tr> <tr> <td>HPL</td> <td>X</td> <td>X</td> </tr> <tr> <td>TEAK</td> <td>X</td> <td>X</td> </tr> </table>			X	X	HPL	X	X	TEAK	X	X											
	X	X																			
HPL	X	X																			
TEAK	X	X																			

### STRUCTURAL COMPONENTS

COLLECTION OF FIXED AND EXTENDING TABLES WITH POWDER COATED STAINLESS STEEL STRUCTURE; TOPS AND FEET AVAILABLE IN DIFFERENT MATERIALS AND FINISHES.  
TOP: HPL, TEAK.

### INSTRUCTIONS FOR USING THE PRODUCT PROPERLY AND SAFELY

VARASCHIN IS NOT LIABLE FOR DAMAGE CAUSED BY IMPROPER USE. THE SAME APPLIES TO DAMAGE DERIVING FROM USE IN EXTREME WEATHER CONDITIONS OR LACK OF CARE. TIPS FOR EXTENDING LONGEVITY OF COMPONENTS: DURING THE WINTER STORE IN A DRY AND CLOSED PLACE TO AVOID CONDENSATION .

DO NOT STEP ON WITH FEET. DO NOT SWING BACK AND FORTH ON THE LEGS. DO NOT SIT. DO NOT USE AS A LADDER. BUTTONS AND THE ZIPPERS OF CLOTHING MAY CAUSE DAMAGE TO THE MATERIALS. IF NECESSARY, PLEASE CONTACT VARASCHIN SPA.

WOOD COLOUR CHANGES MAY OCCUR AFTER SOME TIME DUE TO EXPOSURE TO SUNLIGHT. THIS PRODUCT "FEARS" HEAT SOURCES AND TOO MUCH HUMIDITY, THEREFORE PAY ATTENTION WHERE YOU PLACE IT.

### GENERAL INSTRUCTIONS FOR MAINTENANCE AND CLEANING

FOR DAILY CLEANING USE A DRY COTTON CLOTH. FOR MORE THOROUGH CLEANING USE ONLY A NEUTRAL PRODUCT DILUTED IN WARM WATER. NEVER USE ALCOHOL, AMMONIUM, THINNERS OR ABRASIVE PRODUCTS. IN MARINE ENVIRONMENTS ARTICLE SHOULD BE WEEKLY WHASED WITH FRESH WATER. WE WOULD ADVISE USING GOLDEN CARE PRODUCTS AS THEY ARE SPECIALLY DESIGNED FOR CLEANING METAL, GLASS AND SYNTHETIC FIBRES.

### GENERAL INFORMATION

N.B.: VARASCHIN SPA GUARANTEES THAT THE PRODUCT IS MADE OF QUALITY MATERIALS, USING THE BEST TECHNOLOGIES IN THE TRADE. THE COMPANY DECLINES ALL AND ANY LIABILITY FOR DAMAGE TO PERSONS AND/OR THINGS DUE TO IMPROPER USE OF THE PRODUCT. IF IN DOUBT PLEASE CONTACT THE MANUFACTURER.

### DISPOSAL

PLEASE DO NOT JUST THROW OUT THE PIECE OF FURNITURE OR ANY PART OF IT. WHEN IT IS NO LONGER WANTED, CALL THE DISPOSAL COMPANY TO HAVE IT TAKEN TO A COLLECTION OR RECOVERY POINT.

### FIRE-FIGHTING MEASURES

ALTHOUGH THE PRODUCT IS INFLAMMABLE, IT IS COMBUSTIBLE. THERE ARE NO RESTRICTIONS ON THE TYPES OF EXTINGUISHERS: POWDER, WATER, FOAM OR CO2. USE SUITABLE PROTECTION TO AVOID BREATHING IN FUMES. DURING DISPOSAL TAKE SPECIAL CARE TO PROTECT THE RESPIRATORY SYSTEM.

### PRODUCT WARRANTY

REFER TO ARTICLE 3 "PRODUCT WARRANTY" PUBLISHED ON SALES CONDITIONS, DOCUMENTS OF SALE, WEBSITE [www.varaschin.it](http://www.varaschin.it)

TECHNICAL INFO SHEET: This product information sheet complies with Italian Legislative Decree No. 206 of 6 September 2005, "Consumer Code".

The information given above refers to the latest data published in the price list. The company reserves the right to alter the models without notice.





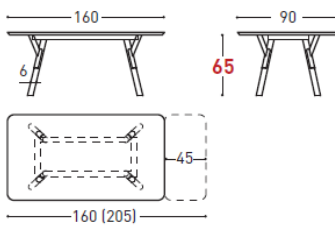
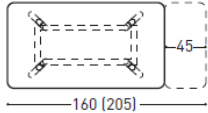
**COMPANY WITH SYSTEM MANAGEMENT QUALITY CERTIFIED UNI EN ISO 9001: 2008**



## LINK

design ALAIN GILLES

Collection of fixed and extending tables with powder coated stainless steel structure; tops and feet available in different materials and finishes.

cod. <b>22201L</b>		FINISHES AVAILABLE		DIMENSIONS		 																													
<b>table</b>   cover: <b>9460</b> 	<b>METAL structure:</b> <table border="1"> <tr> <td></td> <td>IN</td> <td>OUT</td> </tr> <tr> <td>WHITE</td> <td>X</td> <td>X</td> </tr> <tr> <td>MOKA</td> <td>X</td> <td>X</td> </tr> <tr> <td>GREY</td> <td>X</td> <td>X</td> </tr> <tr> <td>SILK GREY</td> <td>X</td> <td>X</td> </tr> </table>			IN	OUT	WHITE	X	X	MOKA	X	X	GREY	X	X	SILK GREY	X	X	<b>160x90 (h 65)</b>  		disassembled in 3 pieces		<table border="1"> <tr> <td>w/hpl top</td> <td>kg</td> <td>net</td> </tr> <tr> <td></td> <td></td> <td>kg 53,5</td> </tr> <tr> <td></td> <td>m<sup>3</sup></td> <td>pack m<sup>3</sup></td> </tr> <tr> <td></td> <td></td> <td>m<sup>3</sup> 0,306</td> </tr> </table>		w/hpl top	kg	net			kg 53,5		m <sup>3</sup>	pack m <sup>3</sup>			m <sup>3</sup> 0,306
		IN	OUT																																
	WHITE	X	X																																
	MOKA	X	X																																
GREY	X	X																																	
SILK GREY	X	X																																	
w/hpl top	kg	net																																	
		kg 53,5																																	
	m <sup>3</sup>	pack m <sup>3</sup>																																	
		m <sup>3</sup> 0,306																																	
<b>leg:</b> <table border="1"> <tr> <td></td> <td>X</td> <td>X</td> </tr> <tr> <td>METAL</td> <td>X</td> <td>X</td> </tr> <tr> <td>TEAK</td> <td>X</td> <td>X</td> </tr> </table>			X	X	METAL	X	X	TEAK	X	X	<b>160x90</b> <b>1 EXT</b>		<table border="1"> <tr> <td>w/teak top</td> <td>kg</td> <td>net</td> </tr> <tr> <td></td> <td></td> <td>kg 54,5</td> </tr> <tr> <td></td> <td>m<sup>3</sup></td> <td>pack m<sup>3</sup></td> </tr> <tr> <td></td> <td></td> <td>m<sup>3</sup> 0,306</td> </tr> </table>		w/teak top	kg	net			kg 54,5		m <sup>3</sup>	pack m <sup>3</sup>			m <sup>3</sup> 0,306									
	X	X																																	
METAL	X	X																																	
TEAK	X	X																																	
w/teak top	kg	net																																	
		kg 54,5																																	
	m <sup>3</sup>	pack m <sup>3</sup>																																	
		m <sup>3</sup> 0,306																																	
<b>top:</b> <table border="1"> <tr> <td></td> <td>X</td> <td>X</td> </tr> <tr> <td>HPL</td> <td>X</td> <td>X</td> </tr> <tr> <td>TEAK</td> <td>X</td> <td>X</td> </tr> </table>			X	X	HPL	X	X	TEAK	X	X																									
	X	X																																	
HPL	X	X																																	
TEAK	X	X																																	

### STRUCTURAL COMPONENTS

COLLECTION OF FIXED AND EXTENDING TABLES WITH POWDER COATED STAINLESS STEEL STRUCTURE; TOPS AND FEET AVAILABLE IN DIFFERENT MATERIALS AND FINISHES.  
TOP: HPL, TEAK.

### INSTRUCTIONS FOR USING THE PRODUCT PROPERLY AND SAFELY

VARASCHIN IS NOT LIABLE FOR DAMAGE CAUSED BY IMPROPER USE. THE SAME APPLIES TO DAMAGE DERIVING FROM USE IN EXTREME WEATHER CONDITIONS OR LACK OF CARE. TIPS FOR EXTENDING LONGEVITY OF COMPONENTS: DURING THE WINTER STORE IN A DRY AND CLOSED PLACE TO AVOID CONDENSATION .

DO NOT STEP ON WITH FEET. DO NOT SWING BACK AND FORTH ON THE LEGS. DO NOT SIT. DO NOT USE AS A LADDER. BUTTONS AND THE ZIPPERS OF CLOTHING MAY CAUSE DAMAGE TO THE MATERIALS. IF NECESSARY, PLEASE CONTACT VARASCHIN SPA.

WOOD COLOUR CHANGES MAY OCCUR AFTER SOME TIME DUE TO EXPOSURE TO SUNLIGHT. THIS PRODUCT "FEARS" HEAT SOURCES AND TOO MUCH HUMIDITY, THEREFORE PAY ATTENTION WHERE YOU PLACE IT.

### GENERAL INSTRUCTIONS FOR MAINTENANCE AND CLEANING

FOR DAILY CLEANING USE A DRY COTTON CLOTH. FOR MORE THOROUGH CLEANING USE ONLY A NEUTRAL PRODUCT DILUTED IN WARM WATER. NEVER USE ALCOHOL, AMMONIUM, THINNERS OR ABRASIVE PRODUCTS. IN MARINE ENVIRONMENTS ARTICLE SHOULD BE WEEKLY WHASED WITH FRESH WATER. WE WOULD ADVISE USING GOLDEN CARE PRODUCTS AS THEY ARE SPECIALLY DESIGNED FOR CLEANING METAL, GLASS AND SYNTHETIC FIBRES.

### GENERAL INFORMATION

N.B.: VARASCHIN SPA GUARANTEES THAT THE PRODUCT IS MADE OF QUALITY MATERIALS, USING THE BEST TECHNOLOGIES IN THE TRADE. THE COMPANY DECLINES ALL AND ANY LIABILITY FOR DAMAGE TO PERSONS AND/OR THINGS DUE TO IMPROPER USE OF THE PRODUCT. IF IN DOUBT PLEASE CONTACT THE MANUFACTURER.

### DISPOSAL

PLEASE DO NOT JUST THROW OUT THE PIECE OF FURNITURE OR ANY PART OF IT. WHEN IT IS NO LONGER WANTED, CALL THE DISPOSAL COMPANY TO HAVE IT TAKEN TO A COLLECTION OR RECOVERY POINT.

### FIRE-FIGHTING MEASURES

ALTHOUGH THE PRODUCT IS INFLAMMABLE, IT IS COMBUSTIBLE. THERE ARE NO RESTRICTIONS ON THE TYPES OF EXTINGUISHERS: POWDER, WATER, FOAM OR CO2. USE SUITABLE PROTECTION TO AVOID BREATHING IN FUMES. DURING DISPOSAL TAKE SPECIAL CARE TO PROTECT THE RESPIRATORY SYSTEM.

### PRODUCT WARRANTY

REFER TO ARTICLE 3 "PRODUCT WARRANTY" PUBLISHED ON SALES CONDITIONS, DOCUMENTS OF SALE, WEBSITE [www.varaschin.it](http://www.varaschin.it)

TECHNICAL INFO SHEET: This product information sheet complies with Italian Legislative Decree No. 206 of 6 September 2005, "Consumer Code".

The information given above refers to the latest data published in the price list. The company reserves the right to alter the models without notice.






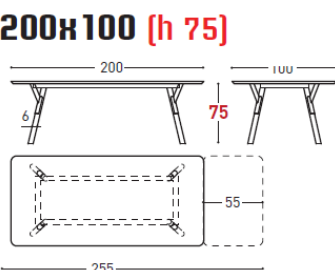




**COMPANY WITH SYSTEM MANAGEMENT QUALITY CERTIFIED UNI EN ISO 9001: 2008**



## LINK

design ALAIN GILLES

Collection of fixed and extending tables with powder coated stainless steel structure; tops and feet available in different materials and finishes.

cod. <b>22211</b>		FINISHES AVAILABLE		DIMENSIONS		 										
<b>table</b>   cover: <b>9435</b> 	<b>METAL structure:</b> WHITE MOKA GREY SILK GREY	<table border="1"> <tr> <th>IN</th> <th>OUT</th> </tr> <tr> <td>X</td> <td>X</td> </tr> <tr> <td>X</td> <td>X</td> </tr> <tr> <td>X</td> <td>X</td> </tr> <tr> <td>X</td> <td>X</td> </tr> </table>	IN	OUT	X	X	X	X	X	X	X	X		<b>200x100 (h 75)</b> <b>200x100</b> <b>1 EXT</b>		disassembled in 3 pieces  net kg 73,4  pack m³ m³ 0,367
	IN	OUT														
	X	X														
	X	X														
X	X															
X	X															
<b>leg:</b> METAL TEAK	<table border="1"> <tr> <td>X</td> <td>X</td> </tr> <tr> <td>X</td> <td>X</td> </tr> </table>	X	X	X	X			w/hpl top  net kg 75,4  pack m³ m³ 0,367								
X	X															
X	X															
<b>top:</b> HPL TEAK	<table border="1"> <tr> <td>X</td> <td>X</td> </tr> <tr> <td>X</td> <td>X</td> </tr> </table>	X	X	X	X											
X	X															
X	X															

### STRUCTURAL COMPONENTS

COLLECTION OF FIXED AND EXTENDING TABLES WITH POWDER COATED STAINLESS STEEL STRUCTURE; TOPS AND FEET AVAILABLE IN DIFFERENT MATERIALS AND FINISHES.  
TOP: HPL, TEAK.

### INSTRUCTIONS FOR USING THE PRODUCT PROPERLY AND SAFELY

VARASCHIN IS NOT LIABLE FOR DAMAGE CAUSED BY IMPROPER USE. THE SAME APPLIES TO DAMAGE DERIVING FROM USE IN EXTREME WEATHER CONDITIONS OR LACK OF CARE. TIPS FOR EXTENDING LONGEVITY OF COMPONENTS: DURING THE WINTER STORE IN A DRY AND CLOSED PLACE TO AVOID CONDENSATION .

DO NOT STEP ON WITH FEET. DO NOT SWING BACK AND FORTH ON THE LEGS. DO NOT SIT. DO NOT USE AS A LADDER. BUTTONS AND THE ZIPPERS OF CLOTHING MAY CAUSE DAMAGE TO THE MATERIALS. IF NECESSARY, PLEASE CONTACT VARASCHIN SPA.

WOOD COLOUR CHANGES MAY OCCUR AFTER SOME TIME DUE TO EXPOSURE TO SUNLIGHT. THIS PRODUCT "FEARS" HEAT SOURCES AND TOO MUCH HUMIDITY, THEREFORE PAY ATTENTION WHERE YOU PLACE IT.

### GENERAL INSTRUCTIONS FOR MAINTENANCE AND CLEANING

FOR DAILY CLEANING USE A DRY COTTON CLOTH. FOR MORE THOROUGH CLEANING USE ONLY A NEUTRAL PRODUCT DILUTED IN WARM WATER. NEVER USE ALCOHOL, AMMONIUM, THINNERS OR ABRASIVE PRODUCTS. IN MARINE ENVIRONMENTS ARTICLE SHOULD BE WEEKLY WHASED WITH FRESH WATER. WE WOULD ADVISE USING GOLDEN CARE PRODUCTS AS THEY ARE SPECIALLY DESIGNED FOR CLEANING METAL, GLASS AND SYNTHETIC FIBRES.

### GENERAL INFORMATION

N.B.: VARASCHIN SPA GUARANTEES THAT THE PRODUCT IS MADE OF QUALITY MATERIALS, USING THE BEST TECHNOLOGIES IN THE TRADE. THE COMPANY DECLINES ALL AND ANY LIABILITY FOR DAMAGE TO PERSONS AND/OR THINGS DUE TO IMPROPER USE OF THE PRODUCT. IF IN DOUBT PLEASE CONTACT THE MANUFACTURER.

### DISPOSAL

PLEASE DO NOT JUST THROW OUT THE PIECE OF FURNITURE OR ANY PART OF IT. WHEN IT IS NO LONGER WANTED, CALL THE DISPOSAL COMPANY TO HAVE IT TAKEN TO A COLLECTION OR RECOVERY POINT.

### FIRE-FIGHTING MEASURES

ALTHOUGH THE PRODUCT IS INFLAMMABLE, IT IS COMBUSTIBLE. THERE ARE NO RESTRICTIONS ON THE TYPES OF EXTINGUISHERS: POWDER, WATER, FOAM OR CO2. USE SUITABLE PROTECTION TO AVOID BREATHING IN FUMES. DURING DISPOSAL TAKE SPECIAL CARE TO PROTECT THE RESPIRATORY SYSTEM.

### PRODUCT WARRANTY

REFER TO ARTICLE 3 "PRODUCT WARRANTY" PUBLISHED ON SALES CONDITIONS, DOCUMENTS OF SALE, WEBSITE [www.varaschin.it](http://www.varaschin.it)

TECHNICAL INFO SHEET: This product information sheet complies with Italian Legislative Decree No. 206 of 6 September 2005, "Consumer Code".

The information given above refers to the latest data published in the price list. The company reserves the right to alter the models without notice.





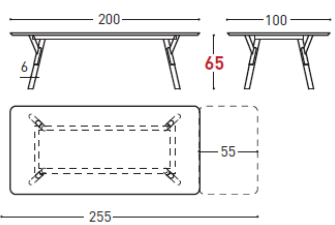



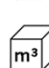
**COMPANY WITH SYSTEM MANAGEMENT QUALITY CERTIFIED UNI EN ISO 9001: 2008**



## LINK

design ALAIN GILLES

Collection of fixed and extending tables with powder coated stainless steel structure; tops and feet available in different materials and finishes.

cod. <b>22211L</b>		FINISHES AVAILABLE		DIMENSIONS													
<b>table</b>   cover: <b>9435</b> 	<b>METAL structure:</b>		<table border="1"> <tr><th>IN</th><th>OUT</th></tr> <tr><td>X</td><td>X</td></tr> <tr><td>X</td><td>X</td></tr> <tr><td>X</td><td>X</td></tr> <tr><td>X</td><td>X</td></tr> </table>	IN	OUT	X	X	X	X	X	X	X	X	<b>200x100 (h 65)</b> W 39 3/8" - H 25 1/2" - 		disassembled in 3 pieces	
	IN	OUT															
	X	X															
	X	X															
X	X																
X	X																
<b>leg:</b>		<table border="1"> <tr><td>X</td><td>X</td></tr> <tr><td>X</td><td>X</td></tr> </table>	X	X	X	X	<b>200x100</b> <b>1 EXT</b>		w/hpl top  net kg 73,4  pack m³ m³ 0,367								
X	X																
X	X																
<b>top:</b>		<table border="1"> <tr><td>X</td><td>X</td></tr> <tr><td>X</td><td>X</td></tr> </table>	X	X	X	X			w/teak top  net kg 75,4  pack m³ m³ 0,367								
X	X																
X	X																

### STRUCTURAL COMPONENTS

COLLECTION OF FIXED AND EXTENDING TABLES WITH POWDER COATED STAINLESS STEEL STRUCTURE; TOPS AND FEET AVAILABLE IN DIFFERENT MATERIALS AND FINISHES.  
TOP: HPL, TEAK.

### INSTRUCTIONS FOR USING THE PRODUCT PROPERLY AND SAFELY

VARASCHIN IS NOT LIABLE FOR DAMAGE CAUSED BY IMPROPER USE. THE SAME APPLIES TO DAMAGE DERIVING FROM USE IN EXTREME WEATHER CONDITIONS OR LACK OF CARE. TIPS FOR EXTENDING LONGEVITY OF COMPONENTS: DURING THE WINTER STORE IN A DRY AND CLOSED PLACE TO AVOID CONDENSATION .

DO NOT STEP ON WITH FEET. DO NOT SWING BACK AND FORTH ON THE LEGS. DO NOT SIT. DO NOT USE AS A LADDER. BUTTONS AND THE ZIPPERS OF CLOTHING MAY CAUSE DAMAGE TO THE MATERIALS. IF NECESSARY, PLEASE CONTACT VARASCHIN SPA.

WOOD COLOUR CHANGES MAY OCCUR AFTER SOME TIME DUE TO EXPOSURE TO SUNLIGHT. THIS PRODUCT "FEARS" HEAT SOURCES AND TOO MUCH HUMIDITY, THEREFORE PAY ATTENTION WHERE YOU PLACE IT.

### GENERAL INSTRUCTIONS FOR MAINTENANCE AND CLEANING

FOR DAILY CLEANING USE A DRY COTTON CLOTH. FOR MORE THOROUGH CLEANING USE ONLY A NEUTRAL PRODUCT DILUTED IN WARM WATER. NEVER USE ALCOHOL, AMMONIUM, THINNERS OR ABRASIVE PRODUCTS. IN MARINE ENVIRONMENTS ARTICLE SHOULD BE WEEKLY WHASD WITH FRESH WATER. WE WOULD ADVISE USING GOLDEN CARE PRODUCTS AS THEY ARE SPECIALLY DESIGNED FOR CLEANING METAL, GLASS AND SYNTHETIC FIBRES.

### GENERAL INFORMATION

N.B.: VARASCHIN SPA GUARANTEES THAT THE PRODUCT IS MADE OF QUALITY MATERIALS, USING THE BEST TECHNOLOGIES IN THE TRADE. THE COMPANY DECLINES ALL AND ANY LIABILITY FOR DAMAGE TO PERSONS AND/OR THINGS DUE TO IMPROPER USE OF THE PRODUCT. IF IN DOUBT PLEASE CONTACT THE MANUFACTURER.

### DISPOSAL

PLEASE DO NOT JUST THROW OUT THE PIECE OF FURNITURE OR ANY PART OF IT. WHEN IT IS NO LONGER WANTED, CALL THE DISPOSAL COMPANY TO HAVE IT TAKEN TO A COLLECTION OR RECOVERY POINT.

### FIRE-FIGHTING MEASURES

ALTHOUGH THE PRODUCT IS INFLAMMABLE, IT IS COMBUSTIBLE. THERE ARE NO RESTRICTIONS ON THE TYPES OF EXTINGUISHERS: POWDER, WATER, FOAM OR CO2. USE SUITABLE PROTECTION TO AVOID BREATHING IN FUMES. DURING DISPOSAL TAKE SPECIAL CARE TO PROTECT THE RESPIRATORY SYSTEM.

### PRODUCT WARRANTY

REFER TO ARTICLE 3 "PRODUCT WARRANTY" PUBLISHED ON SALES CONDITIONS, DOCUMENTS OF SALE, WEBSITE [www.varaschin.it](http://www.varaschin.it)

TECHNICAL INFO SHEET: This product information sheet complies with Italian Legislative Decree No. 206 of 6 September 2005, "Consumer Code".

The information given above refers to the latest data published in the price list. The company reserves the right to alter the models without notice.

**COMPANY WITH SYSTEM MANAGEMENT QUALITY CERTIFIED UNI EN ISO 9001: 2008**





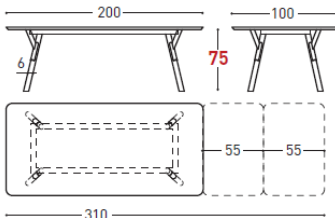










## LINK

design ALAIN GILLES

Collection of fixed and extending tables with powder coated stainless steel structure; tops and feet available in different materials and finishes.

cod. <b>22212</b>		FINISHES AVAILABLE		DIMENSIONS		 																	
<b>table</b>  	<b>METAL structure:</b> WHITE MOKA GREY SILK GREY	<table border="1"> <thead> <tr> <th>IN</th> <th>OUT</th> </tr> </thead> <tbody> <tr> <td>X</td> <td>X</td> </tr> <tr> <td>X</td> <td>X</td> </tr> <tr> <td>X</td> <td>X</td> </tr> <tr> <td>X</td> <td>X</td> </tr> </tbody> </table>	IN	OUT	X	X	X	X	X	X	X	X	<table border="1"> <thead> <tr> <th>IN</th> <th>OUT</th> </tr> </thead> <tbody> <tr> <td>X</td> <td>X</td> </tr> <tr> <td>X</td> <td>X</td> </tr> </tbody> </table>	IN	OUT	X	X	X	X	<b>200x100 (h 75)</b> 	 disassembled in 4 pieces	 net kg 82,8	 pack m³ m³ 0,396
	IN	OUT																					
X	X																						
X	X																						
X	X																						
X	X																						
IN	OUT																						
X	X																						
X	X																						
cover: <b>9435</b> 	<b>leg:</b> METAL TEAK	<table border="1"> <tbody> <tr> <td>X</td> <td>X</td> </tr> <tr> <td>X</td> <td>X</td> </tr> </tbody> </table>	X	X	X	X	<table border="1"> <tbody> <tr> <td>X</td> <td>X</td> </tr> <tr> <td>X</td> <td>X</td> </tr> </tbody> </table>	X	X	X	X	<b>200x100</b> <b>2 EXT</b>	w/hpl top  net kg 82,8	 pack m³ m³ 0,396									
X	X																						
X	X																						
X	X																						
X	X																						

### STRUCTURAL COMPONENTS

COLLECTION OF FIXED AND EXTENDING TABLES WITH POWDER COATED STAINLESS STEEL STRUCTURE; TOPS AND FEET AVAILABLE IN DIFFERENT MATERIALS AND FINISHES.

TOP: HPL.

### INSTRUCTIONS FOR USING THE PRODUCT PROPERLY AND SAFELY

VARASCHIN IS NOT LIABLE FOR DAMAGE CAUSED BY IMPROPER USE. THE SAME APPLIES TO DAMAGE DERIVING FROM USE IN EXTREME WEATHER CONDITIONS OR LACK OF CARE. TIPS FOR EXTENDING LONGEVITY OF COMPONENTS: DURING THE WINTER STORE IN A DRY AND CLOSED PLACE TO AVOID CONDENSATION .

DO NOT STEP ON WITH FEET. DO NOT SWING BACK AND FORTH ON THE LEGS. DO NOT SIT. DO NOT USE AS A LADDER. BUTTONS AND THE ZIPPERS OF CLOTHING MAY CAUSE DAMAGE TO THE MATERIALS. IF NECESSARY, PLEASE CONTACT VARASCHIN SPA.

WOOD COLOUR CHANGES MAY OCCUR AFTER SOME TIME DUE TO EXPOSURE TO SUNLIGHT. THIS PRODUCT "FEARS" HEAT SOURCES AND TOO MUCH HUMIDITY, THEREFORE PAY ATTENTION WHERE YOU PLACE IT.

### GENERAL INSTRUCTIONS FOR MAINTENANCE AND CLEANING

FOR DAILY CLEANING USE A DRY COTTON CLOTH. FOR MORE THOROUGH CLEANING USE ONLY A NEUTRAL PRODUCT DILUTED IN WARM WATER. NEVER USE ALCOHOL, AMMONIUM, THINNERS OR ABRASIVE PRODUCTS. IN MARINE ENVIRONMENTS ARTICLE SHOULD BE WEEKLY WHASED WITH FRESH WATER. WE WOULD ADVISE USING GOLDEN CARE PRODUCTS AS THEY ARE SPECIALLY DESIGNED FOR CLEANING METAL, GLASS AND SYNTHETIC FIBRES.

### GENERAL INFORMATION

N.B.: VARASCHIN SPA GUARANTEES THAT THE PRODUCT IS MADE OF QUALITY MATERIALS, USING THE BEST TECHNOLOGIES IN THE TRADE. THE COMPANY DECLINES ALL AND ANY LIABILITY FOR DAMAGE TO PERSONS AND/OR THINGS DUE TO IMPROPER USE OF THE PRODUCT. IF IN DOUBT PLEASE CONTACT THE MANUFACTURER.

### DISPOSAL

PLEASE DO NOT JUST THROW OUT THE PIECE OF FURNITURE OR ANY PART OF IT. WHEN IT IS NO LONGER WANTED, CALL THE DISPOSAL COMPANY TO HAVE IT TAKEN TO A COLLECTION OR RECOVERY POINT.

### FIRE-FIGHTING MEASURES

ALTHOUGH THE PRODUCT IS INFLAMMABLE, IT IS COMBUSTIBLE. THERE ARE NO RESTRICTIONS ON THE TYPES OF EXTINGUISHERS: POWDER, WATER, FOAM OR CO2. USE SUITABLE PROTECTION TO AVOID BREATHING IN FUMES. DURING DISPOSAL TAKE SPECIAL CARE TO PROTECT THE RESPIRATORY SYSTEM.

### PRODUCT WARRANTY

REFER TO ARTICLE 3 "PRODUCT WARRANTY" PUBLISHED ON SALES CONDITIONS, DOCUMENTS OF SALE, WEBSITE [www.varaschin.it](http://www.varaschin.it)

TECHNICAL INFO SHEET: This product information sheet complies with Italian Legislative Decree No. 206 of 6 September 2005, "Consumer Code".

The information given above refers to the latest data published in the price list. The company reserves the right to alter the models without notice.





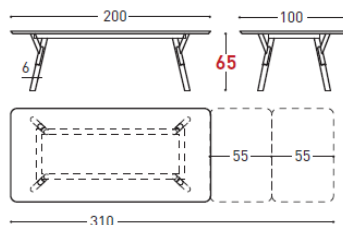



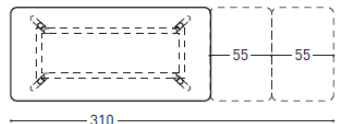
**COMPANY WITH SYSTEM MANAGEMENT QUALITY CERTIFIED UNI EN ISO 9001: 2008**



## LINK

design ALAIN GILLES

Collection of fixed and extending tables with powder coated stainless steel structure; tops and feet available in different materials and finishes.

cod. <b>22212L</b>		FINISHES AVAILABLE		DIMENSIONS		 										
<b>table</b>  	<b>METAL structure:</b> WHITE MOKA GREY SILK GREY	<table border="1"> <tr> <th>IN</th> <th>OUT</th> </tr> <tr> <td>X</td> <td>X</td> </tr> <tr> <td>X</td> <td>X</td> </tr> <tr> <td>X</td> <td>X</td> </tr> <tr> <td>X</td> <td>X</td> </tr> </table>	IN	OUT	X	X	X	X	X	X	X	X	<b>200x100 (h 65)</b> 		disassembled in 4 pieces  <b>net</b> kg 82,8  <b>pack m³</b> m³ 0,396	
	IN	OUT														
X	X															
X	X															
X	X															
X	X															
cover: <b>9435</b> 	<b>leg:</b> METAL TEAK	<table border="1"> <tr> <td>X</td> <td>X</td> </tr> <tr> <td>X</td> <td>X</td> </tr> </table>	X	X	X	X										
X	X															
X	X															
	<b>top:</b> HPL TEAK	<table border="1"> <tr> <td>X</td> <td>X</td> </tr> <tr> <td>X</td> <td>X</td> </tr> </table>	X	X	X	X	<b>200x100</b> <b>2 EXT</b>									
X	X															
X	X															

### STRUCTURAL COMPONENTS

COLLECTION OF FIXED AND EXTENDING TABLES WITH POWDER COATED STAINLESS STEEL STRUCTURE; TOPS AND FEET AVAILABLE IN DIFFERENT MATERIALS AND FINISHES.

TOP: HPL.

### INSTRUCTIONS FOR USING THE PRODUCT PROPERLY AND SAFELY

VARASCHIN IS NOT LIABLE FOR DAMAGE CAUSED BY IMPROPER USE. THE SAME APPLIES TO DAMAGE DERIVING FROM USE IN EXTREME WEATHER CONDITIONS OR LACK OF CARE. TIPS FOR EXTENDING LONGEVITY OF COMPONENTS: DURING THE WINTER STORE IN A DRY AND CLOSED PLACE TO AVOID CONDENSATION .

DO NOT STEP ON WITH FEET. DO NOT SWING BACK AND FORTH ON THE LEGS. DO NOT SIT. DO NOT USE AS A LADDER. BUTTONS AND THE ZIPPERS OF CLOTHING MAY CAUSE DAMAGE TO THE MATERIALS. IF NECESSARY, PLEASE CONTACT VARASCHIN SPA.

WOOD COLOUR CHANGES MAY OCCUR AFTER SOME TIME DUE TO EXPOSURE TO SUNLIGHT. THIS PRODUCT "FEARS" HEAT SOURCES AND TOO MUCH HUMIDITY, THEREFORE PAY ATTENTION WHERE YOU PLACE IT.

### GENERAL INSTRUCTIONS FOR MAINTENANCE AND CLEANING

FOR DAILY CLEANING USE A DRY COTTON CLOTH. FOR MORE THOROUGH CLEANING USE ONLY A NEUTRAL PRODUCT DILUTED IN WARM WATER. NEVER USE ALCOHOL, AMMONIUM, THINNERS OR ABRASIVE PRODUCTS. IN MARINE ENVIRONMENTS ARTICLE SHOULD BE WEEKLY WHASD WITH FRESH WATER. WE WOULD ADVISE USING GOLDEN CARE PRODUCTS AS THEY ARE SPECIALLY DESIGNED FOR CLEANING METAL, GLASS AND SYNTHETIC FIBRES.

### GENERAL INFORMATION

N.B.: VARASCHIN SPA GUARANTEES THAT THE PRODUCT IS MADE OF QUALITY MATERIALS, USING THE BEST TECHNOLOGIES IN THE TRADE. THE COMPANY DECLINES ALL AND ANY LIABILITY FOR DAMAGE TO PERSONS AND/OR THINGS DUE TO IMPROPER USE OF THE PRODUCT. IF IN DOUBT PLEASE CONTACT THE MANUFACTURER.

### DISPOSAL

PLEASE DO NOT JUST THROW OUT THE PIECE OF FURNITURE OR ANY PART OF IT. WHEN IT IS NO LONGER WANTED, CALL THE DISPOSAL COMPANY TO HAVE IT TAKEN TO A COLLECTION OR RECOVERY POINT.

### FIRE-FIGHTING MEASURES

ALTHOUGH THE PRODUCT IS INFLAMMABLE, IT IS COMBUSTIBLE. THERE ARE NO RESTRICTIONS ON THE TYPES OF EXTINGUISHERS: POWDER, WATER, FOAM OR CO2. USE SUITABLE PROTECTION TO AVOID BREATHING IN FUMES. DURING DISPOSAL TAKE SPECIAL CARE TO PROTECT THE RESPIRATORY SYSTEM.

### PRODUCT WARRANTY

REFER TO ARTICLE 3 "PRODUCT WARRANTY" PUBLISHED ON SALES CONDITIONS, DOCUMENTS OF SALE, WEBSITE [www.varaschin.it](http://www.varaschin.it)

TECHNICAL INFO SHEET: This product information sheet complies with Italian Legislative Decree No. 206 of 6 September 2005, "Consumer Code".

The information given above refers to the latest data published in the price list. The company reserves the right to alter the models without notice.






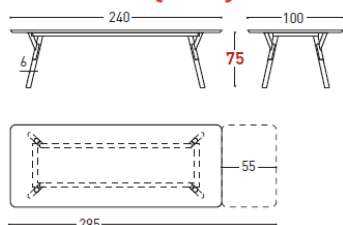




**COMPANY WITH SYSTEM MANAGEMENT QUALITY CERTIFIED UNI EN ISO 9001: 2008**



## LINK

design ALAIN GILLES

Collection of fixed and extending tables with powder coated stainless steel structure; tops and feet available in different materials and finishes.

cod. <b>22221</b>		FINISHES AVAILABLE		DIMENSIONS		 																								
<b>table</b>   cover: <b>9436</b> 	<u>METAL structure:</u> WHITE MOKA GREY SILK GREY	<table border="1"> <tr> <td></td> <td>IN</td> <td>OUT</td> </tr> <tr> <td></td> <td>X</td> <td>X</td> </tr> <tr> <td></td> <td>X</td> <td>X</td> </tr> <tr> <td></td> <td>X</td> <td>X</td> </tr> <tr> <td></td> <td>X</td> <td>X</td> </tr> </table>		IN	OUT		X	X		X	X		X	X		X	X	<table border="1"> <tr> <td></td> <td>IN</td> <td>OUT</td> </tr> <tr> <td></td> <td>X</td> <td>X</td> </tr> <tr> <td></td> <td>X</td> <td>X</td> </tr> </table>		IN	OUT		X	X		X	X	<b>240x100 (h 75)</b>  <b>240x100</b> <b>1 EXT</b>	disassembled in 3 pieces  net kg 82,4  pack m³ m³ 0,498	 net kg 84,4  pack m³ m³ 0,498
		IN	OUT																											
	X	X																												
	X	X																												
	X	X																												
	X	X																												
	IN	OUT																												
	X	X																												
	X	X																												

### STRUCTURAL COMPONENTS

COLLECTION OF FIXED AND EXTENDING TABLES WITH POWDER COATED STAINLESS STEEL STRUCTURE; TOPS AND FEET AVAILABLE IN DIFFERENT MATERIALS AND FINISHES.  
TOP: HPL, TEAK.

### INSTRUCTIONS FOR USING THE PRODUCT PROPERLY AND SAFELY

VARASCHIN IS NOT LIABLE FOR DAMAGE CAUSED BY IMPROPER USE. THE SAME APPLIES TO DAMAGE DERIVING FROM USE IN EXTREME WEATHER CONDITIONS OR LACK OF CARE. TIPS FOR EXTENDING LONGEVITY OF COMPONENTS: DURING THE WINTER STORE IN A DRY AND CLOSED PLACE TO AVOID CONDENSATION .  
DO NOT STEP ON WITH FEET. DO NOT SWING BACK AND FORTH ON THE LEGS. DO NOT SIT. DO NOT USE AS A LADDER. BUTTONS AND THE ZIPPERS OF CLOTHING MAY CAUSE DAMAGE TO THE MATERIALS. IF NECESSARY, PLEASE CONTACT VARASCHIN SPA.  
WOOD COLOUR CHANGES MAY OCCUR AFTER SOME TIME DUE TO EXPOSURE TO SUNLIGHT. THIS PRODUCT "FEARS" HEAT SOURCES AND TOO MUCH HUMIDITY, THEREFORE PAY ATTENTION WHERE YOU PLACE IT.

### GENERAL INSTRUCTIONS FOR MAINTENANCE AND CLEANING

FOR DAILY CLEANING USE A DRY COTTON CLOTH. FOR MORE THOROUGH CLEANING USE ONLY A NEUTRAL PRODUCT DILUTED IN WARM WATER. NEVER USE ALCOHOL, AMMONIUM, THINNERS OR ABRASIVE PRODUCTS. IN MARINE ENVIRONMENTS ARTICLE SHOULD BE WEEKLY WHASED WITH FRESH WATER. WE WOULD ADVISE USING GOLDEN CARE PRODUCTS AS THEY ARE SPECIALLY DESIGNED FOR CLEANING METAL, GLASS AND SYNTHETIC FIBRES.

### GENERAL INFORMATION

N.B.: VARASCHIN SPA GUARANTEES THAT THE PRODUCT IS MADE OF QUALITY MATERIALS, USING THE BEST TECHNOLOGIES IN THE TRADE. THE COMPANY DECLINES ALL AND ANY LIABILITY FOR DAMAGE TO PERSONS AND/OR THINGS DUE TO IMPROPER USE OF THE PRODUCT. IF IN DOUBT PLEASE CONTACT THE MANUFACTURER.

### DISPOSAL

PLEASE DO NOT JUST THROW OUT THE PIECE OF FURNITURE OR ANY PART OF IT. WHEN IT IS NO LONGER WANTED, CALL THE DISPOSAL COMPANY TO HAVE IT TAKEN TO A COLLECTION OR RECOVERY POINT.

### FIRE-FIGHTING MEASURES

ALTHOUGH THE PRODUCT IS INFLAMMABLE, IT IS COMBUSTIBLE. THERE ARE NO RESTRICTIONS ON THE TYPES OF EXTINGUISHERS: POWDER, WATER, FOAM OR CO2. USE SUITABLE PROTECTION TO AVOID BREATHING IN FUMES. DURING DISPOSAL TAKE SPECIAL CARE TO PROTECT THE RESPIRATORY SYSTEM.

### PRODUCT WARRANTY

REFER TO ARTICLE 3 "PRODUCT WARRANTY" PUBLISHED ON SALES CONDITIONS, DOCUMENTS OF SALE, WEBSITE [www.varaschin.it](http://www.varaschin.it)

TECHNICAL INFO SHEET: This product information sheet complies with Italian Legislative Decree No. 206 of 6 September 2005, "Consumer Code".

The information given above refers to the latest data published in the price list. The company reserves the right to alter the models without notice.






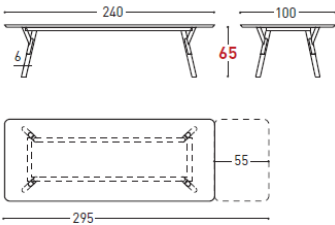
**COMPANY WITH SYSTEM MANAGEMENT QUALITY CERTIFIED UNI EN ISO 9001: 2008**



## LINK

design ALAIN GILLES

Collection of fixed and extending tables with powder coated stainless steel structure; tops and feet available in different materials and finishes.

cod. <b>22221L</b>		FINISHES AVAILABLE		DIMENSIONS		 																																				
<b>table</b>   cover: <b>9436</b> 	<u>METAL structure:</u> WHITE MOKA GREY SILK GREY	<table border="1"> <tr> <td></td> <td>IN</td> <td>OUT</td> </tr> <tr> <td></td> <td>X</td> <td>X</td> </tr> <tr> <td></td> <td>X</td> <td>X</td> </tr> <tr> <td></td> <td>X</td> <td>X</td> </tr> <tr> <td></td> <td>X</td> <td>X</td> </tr> </table>		IN	OUT		X	X		X	X		X	X		X	X	<table border="1"> <tr> <td></td> <td>IN</td> <td>OUT</td> </tr> <tr> <td></td> <td>X</td> <td>X</td> </tr> <tr> <td></td> <td>X</td> <td>X</td> </tr> </table>		IN	OUT		X	X		X	X	<b>240x100 (h 65)</b> 	disassembled in 3 pieces	<table border="1"> <tr> <td>w/hpl top</td> <td></td> <td>net</td> </tr> <tr> <td></td> <td></td> <td>kg 82,4</td> </tr> <tr> <td></td> <td></td> <td>pack m³</td> </tr> <tr> <td></td> <td></td> <td>m³ 0,498</td> </tr> </table>	w/hpl top		net			kg 82,4			pack m³			m³ 0,498
		IN	OUT																																							
		X	X																																							
		X	X																																							
	X	X																																								
	X	X																																								
	IN	OUT																																								
	X	X																																								
	X	X																																								
w/hpl top		net																																								
		kg 82,4																																								
		pack m³																																								
		m³ 0,498																																								
	<u>leg:</u> METAL TEAK	<table border="1"> <tr> <td></td> <td>IN</td> <td>OUT</td> </tr> <tr> <td></td> <td>X</td> <td>X</td> </tr> <tr> <td></td> <td>X</td> <td>X</td> </tr> </table>		IN	OUT		X	X		X	X		<b>240x100</b> <b>1 EXT</b>	<table border="1"> <tr> <td>w/teak top</td> <td></td> <td>net</td> </tr> <tr> <td></td> <td></td> <td>kg 84,4</td> </tr> <tr> <td></td> <td></td> <td>pack m³</td> </tr> <tr> <td></td> <td></td> <td>m³ 0,498</td> </tr> </table>	w/teak top		net			kg 84,4			pack m³			m³ 0,498																
	IN	OUT																																								
	X	X																																								
	X	X																																								
w/teak top		net																																								
		kg 84,4																																								
		pack m³																																								
		m³ 0,498																																								

### STRUCTURAL COMPONENTS

COLLECTION OF FIXED AND EXTENDING TABLES WITH POWDER COATED STAINLESS STEEL STRUCTURE; TOPS AND FEET AVAILABLE IN DIFFERENT MATERIALS AND FINISHES.  
TOP: HPL, TEAK.

### INSTRUCTIONS FOR USING THE PRODUCT PROPERLY AND SAFELY

VARASCHIN IS NOT LIABLE FOR DAMAGE CAUSED BY IMPROPER USE. THE SAME APPLIES TO DAMAGE DERIVING FROM USE IN EXTREME WEATHER CONDITIONS OR LACK OF CARE. TIPS FOR EXTENDING LONGEVITY OF COMPONENTS: DURING THE WINTER STORE IN A DRY AND CLOSED PLACE TO AVOID CONDENSATION .  
DO NOT STEP ON WITH FEET. DO NOT SWING BACK AND FORTH ON THE LEGS. DO NOT SIT. DO NOT USE AS A LADDER. BUTTONS AND THE ZIPPERS OF CLOTHING MAY CAUSE DAMAGE TO THE MATERIALS. IF NECESSARY, PLEASE CONTACT VARASCHIN SPA.  
WOOD COLOUR CHANGES MAY OCCUR AFTER SOME TIME DUE TO EXPOSURE TO SUNLIGHT. THIS PRODUCT "FEARS" HEAT SOURCES AND TOO MUCH HUMIDITY, THEREFORE PAY ATTENTION WHERE YOU PLACE IT.

### GENERAL INSTRUCTIONS FOR MAINTENANCE AND CLEANING

FOR DAILY CLEANING USE A DRY COTTON CLOTH. FOR MORE THOROUGH CLEANING USE ONLY A NEUTRAL PRODUCT DILUTED IN WARM WATER. NEVER USE ALCOHOL, AMMONIUM, THINNERS OR ABRASIVE PRODUCTS. IN MARINE ENVIRONMENTS ARTICLE SHOULD BE WEEKLY WHASD WITH FRESH WATER. WE WOULD ADVISE USING GOLDEN CARE PRODUCTS AS THEY ARE SPECIALLY DESIGNED FOR CLEANING METAL, GLASS AND SYNTHETIC FIBRES.

### GENERAL INFORMATION

N.B.: VARASCHIN SPA GUARANTEES THAT THE PRODUCT IS MADE OF QUALITY MATERIALS, USING THE BEST TECHNOLOGIES IN THE TRADE. THE COMPANY DECLINES ALL AND ANY LIABILITY FOR DAMAGE TO PERSONS AND/OR THINGS DUE TO IMPROPER USE OF THE PRODUCT. IF IN DOUBT PLEASE CONTACT THE MANUFACTURER.

### DISPOSAL

PLEASE DO NOT JUST THROW OUT THE PIECE OF FURNITURE OR ANY PART OF IT. WHEN IT IS NO LONGER WANTED, CALL THE DISPOSAL COMPANY TO HAVE IT TAKEN TO A COLLECTION OR RECOVERY POINT.

### FIRE-FIGHTING MEASURES

ALTHOUGH THE PRODUCT IS INFLAMMABLE, IT IS COMBUSTIBLE. THERE ARE NO RESTRICTIONS ON THE TYPES OF EXTINGUISHERS: POWDER, WATER, FOAM OR CO2. USE SUITABLE PROTECTION TO AVOID BREATHING IN FUMES. DURING DISPOSAL TAKE SPECIAL CARE TO PROTECT THE RESPIRATORY SYSTEM.

### PRODUCT WARRANTY

REFER TO ARTICLE 3 "PRODUCT WARRANTY" PUBLISHED ON SALES CONDITIONS, DOCUMENTS OF SALE, WEBSITE [www.varaschin.it](http://www.varaschin.it)

TECHNICAL INFO SHEET: This product information sheet complies with Italian Legislative Decree No. 206 of 6 September 2005, "Consumer Code".

The information given above refers to the latest data published in the price list. The company reserves the right to alter the models without notice.

**COMPANY WITH SYSTEM MANAGEMENT QUALITY CERTIFIED UNI EN ISO 9001: 2008**





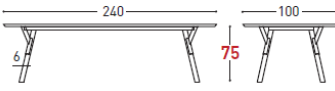
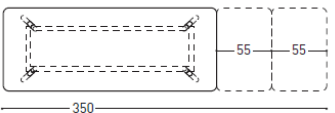








## LINK

design ALAIN GILLES

Collection of fixed and extending tables with powder coated stainless steel structure; tops and feet available in different materials and finishes.

cod. <b>22222</b>		FINISHES AVAILABLE		DIMENSIONS		 																		
<b>table</b>  	<b>METAL structure:</b> <table border="1"> <tr> <td></td> <td>IN</td> <td>OUT</td> </tr> <tr> <td>WHITE</td> <td>X</td> <td>X</td> </tr> <tr> <td>MOKA</td> <td>X</td> <td>X</td> </tr> <tr> <td>GREY</td> <td>X</td> <td>X</td> </tr> <tr> <td>SILK GREY</td> <td>X</td> <td>X</td> </tr> </table>			IN	OUT	WHITE	X	X	MOKA	X	X	GREY	X	X	SILK GREY	X	X	<b>240x100 (h 75)</b>  		 disassembled in 4 pieces				
		IN	OUT																					
WHITE	X	X																						
MOKA	X	X																						
GREY	X	X																						
SILK GREY	X	X																						
cover: <b>9436</b> 	<b>leg:</b> <table border="1"> <tr> <td></td> <td>X</td> <td>X</td> </tr> <tr> <td>METAL</td> <td>X</td> <td>X</td> </tr> <tr> <td>TEAK</td> <td>X</td> <td>X</td> </tr> </table>			X	X	METAL	X	X	TEAK	X	X	<b>top:</b> <table border="1"> <tr> <td></td> <td>X</td> <td>X</td> </tr> <tr> <td>HPL</td> <td>X</td> <td>X</td> </tr> <tr> <td>TEAK</td> <td>X</td> <td>X</td> </tr> </table>			X	X	HPL	X	X	TEAK	X	X	w/hpl top  net kg 91,8  pack m³ m³ 0,526	
	X	X																						
METAL	X	X																						
TEAK	X	X																						
	X	X																						
HPL	X	X																						
TEAK	X	X																						
<b>240x100</b> <b>2 EXT</b>																								

### STRUCTURAL COMPONENTS

COLLECTION OF FIXED AND EXTENDING TABLES WITH POWDER COATED STAINLESS STEEL STRUCTURE; TOPS AND FEET AVAILABLE IN DIFFERENT MATERIALS AND FINISHES.  
TOP: HPL, TEAK.

### INSTRUCTIONS FOR USING THE PRODUCT PROPERLY AND SAFELY

VARASCHIN IS NOT LIABLE FOR DAMAGE CAUSED BY IMPROPER USE. THE SAME APPLIES TO DAMAGE DERIVING FROM USE IN EXTREME WEATHER CONDITIONS OR LACK OF CARE. TIPS FOR EXTENDING LONGEVITY OF COMPONENTS: DURING THE WINTER STORE IN A DRY AND CLOSED PLACE TO AVOID CONDENSATION .

DO NOT STEP ON WITH FEET. DO NOT SWING BACK AND FORTH ON THE LEGS. DO NOT SIT. DO NOT USE AS A LADDER. BUTTONS AND THE ZIPPERS OF CLOTHING MAY CAUSE DAMAGE TO THE MATERIALS. IF NECESSARY, PLEASE CONTACT VARASCHIN SPA.

WOOD COLOUR CHANGES MAY OCCUR AFTER SOME TIME DUE TO EXPOSURE TO SUNLIGHT. THIS PRODUCT "FEARS" HEAT SOURCES AND TOO MUCH HUMIDITY, THEREFORE PAY ATTENTION WHERE YOU PLACE IT.

### GENERAL INSTRUCTIONS FOR MAINTENANCE AND CLEANING

FOR DAILY CLEANING USE A DRY COTTON CLOTH. FOR MORE THOROUGH CLEANING USE ONLY A NEUTRAL PRODUCT DILUTED IN WARM WATER. NEVER USE ALCOHOL, AMMONIUM, THINNERS OR ABRASIVE PRODUCTS. IN MARINE ENVIRONMENTS ARTICLE SHOULD BE WEEKLY WHASED WITH FRESH WATER. WE WOULD ADVISE USING GOLDEN CARE PRODUCTS AS THEY ARE SPECIALLY DESIGNED FOR CLEANING METAL, GLASS AND SYNTHETIC FIBRES.

### GENERAL INFORMATION

N.B.: VARASCHIN SPA GUARANTEES THAT THE PRODUCT IS MADE OF QUALITY MATERIALS, USING THE BEST TECHNOLOGIES IN THE TRADE. THE COMPANY DECLINES ALL AND ANY LIABILITY FOR DAMAGE TO PERSONS AND/OR THINGS DUE TO IMPROPER USE OF THE PRODUCT. IF IN DOUBT PLEASE CONTACT THE MANUFACTURER.

### DISPOSAL

PLEASE DO NOT JUST THROW OUT THE PIECE OF FURNITURE OR ANY PART OF IT. WHEN IT IS NO LONGER WANTED, CALL THE DISPOSAL COMPANY TO HAVE IT TAKEN TO A COLLECTION OR RECOVERY POINT.

### FIRE-FIGHTING MEASURES

ALTHOUGH THE PRODUCT IS INFLAMMABLE, IT IS COMBUSTIBLE. THERE ARE NO RESTRICTIONS ON THE TYPES OF EXTINGUISHERS: POWDER, WATER, FOAM OR CO2. USE SUITABLE PROTECTION TO AVOID BREATHING IN FUMES. DURING DISPOSAL TAKE SPECIAL CARE TO PROTECT THE RESPIRATORY SYSTEM.

### PRODUCT WARRANTY

REFER TO ARTICLE 3 "PRODUCT WARRANTY" PUBLISHED ON SALES CONDITIONS, DOCUMENTS OF SALE, WEBSITE [www.varaschin.it](http://www.varaschin.it)

TECHNICAL INFO SHEET: This product information sheet complies with Italian Legislative Decree No. 206 of 6 September 2005, "Consumer Code".

The information given above refers to the latest data published in the price list. The company reserves the right to alter the models without notice.

**COMPANY WITH SYSTEM MANAGEMENT QUALITY CERTIFIED UNI EN ISO 9001: 2008**






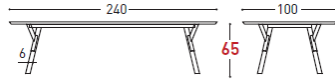
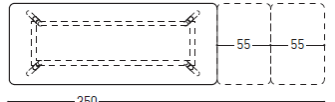







## LINK

design ALAIN GILLES

Collection of fixed and extending tables with powder coated stainless steel structure; tops and feet available in different materials and finishes.

cod. <b>22222L</b>		FINISHES AVAILABLE		DIMENSIONS		 																
<b>table</b>      cover: <b>9436</b>  	<b>METAL structure:</b>		<table border="1"> <tr> <td></td> <td>IN</td> <td>OUT</td> </tr> <tr> <td>WHITE</td> <td>X</td> <td>X</td> </tr> <tr> <td>MOKA</td> <td>X</td> <td>X</td> </tr> <tr> <td>GREY</td> <td>X</td> <td>X</td> </tr> <tr> <td>SILK GREY</td> <td>X</td> <td>X</td> </tr> </table>		IN	OUT	WHITE	X	X	MOKA	X	X	GREY	X	X	SILK GREY	X	X	<b>240x100 (h 65)</b>   		 disassembled in 4 pieces	
		IN	OUT																			
	WHITE	X	X																			
	MOKA	X	X																			
GREY	X	X																				
SILK GREY	X	X																				
<b>leg:</b>		<table border="1"> <tr> <td></td> <td>X</td> <td>X</td> </tr> <tr> <td>METAL</td> <td>X</td> <td>X</td> </tr> <tr> <td>TEAK</td> <td>X</td> <td>X</td> </tr> </table>		X	X	METAL	X	X	TEAK	X	X	<b>240x100</b> <b>2 EXT</b>		 net kg 91,8   pack m³ m³ 0,526								
	X	X																				
METAL	X	X																				
TEAK	X	X																				
<b>top:</b>		<table border="1"> <tr> <td></td> <td>X</td> <td>X</td> </tr> <tr> <td>HPL</td> <td>X</td> <td>X</td> </tr> <tr> <td>TEAK</td> <td>X</td> <td>X</td> </tr> </table>		X	X	HPL	X	X	TEAK	X	X											
	X	X																				
HPL	X	X																				
TEAK	X	X																				

### STRUCTURAL COMPONENTS

COLLECTION OF FIXED AND EXTENDING TABLES WITH POWDER COATED STAINLESS STEEL STRUCTURE; TOPS AND FEET AVAILABLE IN DIFFERENT MATERIALS AND FINISHES.  
TOP: HPL, TEAK.

### INSTRUCTIONS FOR USING THE PRODUCT PROPERLY AND SAFELY

VARASCHIN IS NOT LIABLE FOR DAMAGE CAUSED BY IMPROPER USE. THE SAME APPLIES TO DAMAGE DERIVING FROM USE IN EXTREME WEATHER CONDITIONS OR LACK OF CARE. TIPS FOR EXTENDING LONGEVITY OF COMPONENTS: DURING THE WINTER STORE IN A DRY AND CLOSED PLACE TO AVOID CONDENSATION .

DO NOT STEP ON WITH FEET. DO NOT SWING BACK AND FORTH ON THE LEGS. DO NOT SIT. DO NOT USE AS A LADDER. BUTTONS AND THE ZIPPERS OF CLOTHING MAY CAUSE DAMAGE TO THE MATERIALS. IF NECESSARY, PLEASE CONTACT VARASCHIN SPA.

WOOD COLOUR CHANGES MAY OCCUR AFTER SOME TIME DUE TO EXPOSURE TO SUNLIGHT. THIS PRODUCT "FEARS" HEAT SOURCES AND TOO MUCH HUMIDITY, THEREFORE PAY ATTENTION WHERE YOU PLACE IT.

### GENERAL INSTRUCTIONS FOR MAINTENANCE AND CLEANING

FOR DAILY CLEANING USE A DRY COTTON CLOTH. FOR MORE THOROUGH CLEANING USE ONLY A NEUTRAL PRODUCT DILUTED IN WARM WATER. NEVER USE ALCOHOL, AMMONIUM, THINNERS OR ABRASIVE PRODUCTS. IN MARINE ENVIRONMENTS ARTICLE SHOULD BE WEEKLY WHASED WITH FRESH WATER. WE WOULD ADVISE USING GOLDEN CARE PRODUCTS AS THEY ARE SPECIALLY DESIGNED FOR CLEANING METAL, GLASS AND SYNTHETIC FIBRES.

### GENERAL INFORMATION

N.B.: VARASCHIN SPA GUARANTEES THAT THE PRODUCT IS MADE OF QUALITY MATERIALS, USING THE BEST TECHNOLOGIES IN THE TRADE. THE COMPANY DECLINES ALL AND ANY LIABILITY FOR DAMAGE TO PERSONS AND/OR THINGS DUE TO IMPROPER USE OF THE PRODUCT. IF IN DOUBT PLEASE CONTACT THE MANUFACTURER.

### DISPOSAL

PLEASE DO NOT JUST THROW OUT THE PIECE OF FURNITURE OR ANY PART OF IT. WHEN IT IS NO LONGER WANTED, CALL THE DISPOSAL COMPANY TO HAVE IT TAKEN TO A COLLECTION OR RECOVERY POINT.

### FIRE-FIGHTING MEASURES

ALTHOUGH THE PRODUCT IS INFLAMMABLE, IT IS COMBUSTIBLE. THERE ARE NO RESTRICTIONS ON THE TYPES OF EXTINGUISHERS: POWDER, WATER, FOAM OR CO2. USE SUITABLE PROTECTION TO AVOID BREATHING IN FUMES. DURING DISPOSAL TAKE SPECIAL CARE TO PROTECT THE RESPIRATORY SYSTEM.

### PRODUCT WARRANTY

REFER TO ARTICLE 3 "PRODUCT WARRANTY" PUBLISHED ON SALES CONDITIONS, DOCUMENTS OF SALE, WEBSITE [www.varaschin.it](http://www.varaschin.it)

TECHNICAL INFO SHEET: This product information sheet complies with Italian Legislative Decree No. 206 of 6 September 2005, "Consumer Code".

The information given above refers to the latest data published in the price list. The company reserves the right to alter the models without notice.

**COMPANY WITH SYSTEM MANAGEMENT QUALITY CERTIFIED UNI EN ISO 9001: 2008**