



The Levitt armchair, with its striking appearance from all sides, is perfect for both domestic and commercial use. Special moulds are used to obtain the elegant curved backs. The seat is made of high-quality viscoelastic material. The cover fits the shape of the seat perfectly and is non-removable (modern cleaning technology allows cleaning the cover without its removal).

---

#### TECHNICAL INFO

Back in curved plywood and wooden base covered in non-deformable expanded polyurethane with various densities and polyester fibre.  
Cushions filled with sterilised goose and duck feathers with hollow siliconized fibre and anti-dust mite treatment.  
Feather-proof cotton cover.  
Non-removable cover.

---

#### FINISHES

Check upholstery samples

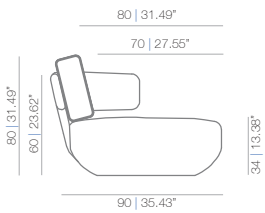
---

#### CERTIFICATES





## LEVIT

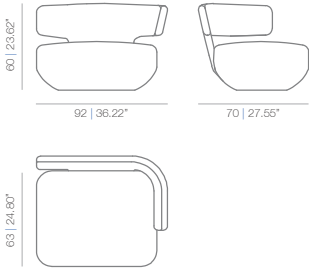


## PROJECTS

Barclays Bank | Bentel & Bentel Cosmopolitan Suites | Confortel Hotels | Durrat Al Bahrein | Fnac | Tribeca Grand Hotel | Zara Inditex Group | Veuve Clicquot Milano | Open Tennis Valencia | 33rd America's Cup | Petromar | W Hotels | Auditorio y Palacio de Congresos de Castellón

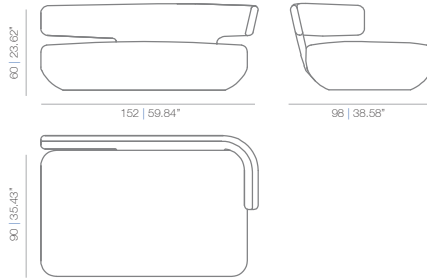
SKU:VIMOB-402-SOFA152

ARMCHAIR



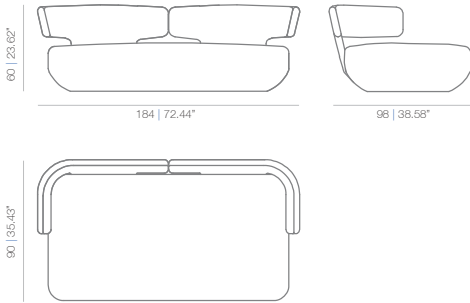
SKU:VIMOB-402-SOFA152

SOFA 152



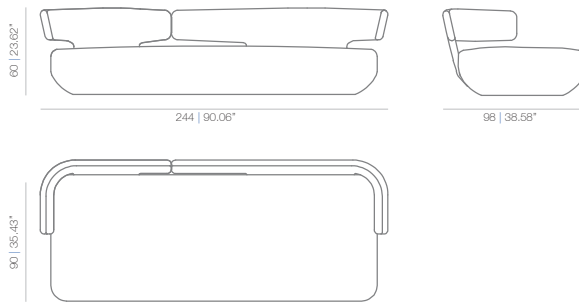
SKU:VIMOB-402-SOFA184

SOFA 184

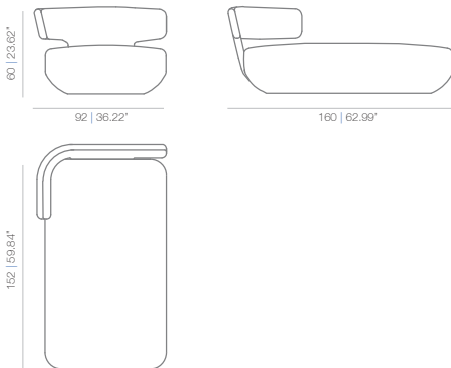


SKU:VIMOB-402-SOFA244

SOFA 244



CHAISE



BACKREST-CUSHIONS





Ludovica+Roberto Palomba, architects, work and live in Milan. They founded Palomba Serafini Associati in 1994.

They received numerous international awards such as Compasso D'Oro, Elle Decoration International Design Award, Red Dot, Design Plus, Good Design Award, German Design Award.

Ludovica+Roberto Palomba plan architectures and design exhibitions worldwide. They work and are art director for some of the most established brands.

Brand Credits: Antolini, Bisazza, Boffi, Brix, Cappellini, Dornbracht, Driade, Elica, Elmar, Exteta, Fiam, Flaminia, Foscarini, KitchenAid, Kos, Laufen, Lema, Plank, Poltrona Frau, Rapsel, Redaelli, Salviati, Sawaya & Moroni, Samsung, Schifflini, Tubes, Valli&Valli, Viccarbe, When Objects Work, Zanotta, Zucchetti.

---