



A plywood oak chair with the finishes in our collection. The seat could be in wood finish, with upholstered cushion or fully upholstered in smooth or stripe version.

Perfect for home and contract use, stackable up to 10 chairs for non-upholstered version or stackable up to 4 chairs for upholstered versions.

Its name is a reference to the slot in its back, which serves both as a handle for moving it about easily and as a support on which to hang handbags and the like. Totally in line with its original design we have made arms in lacquered steel tubing for our successful Klip chair.

VICTOR CARRASCO



Born in Valencia (Spain) in 1974, Victor Carrasco began his professional career after graduating Cum Laude in Industrial Design Engineering at the Polytechnic University of Valencia.

Shying away from trends and fads, he has developed and positioned international brands with remarkable added value, thanks to his passion for synthesis, sustainable growth and his pragmatic vision of the future.

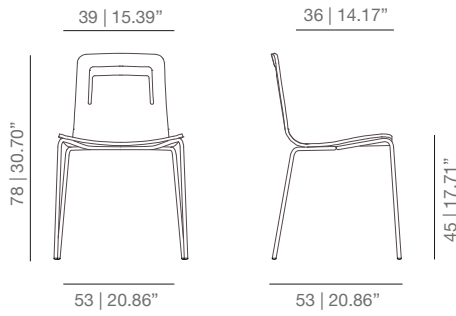
Since 2007, he has been combining his position as strategic director of Viccarbe with that of Design Director for the prestigious American multinational Coalesse (Steelcase Inc.). Likewise, as an industrial designer, he has collaborated with numerous international companies such as Boffi, Glas Italia, Gandia Blasco, LZP, Vibia and Vaalva, among others.

He was the recipient of the Prince Felipe Award for Business Excellence in 2008.

DIMENSIONS

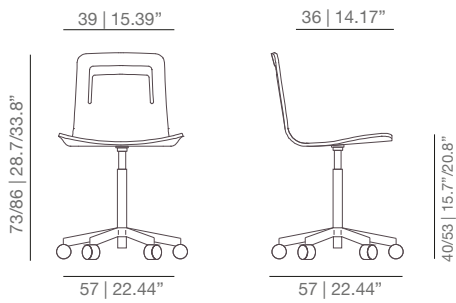
STAINED / LACQUERED WITH HANDLE

SKU:VIMOB-401-KL4P_R



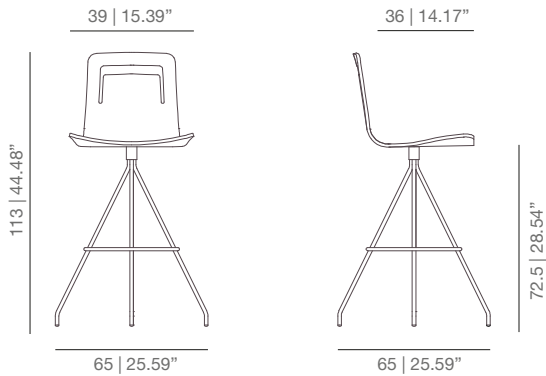
KLBR_R casters base with han

SKU:VIMOB-401-KLBR_R



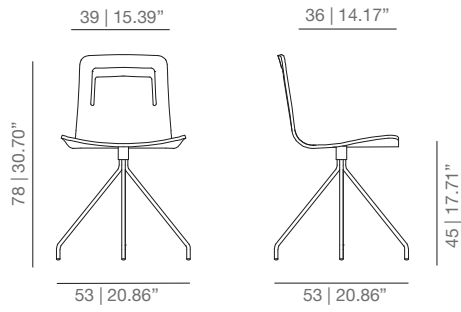
KL4PU_R four star base with handle

SKU:VIMOB-403-KLT_R



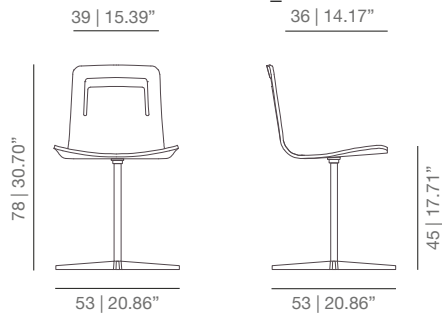
KL4PU_R four star base with handle

SKU:VIMOB-401-KLG_R



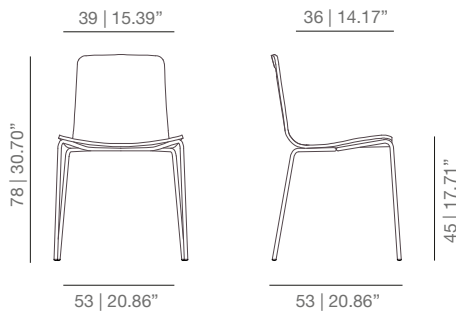
KLBR_R casters base with han

SKU:VIMOB-401-KL4PU_R



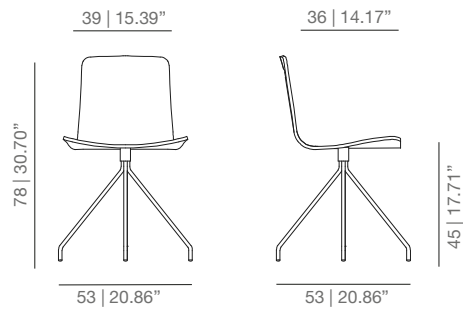
STAINED / LACQUERED WITH HANDLE

SKU:VIMOB-401-KL4P_R



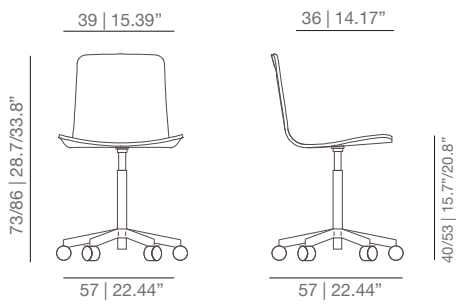
KL4PU_R swivel base with handle

SKU:VIMOB-401-KLG_R



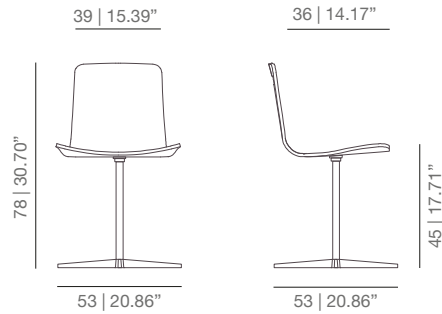
KLBR_R casters base without handle

SKU:VIMOB-401-KLBR_R



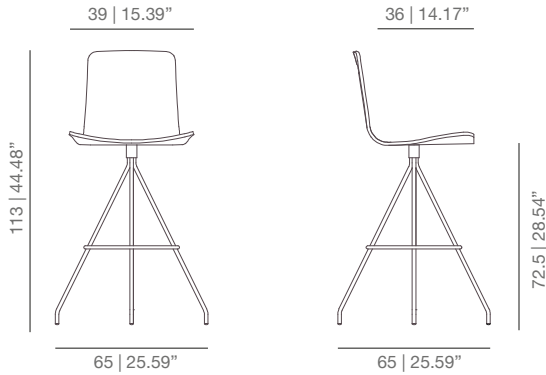
KL4PU_R four star base without base

SKU:VIMOB-401-KL4PU_R



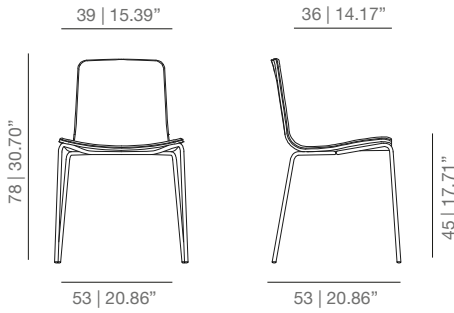
KLT_R swivel stool base without handle

SKU:VIMOB-403-KLT_R



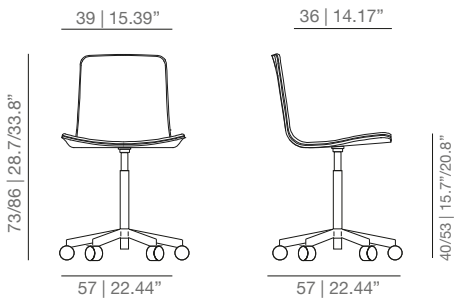
SMOOTH UPHOLSTERY

SKU:VIMOB-401-KL4PT



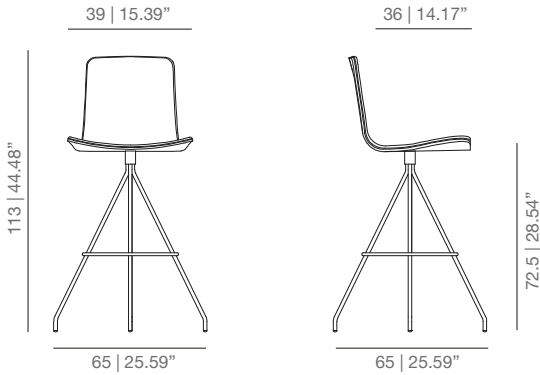
KL4PUT casters base smooth upholstery

SKU:VIMOB-401-KL4PUT



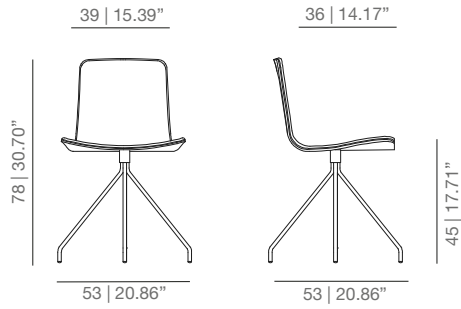
KLT swivel stool base smooth upholstery

SKU:VIMOB-403-KLT



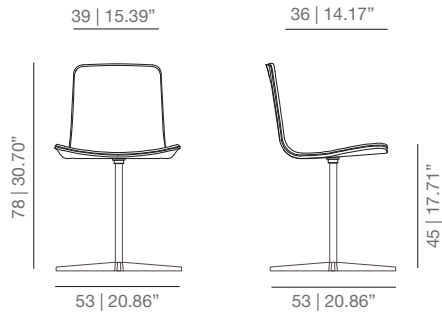
KLGT swivel base smooth upholstery

SKU:VIMOB-401-KLGT



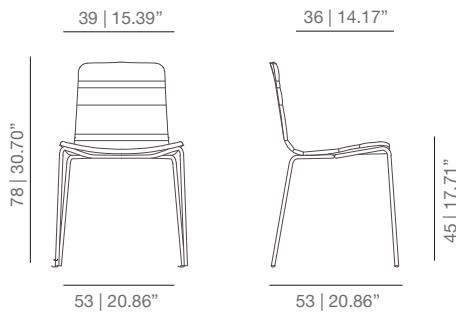
KLBRT four star base smooth upholstery

SKU:VIMOB-401-KLBRT



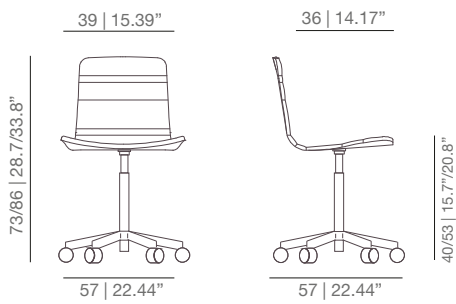
LINES UPHOLSTERY

SKU:VIMOB-401-KL4PB



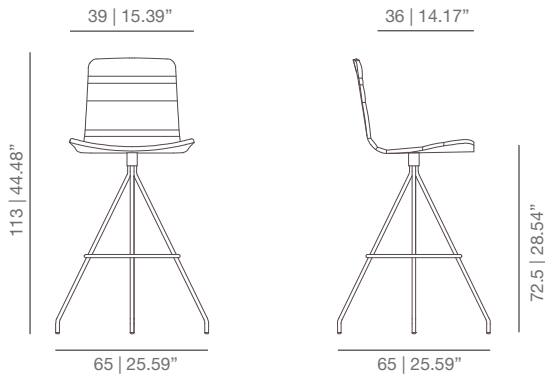
KL4PUB casters base lines upholstery

SKU:VIMOB-401-KL4PUB



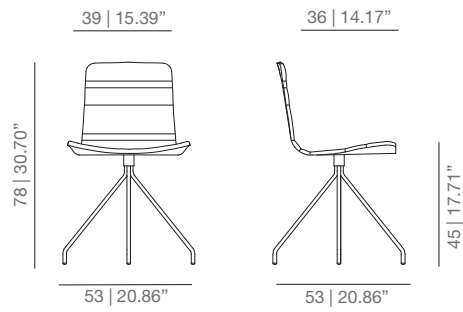
KLTB swivel stool base lines upholstery

SKU:VIMOB-403-KLTB

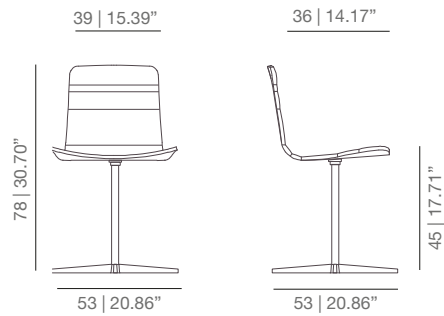


KLGB swivel base lines upholstery

SKU:VIMOB-401-KLGB

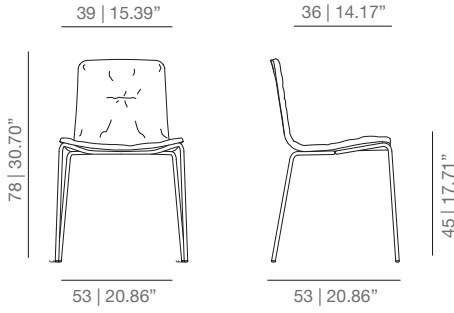


SKU:VIMOB-401-KLBRB



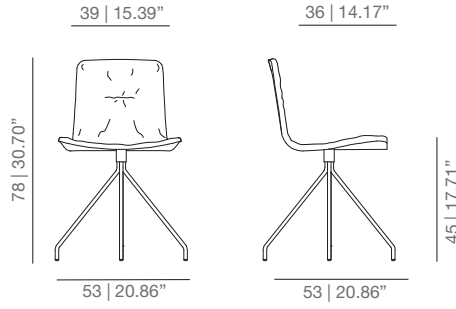
SOFT UPHOLSTERY

SKU:VIMOB-401-KL4P



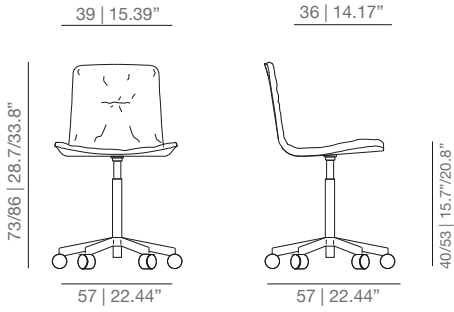
KLGTS swivel base soft upholstery

SKU:VIMOB-401-KLGTS



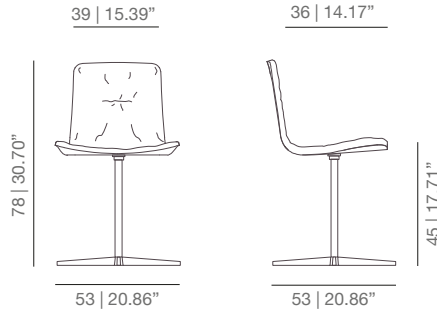
KLBRTS casters base soft upholstery

SKU:VIMOB-401-KLBRTS



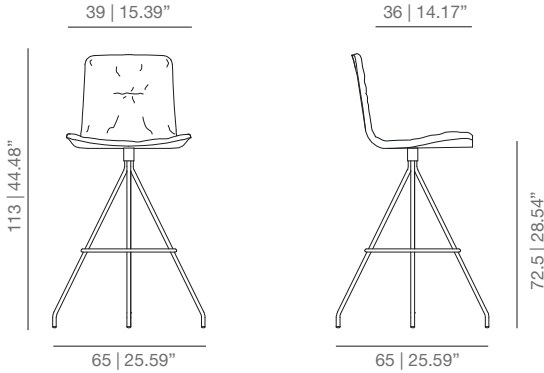
KLBRTS four star base soft upholstery

SKU:VIMOB-401-KLBRTS



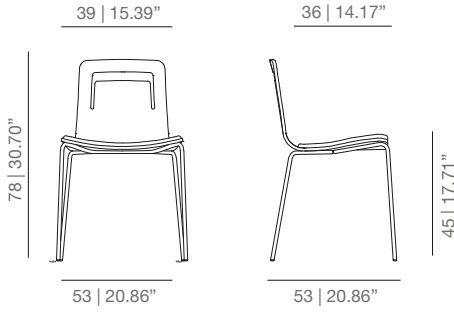
KLTTs swivel stool base soft upholstery

SKU:VIMOB-401-KLTTs



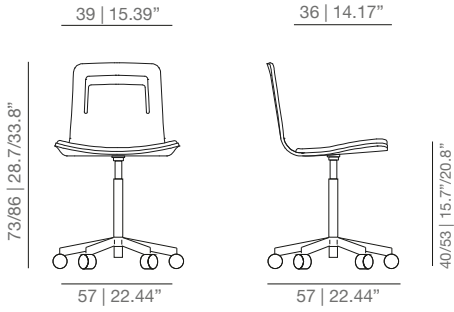
STAINED / LACQUERED WITH CUSHION AND HANDLE

SKU:VIMOB-401-KL4P_CR



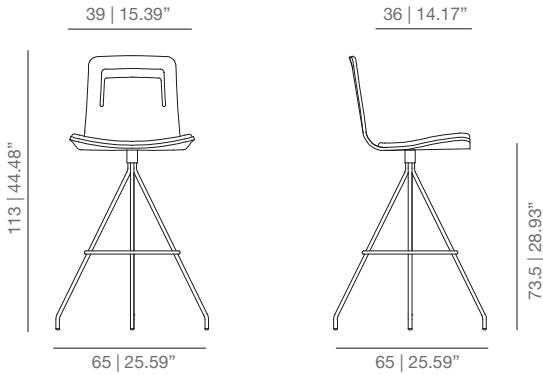
KL4PU_CR casters base with cushion and handle

SKU:VIMOB-401-KL4PU_CR



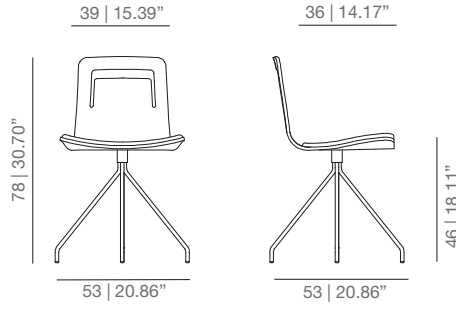
KL4T_CR swivel stool base with cushion and handle

SKU:VIMOB-403-KL4T_CR



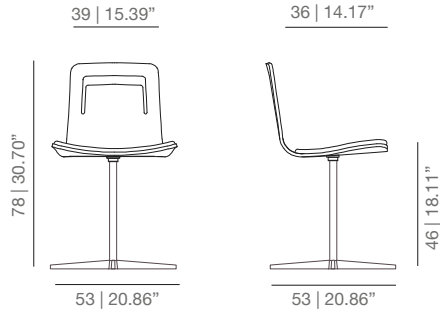
KL4G_CR swivel base with cushion and handle

SKU:VIMOB-401-KL4G_CR



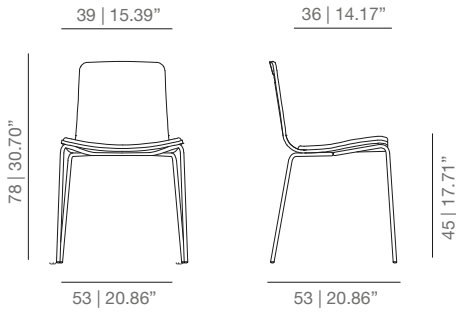
KL4BR_CR four star base with cushion and handle

SKU:VIMOB-401-KL4BR_CR



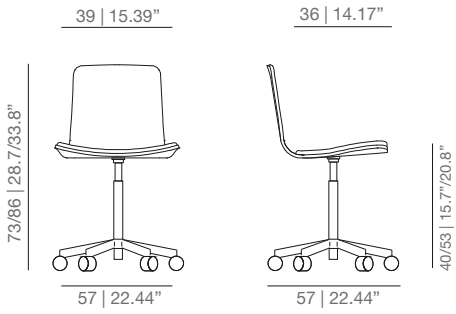
STAINED / LAQUERED WITH CUSHION

SKU:VIMOB-401-KL4P_C



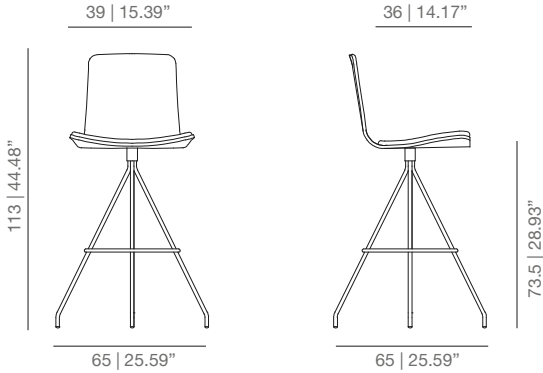
KL4PU_C casters base with cushion

SKU:VIMOB-401-KL4PU_C



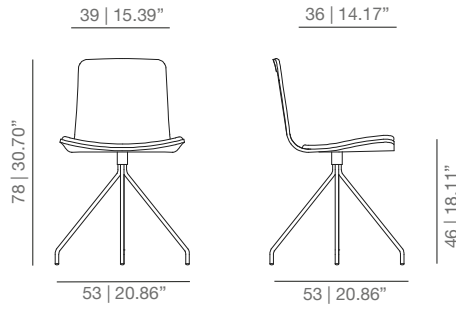
KLT_C swivel stool base with cushion

SKU:VIMOB-403-KLT_C



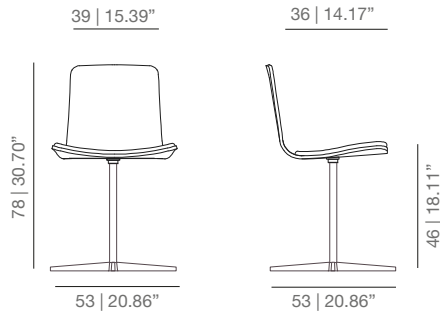
KLG_C swivel base with cushion

SKU:VIMOB-401-KLG_C



KLBR_C four star base with cushion

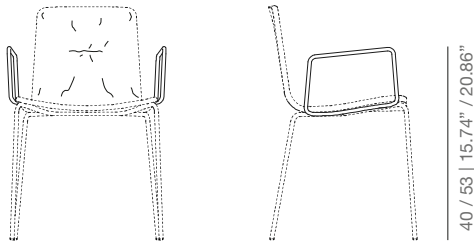
SKU:VIMOB-401-KLBR_C



ACCESSORIES

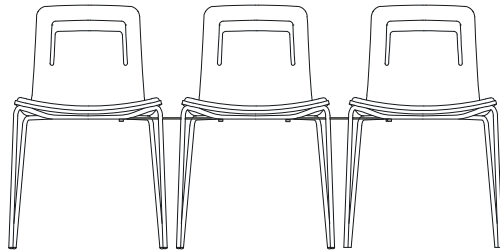
KLBR arms

Calibrated steel arms powder coated in thermoreinforced polyester. Available for all types of bases.



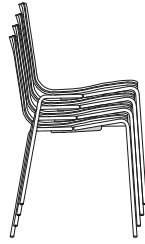
KLUN linking device for units

Linking device for chairs with four legs base. Finish black.



KLCO stacking protection pad

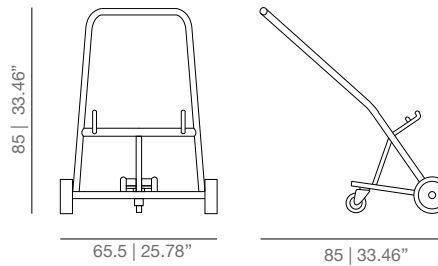
Polyethylene protective cover to use when stacking upholstered chairs. Stackable up to 4 units. Don't stack for long time as upholstered can be marked and damage.



KLCT trolley

Available to transport chairs with four legs base. Trolley lacquered in black.

The transport is possible for a maximum of 10 chairs simultaneously for models of plywood natural oak stained or lacquered and 4 chairs for upholstered models.



TECHNICAL INFO

A plywood oak chair lacquered or stained with the finishes of our collection. The seat could be in wood finish, with an upholstered cushion or fully upholstered in soft, smooth or stripe version.

Different options for the structure:

FOUR LEGS: Calibrated steel structure lacquered in thermoreinforced polyester. Stackable up to 10 chairs for non-upholstered version or stackable up to 4 chairs for upholstered versions.

SWIVEL BASE: Calibrated steel structure lacquered in thermoreinforced polyester.

CASTERS BASE: Aluminum swivel base lacquered in white or black, height adjustment system and soft casters.

SWIVEL STOOL: Calibrated steel structure lacquered in thermoreinforced polyester and footrest in stainless steel.

FOUR STAR BASE: Calibrated steel structure powder coated in thermoreinforced polyester. Four star aluminium base.

Calibrated steel arms lacquered in thermosetting polyester.

FINISHES

SEAT

Lacquered



White
RAL 9003



Black
RAL 9005



Grey
RAL 9006



Sand
NCS 3005Y50R



Tobacco
RAL 8028



Smoke grey
RAL 1019



Silver
RAL 9006



Red
RAL 3001



Moustart
RAL 1012



Green
RAL 6007



Blue
RAL 5024



Bronze

Stained



Matt
oak



Wenge



Cognac



Ash

BASE | ARMS

Lacquered



White
RAL 9003



Black
RAL 9005



Altea blue
RAL 5000



Sand
NCS 3005Y50R



Fluorescent Orange
RAL 2005

CERTIFICATES

UNE EN 16139:13

ANSI BIFMA X5.1-2011 (four legs base),

KLIP stool

Seat and back static load test | Vertical static load on back.

Foot rest and leg rest static load test | Seat and back durability test.

Seat front edge durability test | Foot rest durability test.

Seat impact test | Backard fall test.





PROJECTS

AA Residence | Progetti | L'Antic Colonial Showroom | Willy Ramos Art Studio | Auditorio y Palacio de Congresos de Castellón