



A plywood oak chair with the finishes in our collection. The seat could be in wood finish, with upholstered cushion or fully upholstered in smooth or stripe version.

Perfect for home and contract use, stackable up to 10 chairs for non-upholstered version or stackable up to 4 chairs for upholstered versions.

Its name is a reference to the slot in its back, which serves both as a handle for moving it about easily and as a support on which to hang handbags and the like. Totally in line with its original design we have made arms in lacquered steel tubing for our successful Klip chair.

VICTOR CARRASCO



Born in Valencia (Spain) in 1974, Victor Carrasco began his professional career after graduating Cum Laude in Industrial Design Engineering at the Polytechnic University of Valencia.

Shying away from trends and fads, he has developed and positioned international brands with remarkable added value, thanks to his passion for synthesis, sustainable growth and his pragmatic vision of the future.

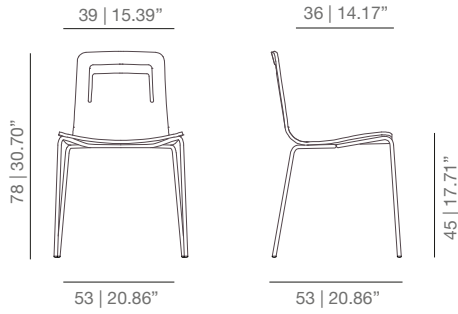
Since 2007, he has been combining his position as strategic director of Viccarbe with that of Design Director for the prestigious American multinational Coalesse (Steelcase Inc.). Likewise, as an industrial designer, he has collaborated with numerous international companies such as Boffi, Glas Italia, Gandia Blasco, LZP, Vibia and Vaalva, among others.

He was the recipient of the Prince Felipe Award for Business Excellence in 2008.

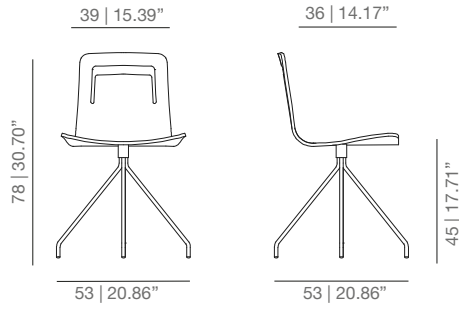
DIMENSIONS

STAINED / LACQUERED WITH HANDLE

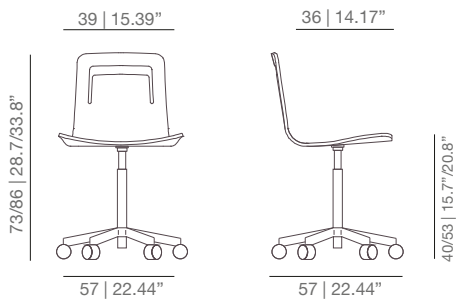
KL4P_R four legs base with handle



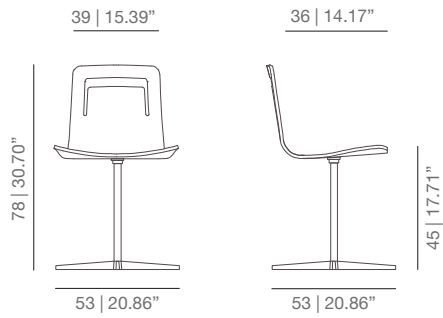
KLG_R swivel base with handle



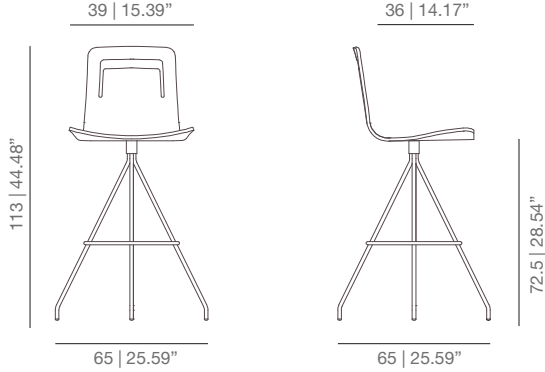
KLBR_R casters base with han



KL4PU_R four star base with handle

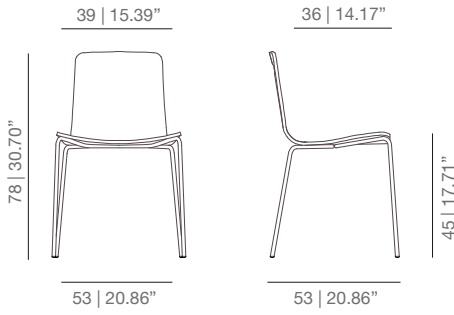


KLT_R swivel stool base with handle

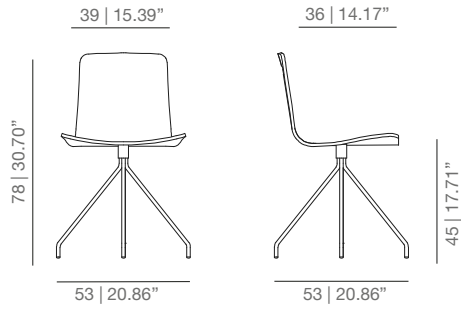


STAINED / LACQUERED WITHOUT HANDLE

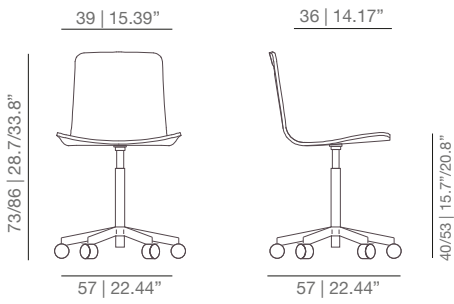
KL4P_R four legs base without handle



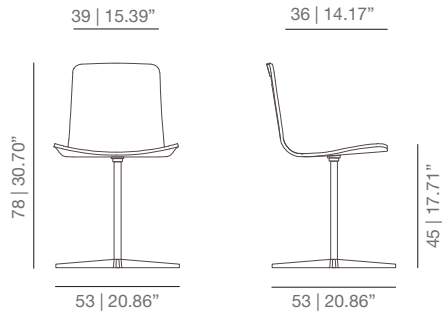
KLG_R swivel base without handle



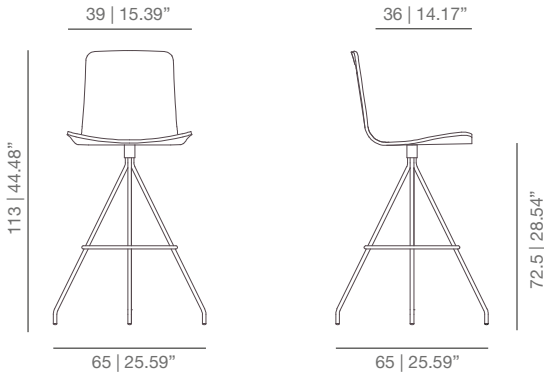
KLBR_R casters base without handle



KL4PU_R four star base without base

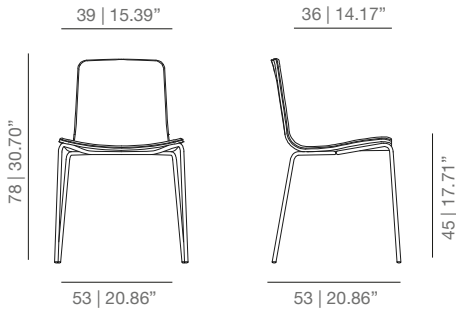


KLT_R swivel stool base without handle

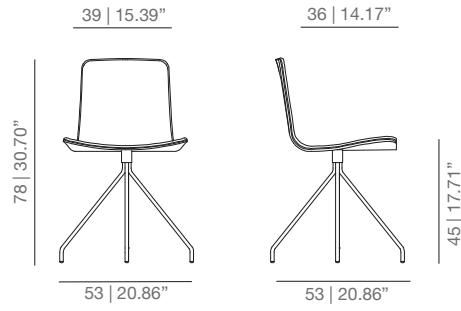


SMOOTH UPHOLSTERY

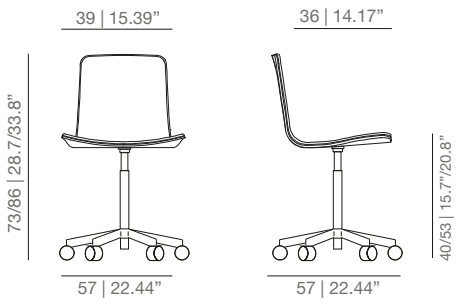
KL4PT four legs base smooth upholstery



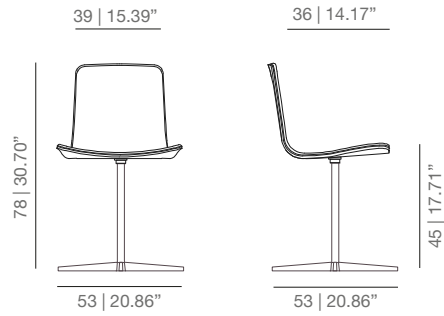
KLGT swivel base smooth upholstery



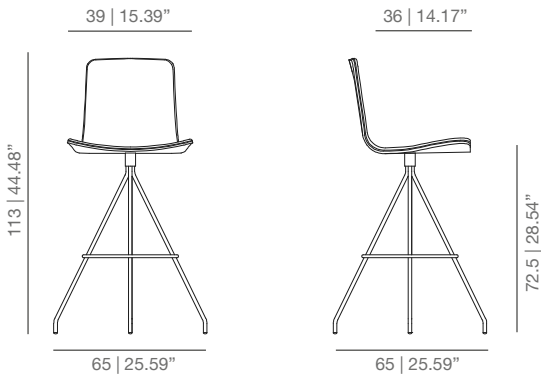
KL4PUT casters base smooth upholstery



KLBRT four star base smooth upholstery

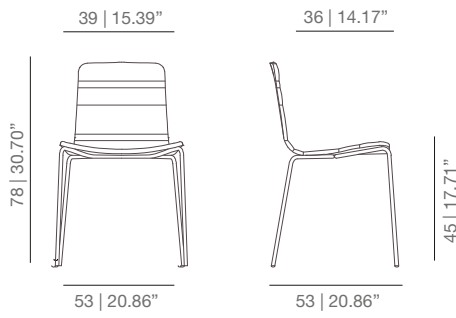


KLT swivel stool base smooth upholstery

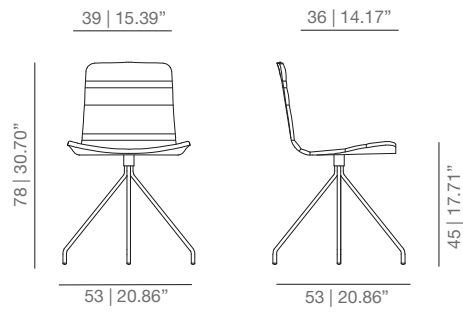


LINES UPHOLSTERY

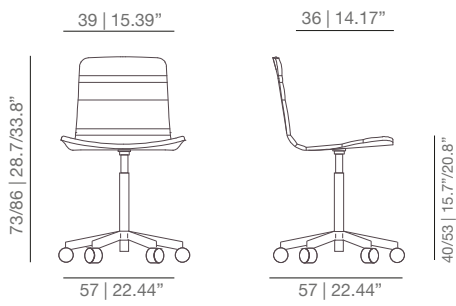
KL4PB four legs base lines upholstery



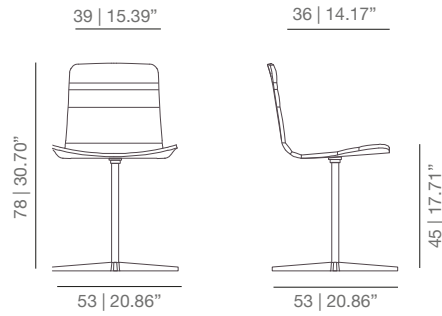
KLGB swivel base lines upholstery



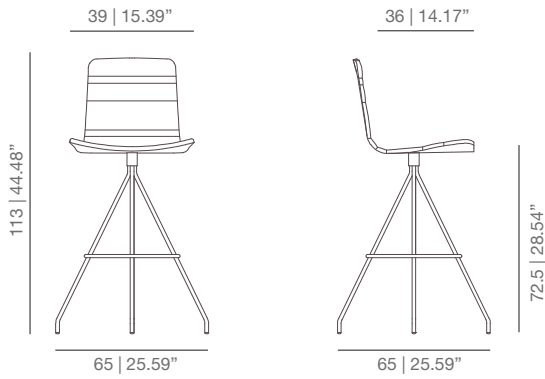
KL4PUB casters base lines upholstery



KLBRB

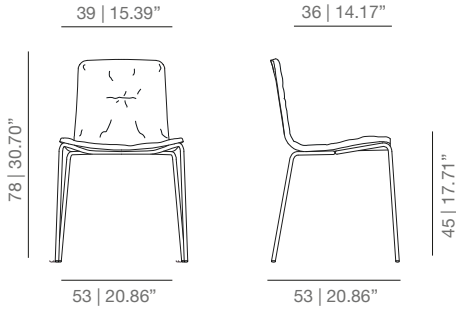


KLTB swivel stool base lines upholstery

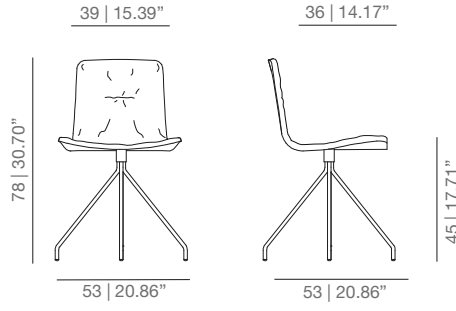


SOFT UPHOLSTERY

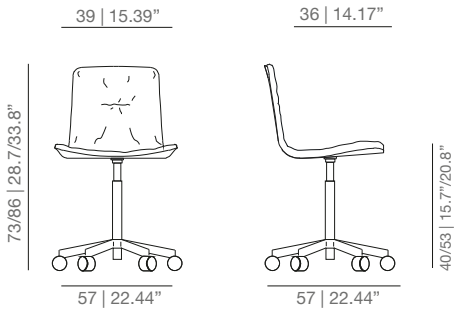
KL4P four legs base soft upholstery



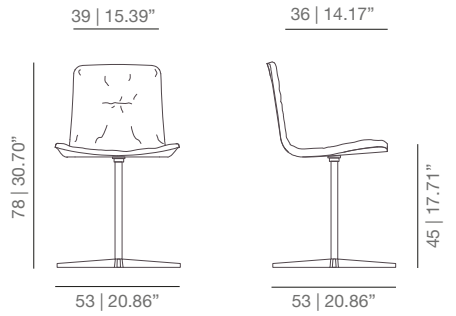
KLGTS swivel base soft upholstery



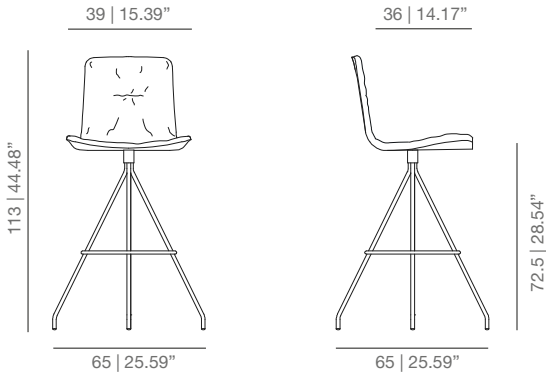
KLBRTS casters base soft upholstery



KLBRTS four star base soft upholstery

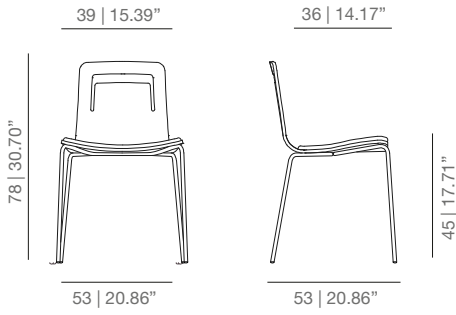


KLTS swivel stool base soft upholstery

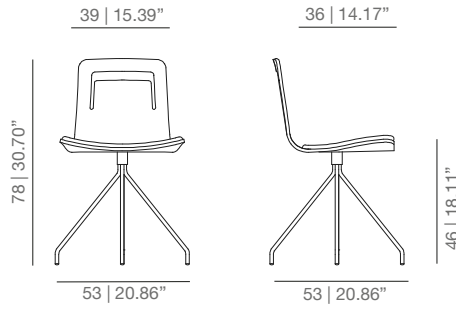


STAINED / LACQUERED WITH CUSHION AND HANDLE

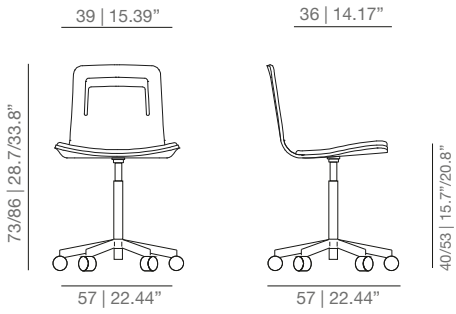
KL4P_CR four legs base with cushion and handle



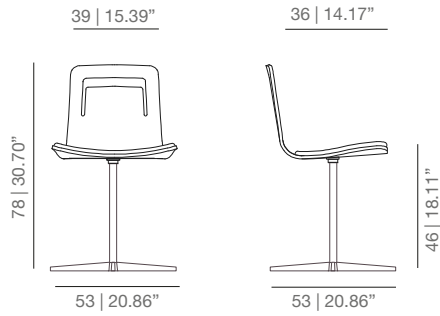
KLG_CR swivel base with cushion and handle



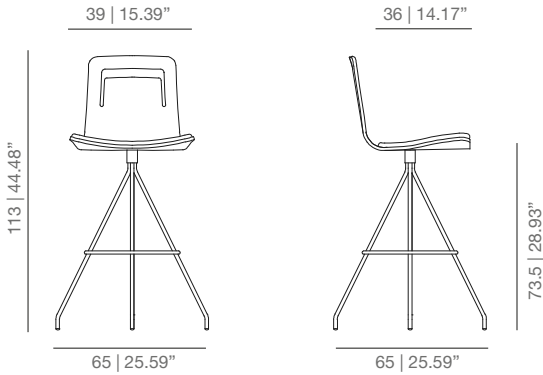
KL4PU_CR casters base with cushion and handle



KLBR_CR four star base with cushion and handle

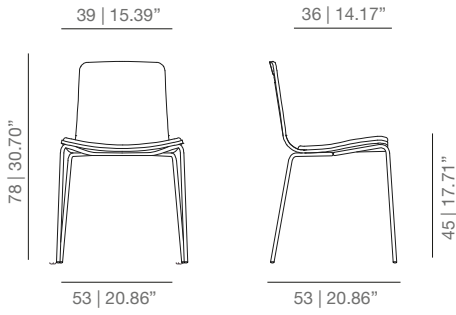


KLТ_CR swivel stool base with cushion and handle

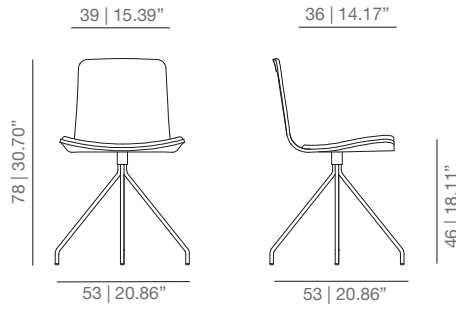


STAINED / LAQUERED WITH CUSHION

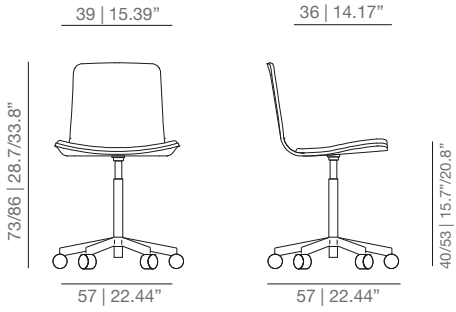
KL4P_C four legs base with cushion



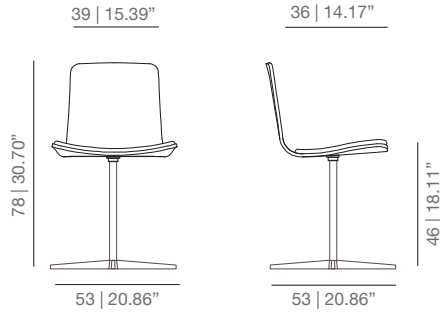
KLG_C swivel base with cushion



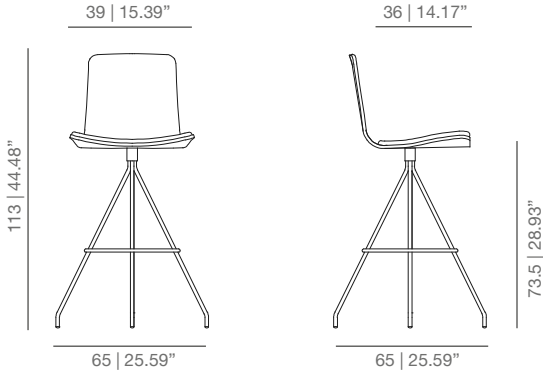
KL4PU_C casters base with cushion



KLBR_C four star base with cushion



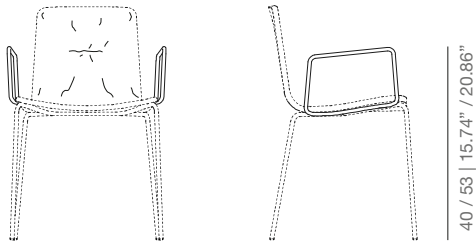
KLT_C swivel stool base with cushion



ACCESSORIES

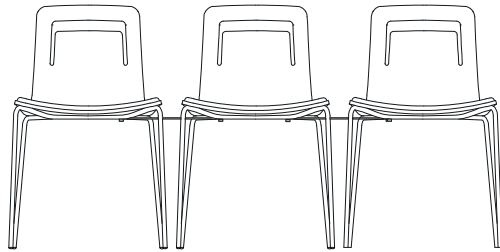
KLBR arms

Calibrated steel arms powder coated in thermoreinforced polyester. Available for all types of bases.



KLUN linking device for units

Linking device for chairs with four legs base.
Finish black.



KLCO stacking protection pad

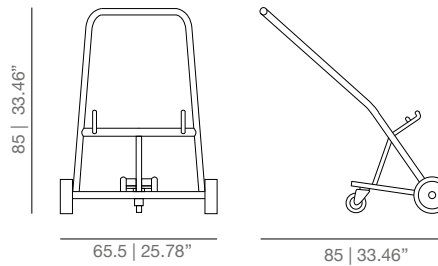
Polyethylene protective cover to use when stacking upholstered chairs.
Stackable up to 4 units.
Don't stack for long time as upholstered can be marked and damage.



KLCT trolley

Available to transport chairs with four legs base. Trolley lacquered in black.

The transport is possible for a maximum of 10 chairs simultaneously for models of plywood natural oak stained or lacquered and 4 chairs for upholstered models.



TECHNICAL INFO

A plywood oak chair lacquered or stained with the finishes of our collection. The seat could be in wood finish, with an upholstered cushion or fully upholstered in soft, smooth or stripe version.

Different options for the structure:

FOUR LEGS: Calibrated steel structure lacquered in thermoreinforced polyester. Stackable up to 10 chairs for non-upholstered version or stackable up to 4 chairs for upholstered versions.

SWIVEL BASE: Calibrated steel structure lacquered in thermoreinforced polyester.

CASTERS BASE: Aluminum swivel base lacquered in white or black, height adjustment system and soft casters.

SWIVEL STOOL: Calibrated steel structure lacquered in thermoreinforced polyester and footrest in stainless steel.

FOUR STAR BASE: Calibrated steel structure powder coated in thermoreinforced polyester. Four star aluminium base.

Calibrated steel arms lacquered in thermosetting polyester.

FINISHES

SEAT

Lacquered



White
RAL 9003



Black
RAL 9005



Grey
RAL 9006



Sand
NCS 3005Y50R



Tobacco
RAL 8028



Smoke grey
RAL 1019



Silver
RAL 9006



Red
RAL 3001



Moustart
RAL 1012



Green
RAL 6007



Blue
RAL 5024



Bronze

Stained



Matt
oak



Wenge



Cognac



Ash

BASE | ARMS

Lacquered



White
RAL 9003



Black
RAL 9005



Altea blue
RAL 5000



Sand
NCS 3005Y50R



Fluorescent Orange
RAL 2005

CERTIFICATES

UNE EN 16139:13

ANSI BIFMA X5.1-2011 (four legs base),

KLIP stool

Seat and back static load test | Vertical static load on back.

Foot rest and leg rest static load test | Seat and back durability test.

Seat front edge durability test | Foot rest durability test.

Seat impact test | Backard fall test.





PROJECTS

AA Residence | Progetti | L'Antic Colonial Showroom | Willy Ramos Art Studio | Auditorio y Palacio de Congresos de Castellón