

# HAMPTONS COLLECTION

SKU:VOMOOM-701-HAMPTONS

Products / Lounge Chairs / Hamptons Lounge Chair

## Hamptons lounge chair

by Ramón Esteve

Hamptons, the **new collection of designer outdoor furniture** consists of a set of pieces where a careful selection of fabrics and patterns evoke that “lifestyle” where elegance is perceived in the finest details.

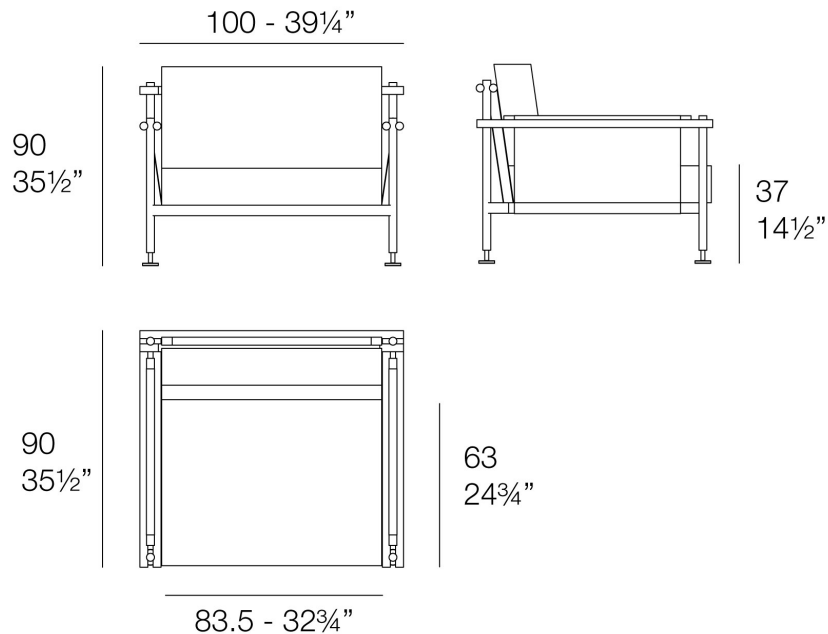


## Description

Ramón Esteve has designed an elegant lounge chair with a solid aluminium structure, teak details and polished aluminium legs. Its upholstery, designed for outdoor use, combines weather resistance with the comfort of an indoor fabric.

Available in a varied colour palette, it is versatile to suit both outdoor and indoor spaces.

Weight: 21.63 Kg



HAMPTONS Butaca  
HAMPTONS Lounge Chair

## Hamptons sofa modular

by Ramón Esteve

Hamptons, the **new collection of designer outdoor furniture** consists of a set of pieces where a careful selection of fabrics and patterns evoke that “lifestyle” where elegance is perceived in the finest details.

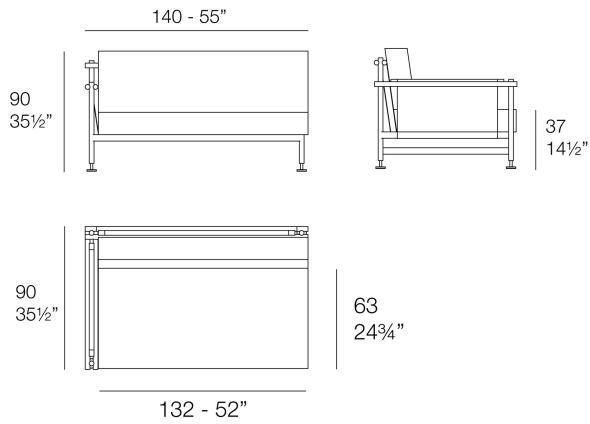


## Description

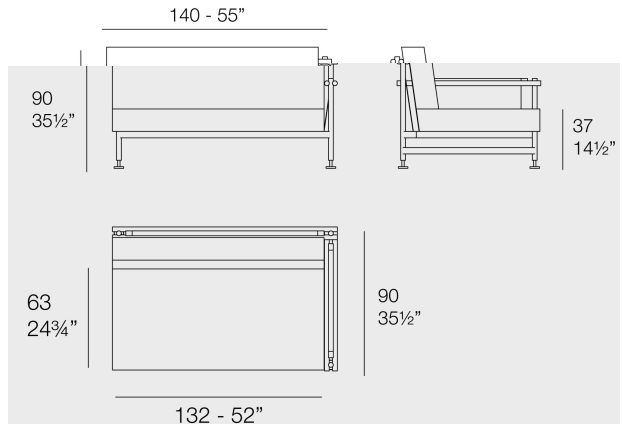
Ramón Esteve has designed an elegant modular sofa with a solid aluminium structure, teak details and polished aluminium legs. Its upholstery, devised for outdoor use,

combines weather resistance with the comfort of an indoor fabric. Available in a varied colour palette, it is versatile to suit both outdoor and indoor spaces.

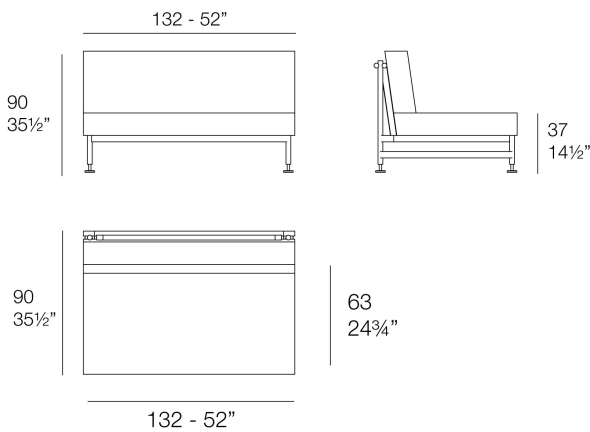
## Modules



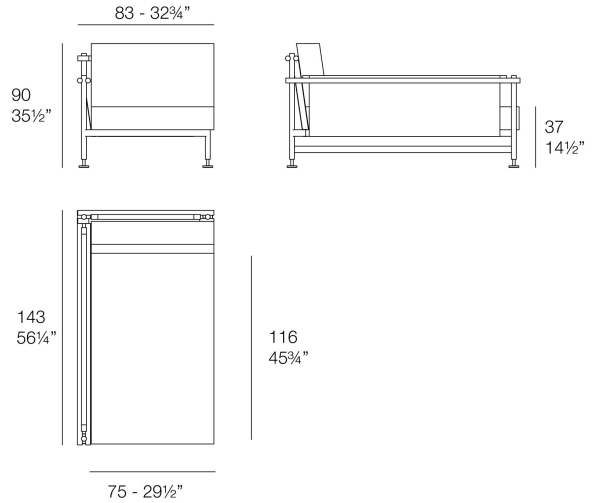
HAMPTONS Módulo Derecho  
HAMPTONS Right Section



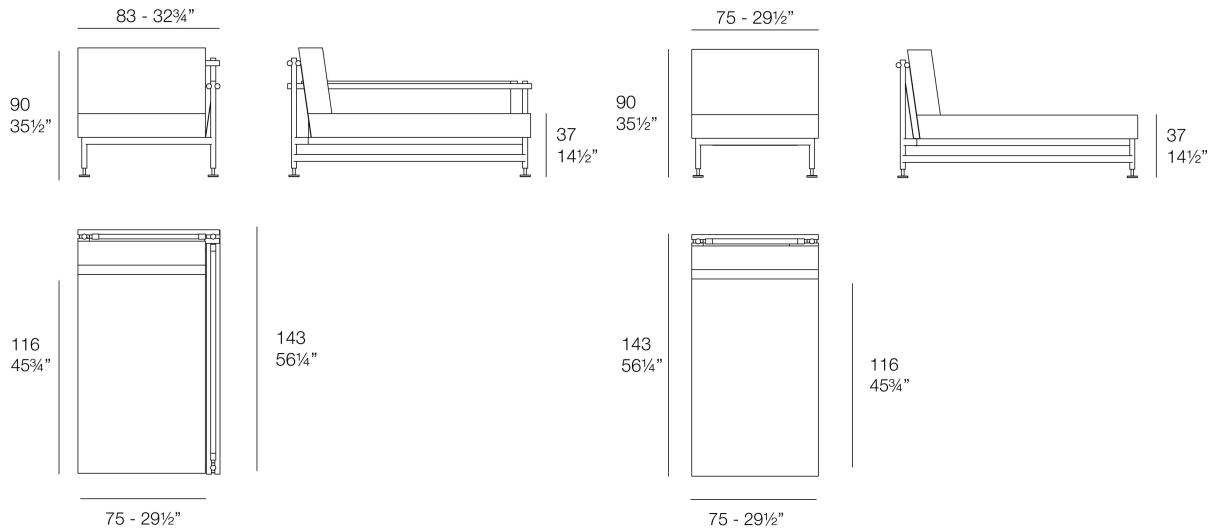
HAMPTONS Módulo Izquierdo  
HAMPTONS Left Section



HAMPTONS Módulo Central  
HAMPTONS Armless Section

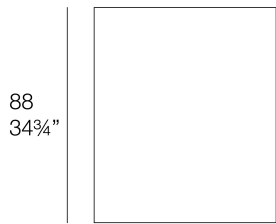
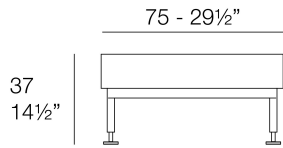


HAMPTONS Chaiselongue Módulo Derecho  
HAMPTONS Chaiselongue Right Section



HAMPTONS Chaiselongue Módulo Izquierdo  
HAMPTONS Chaiselongue Left Section

HAMPTONS Chaiselongue Módulo Central  
HAMPTONS Chaiselongue Armless Section



HAMPTONS Puff  
HAMPTONS Puff

## Hamptons sun lounger

by Ramón Esteve

Hamptons, the **new collection of designer outdoor furniture** consists of a set of pieces where a careful selection of fabrics and patterns evoke that “lifestyle” where elegance is perceived in the finest details.

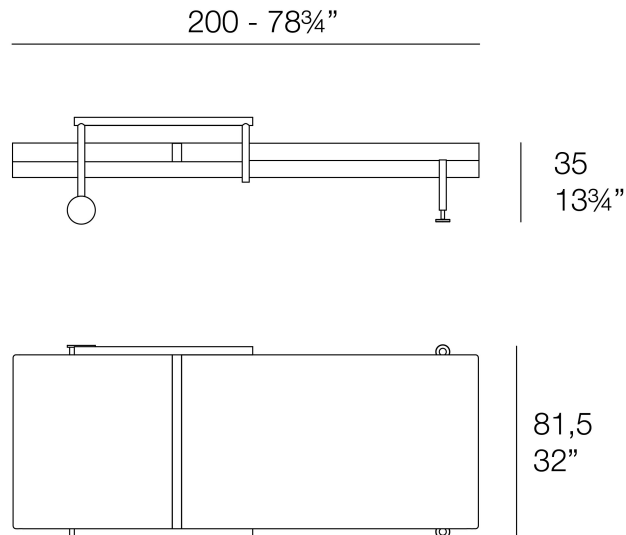


## Description

The Hamptons sun lounger features a sturdy aluminium frame, ensuring durability and strength. The armrests are carefully crafted from teak, adding a touch of elegance and warmth to the design.

In addition, this lounger is equipped with polished aluminium legs and castors, making it easy to move and adjust in different environments. A perfect balance between functionality and style to enjoy the outdoors in comfort and sophistication.

Weight: 50.19 Kg



HAMPTONS Tumbona  
HAMPTONS Sun Lounger



## Hamptons low tables

by Ramón Esteve

Hamptons, the **new collection of designer outdoor furniture** consists of a set of pieces where a careful selection of fabrics and patterns evoke that “lifestyle” where elegance is perceived in the finest details.

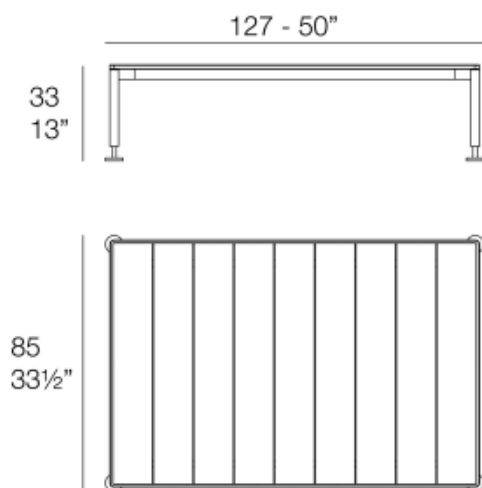


## Description

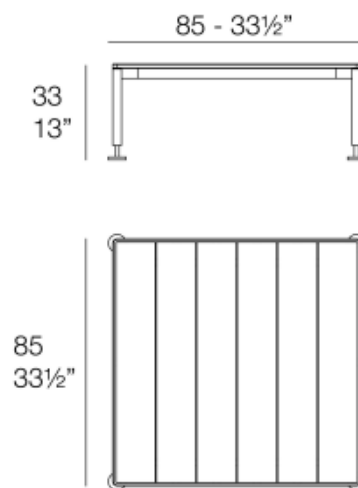
The low table in the collection stands out for its aluminium structure, which makes it lightweight and sturdy, ideal for outdoor use. The surface is made of HPL sheets, a durable and easy to maintain material.

The polished aluminium legs add a touch of elegance and shine. Available in a wide variety of colours for both the aluminium frame and the HPL surface.

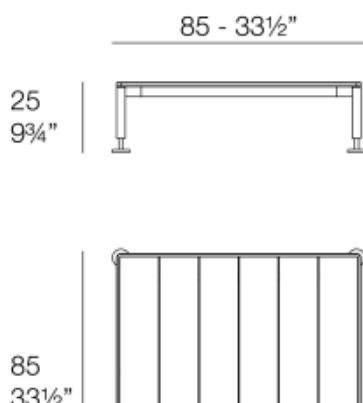
Weight: 34.74 Kg



Weight: 31.91 Kg



Weight: 27.87 Kg



Weight: 21.86 Kg

