

FOXPro

FoxPro is new, a real innovation in the world of operational seating. The lightness of its mesh structure and the roundness of its finishes define it and make it unbeatable. FoxPro adapts to its user in every respect, providing ergonomics and its own personality; it is efficiency personified in a chair.

MESH AND
UPHOLSTERED
BACKREST

STOOL VERSION

MADE IN THE
EUROPEAN UNION



01.

Backrest

With adjustable lumbar support.



Two options are available:

- Mesh backrest option: Structure in curved steel tube of 20 mm in diameter and 1.5 mm thick, painted in epoxy white (RAL 9010) or black (RAL 9005). Backrest in double nylon acrylic mesh.

- Upholstered backrest option: Interior manufactured with recycled wood panel covered with high density [hard] polyurethane flexible foam of 50 kg/m³ (EN ISO 845 / BS 5852/10).

02.

Seat

Seat exterior in black injected polypropylene, 100% recyclable. Beech plywood interior (MQ cert. 07-175) with 30 kg/m³ of soft high density polyurethane foam [hard] (EN ISO 845 / BS 5852/10).

(Optional): Fireproof foam (UNE EN 1021-2/06 / BS-5852/06) of high density expanded polyurethane 60 kg/m³ (EN ISO 845).

03.

Synchro-displacement mechanism / synchro

The synchro mechanism allows the seat and backrest to tilt synchronously with the central axis of the chair, but independently for models that are not monocoque. Thus, it is possible to adjust the degree of inclination of the backrest and seat.

The Synchro transla mechanism is also equipped with a seat slider offering 5 different positions to adapt the depth of the sitting position and a movement of 6 cm.

It has the following characteristics:

- 5 locking positions with anti-backward function.
- Pressure regulator.



04.

Gas column, bases and wheels

- Lifting using a class 3 black gas column (UNI 9084/02), tested for users weighing up to 120 kg.

- Polished aluminum base 64 cm diameter.

- Black nylon base of 64 cm diameter.

- Desmopan double rubberized 50 mm diameter wheels (LGA QualiTest certification) with black cover.

The base connection bolt has a circular nylon ring to prevent noise when used on metal or aluminum bases.

- Optional: Anti-slip gliders in black nylon.



05.

Armrests (optional)



- BR02/BR23: Height adjustable, black or white polypropylene injection molded. Black polyurethane injection molded armrests.

1. Height adjustment 11 cm, with 10 locking positions.



BR05/BR06 : Height adjustable, black or white polypropylene injection molded. Polyamide armrests.

1. Height adjustable by 8 cm, with 9 locking positions.



BR26: 2D, in injected black polypropylene. Polyamide armrests.

1. Height adjustable by 8 cm, with 9 locking positions.
2. Width adjustment between the armrests, up to 3 cm in each direction.



-BR03: 3D, black polypropylene injection. Armrests in black polyurethane injection.

1. Height adjustment 11 cm, with 10 locking positions.
2. Multi-position adjustment of the armrest It can be slid 19 cm forward and backward, and 6 cm to the side, and can adopt any position between these measurements.



-BR04: 4D, black polypropylene injection. Polyurethane armrests.

1. Height adjustment 7 cm, with 6 locking positions.
2. Armrest depth adjustment, 3 cm in each direction.
3. Rotation of the armrest, 30° maximum in each direction.
4. width adjustment between the armrests, up to 3 cm in each direction.



06.

Mesh

Characteristics of the double acrylic nylon mesh:

Fabric weight 285 g/m²
Thickness 0.7 mm
Warp tensile strength 107 kg
Tensile strength of 135 kg
Warp thread density 8.6
Weft thread density 9.5



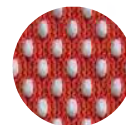
01 / White



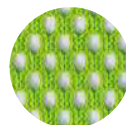
02 / Black



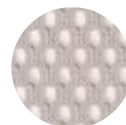
09 / Purple



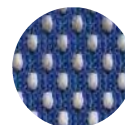
18 / Red



20 / Green



22 / Grey



27 / Sea blue

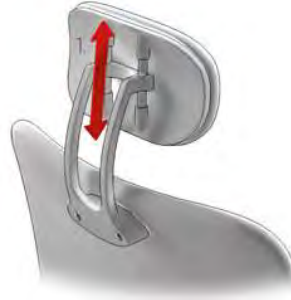
FOXPro SWIVEL CHAIR (ACCESSORIES)

06.

Headrest (Optional)

Exterior of headrest in black injection-moulded polypropylene, 100% recyclable.
Headrests in flexible high density polyurethane foam (hard) of 25 kg/m³ (EN ISO 845 / BS 5852/10).

1. Height adjustment.



VERY IMPORTANT!

The headrest cannot be mounted once the chair is delivered, the anchoring of the headrest to the backrest is done at the factory.



08.

Stool conversion kit

Available in four options:

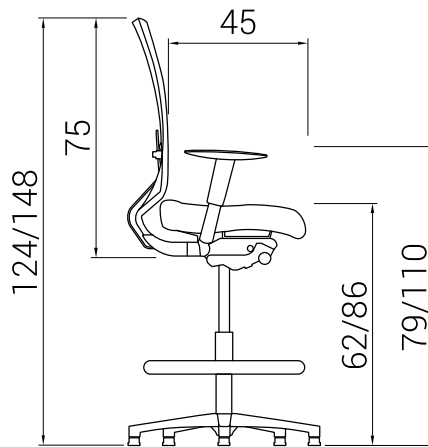
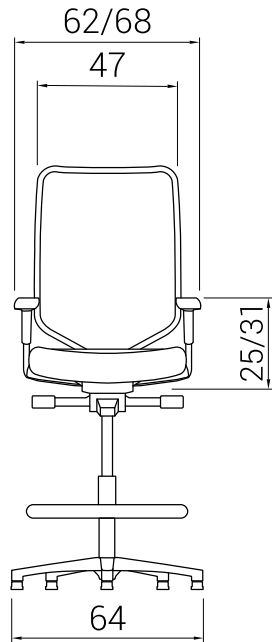
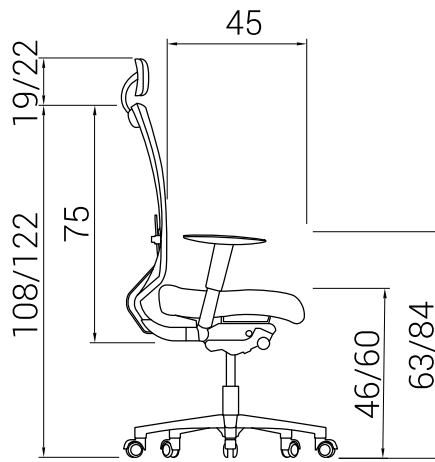
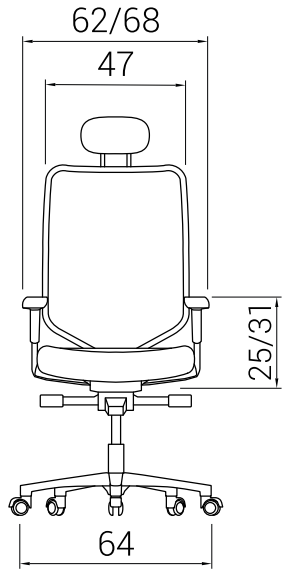
- Black gas column with chrome-plated steel footrest ring, adjustable in height and black nylon anti-slip gliders.
- Black gas column with chrome-plated steel footrest ring, adjustable in height and double rubberized wheels in Desmopan of 50 mm diameter.
- Black gas column with black nylon footrest ring, adjustable in height and black nylon anti-slip gliders.
- Black gas column with black nylon footrest ring, adjustable in height and double rubberized nylon wheels in Desmopan of 50 mm diameter.

09.

Coat rack (optional)

Hanger anchored to the headrest in steel tube of 6 mm in diameter with chrome plating of 12 to 15 microns thick. It can only be mounted if FoxPro has a headrest.





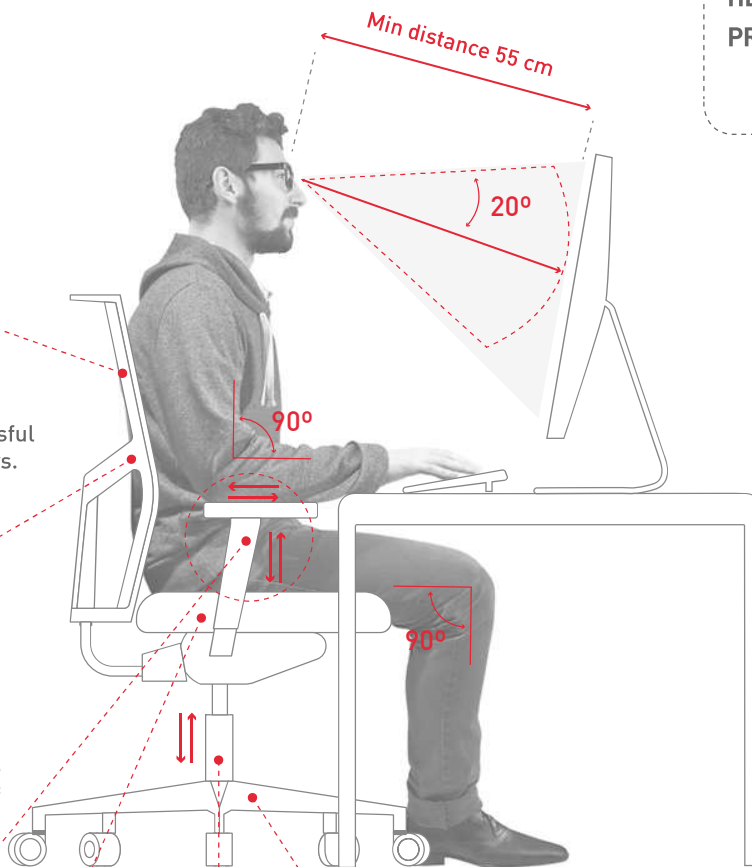
GOOD POSTURE IS ESSENTIAL TO AVOID HEALTH PROBLEMS

01.
THE INCLINATION OF THE SEAT AND THE BACKREST
 A synchronized movement of the seat and backrest, configure a very successful solution for long working or study days.

02.
LUMBAR ADJUSTMENT
 The backrest must provide good support for the entire back and be adapted to the lumbar part. The lumbar adjustment mechanism allows the curvature of the chair to be adjusted according to the curvature of the user's back for better support.

03.
ADJUSTABLE ARMRESTS
 The forearms should be parallel to the work surface and form a right angle with the arm.

04.
THE STRENGTH OF THE SEAT
 The seat must offer firmness and adaptation to the user's physiognomy.



05.
CHAIR HEIGHT ADJUSTMENT
 The possibility of adjusting the height allows for the correct posture, with the feet comfortably resting on the floor and the legs in a horizontal position.

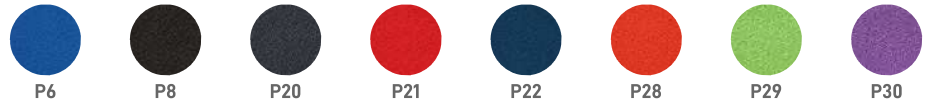
07.
FABRIC
 Depending on the area of use and climate, one fabric or another should be chosen.

06.
BASES
 The base of the chair should have 5 points of support for the wheels on the ground, to facilitate their movement with minimal effort.

“Don't forget to take a break to stretch and move around regularly”

01

BALI (Go1)



02

POLYESTER (Go1)



03

GOYA (Go1)



04

TOUCH LEATHER (Go1)



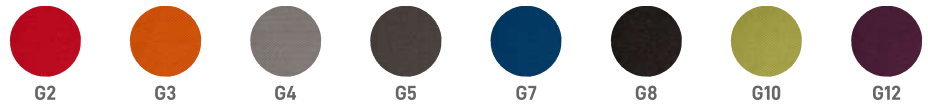
05

COMBI (Go1)



06

OCEAN (Go2)



07

ELASTIKA FR (Go2)



08

ORUGA (Go2)



09

NILO (Go2)



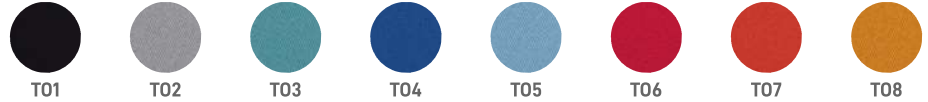
10

MADISON (Go2)



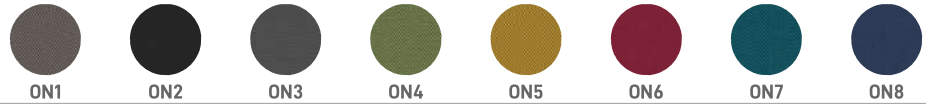
11

TONAL (Go2)



12

ONE (Go2)



13

VALENCIA (Go3)



14

DEKORA (Go3)



15

FELICITY (Go3)



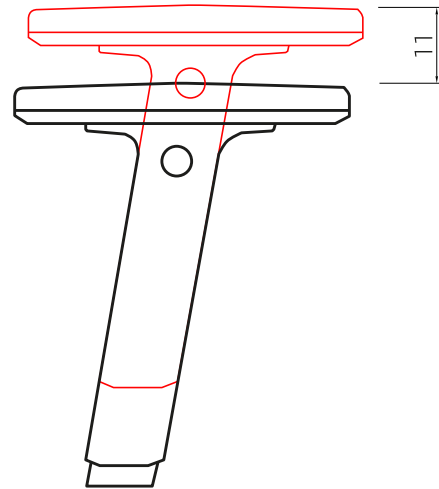
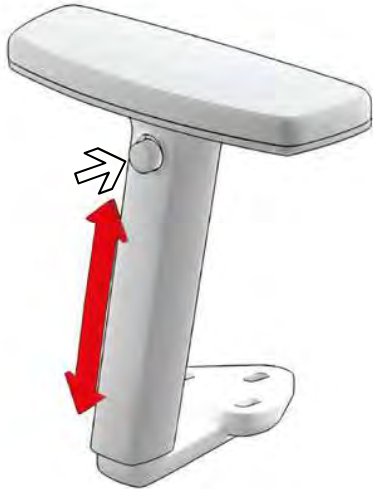
16

LEATHER (Go4)



1. Arms

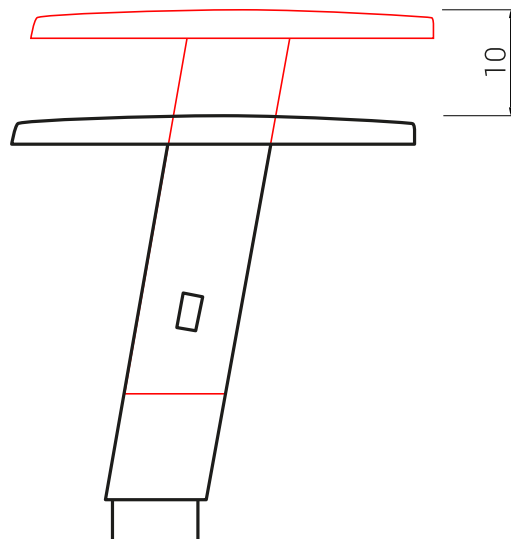
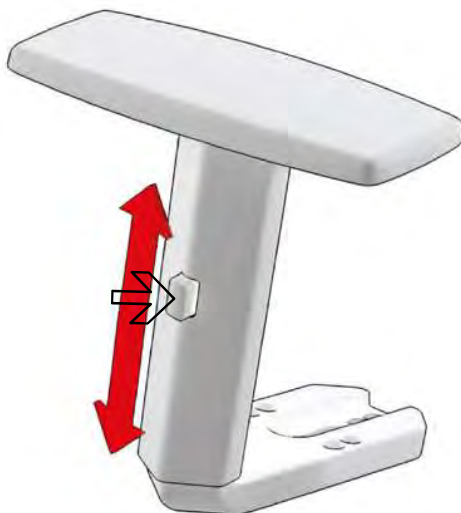
BR02/BR23



HEIGHT ADJUSTMENT

Press the button on the armrest (arrow) and without releasing it, adjust the height of the armrest. Once in the desired position, release the button.

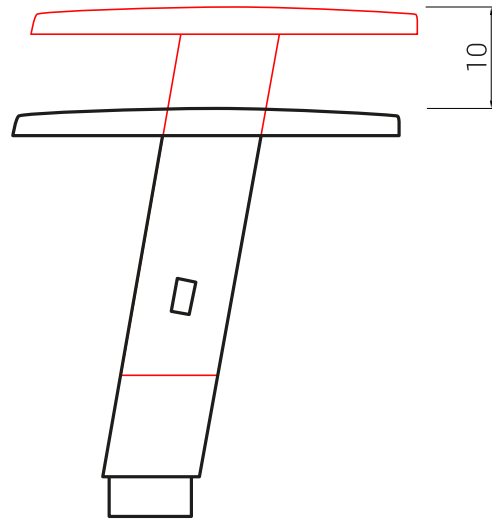
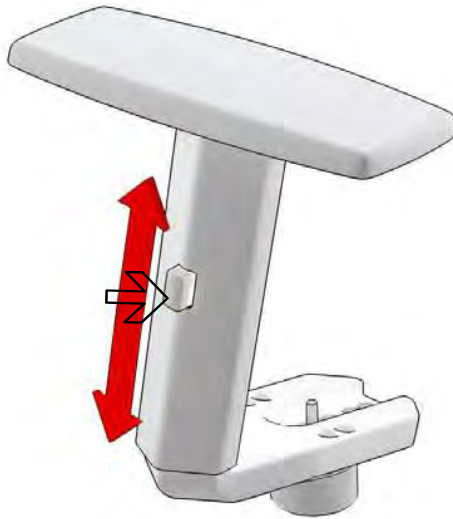
BR05/BR06



HEIGHT ADJUSTMENT

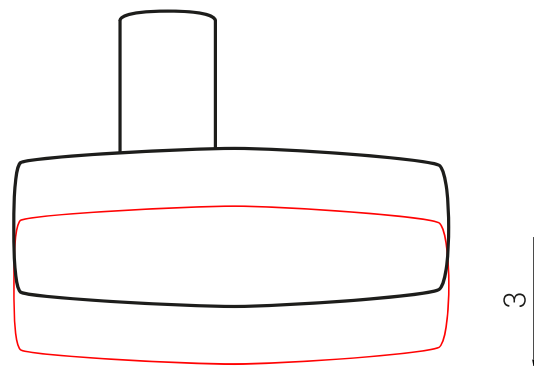
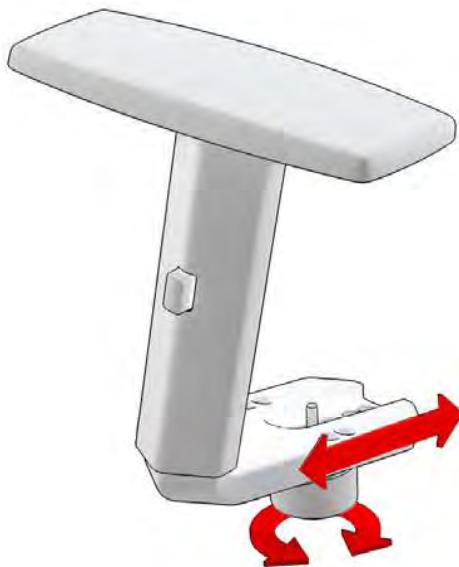
Press the button on the armrest (arrow) and without releasing it, adjust the height of the armrest. Once in the desired position, release the button.

BR26



HEIGHT ADJUSTMENT

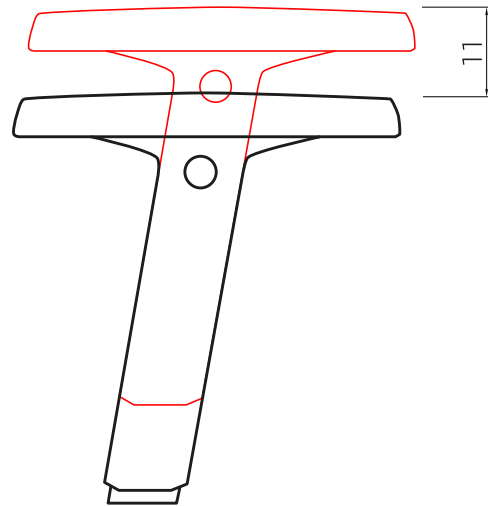
Press the button on the armrest (arrow) and without releasing it, adjust the height of the armrest. Once in the desired position, release the button.



ARMREST WIDTH ADJUSTMENT

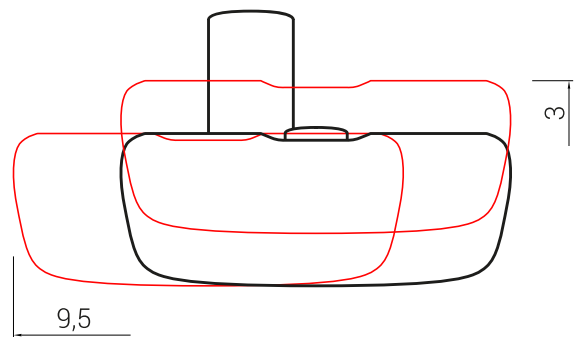
Loosen the screw on the armrest. Move the armrest to the desired position. Tighten the lower screw.

BR03



ADJUSTING THE HEIGHT

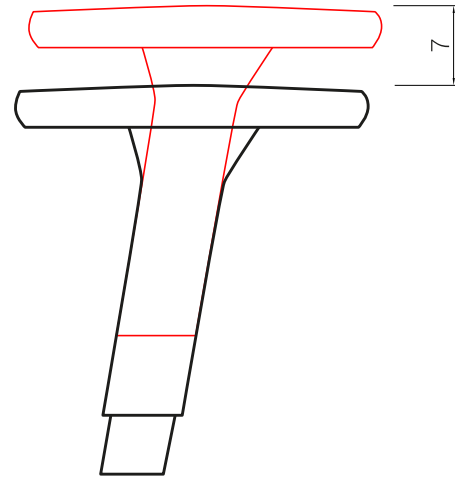
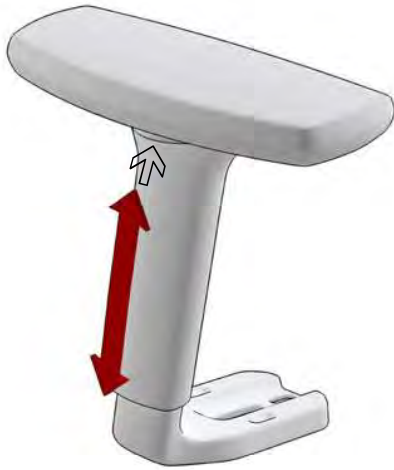
Press the button on the armrest (arrow) and without releasing it, adjust the height of the armrest. Once in the desired position, release the button.



MULTI-POSITION ADJUSTMENT

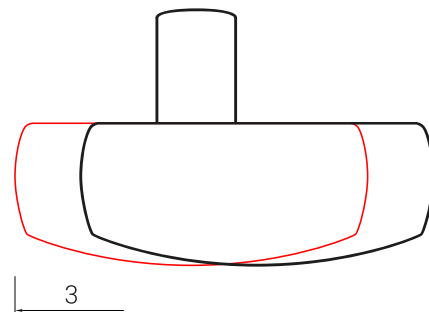
Press the armrest button (arrow) and, without releasing it, adjust the position of the armrest both lengthwise and widthwise. Once in the desired position, release the button. It moves in each direction by 9.5 cm lengthwise and 3 cm widthwise.

BR04



HEIGHT ADJUSTMENT

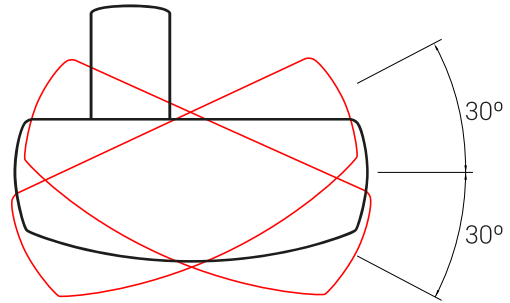
Press the button on the armrest (arrow) and without releasing it, adjust the height of the armrest. Once in the desired position, release the button.



ADJUSTING THE DEPTH OF THE ARMREST

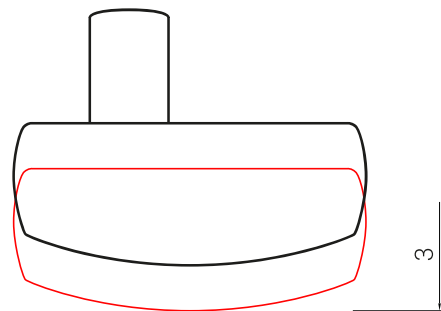
By pressing firmly on the armrest, the armrest is pushed forward or backward to the desired position. It moves 3 cm in each direction.

BR04



ARMREST ROTATION

By pressing firmly on the armrest, a force is produced by turning the armrest inward or outward until it is in the desired position.



ARMREST WIDTH ADJUSTMENT

Loosen the screw on the armrest. Move the armrest to the desired position. Tighten the lower screw.

2. Mechanism

SYNCHRO-SLIDE MECHANISM



GAS LIFT

By lifting the handle we unlock the gas column. Without weight the chair lifts up. With the user seated, the chair goes down. Once the handle is released, the gas column is blocked again.



BACKREST PRESSURE ADJUSTMENT

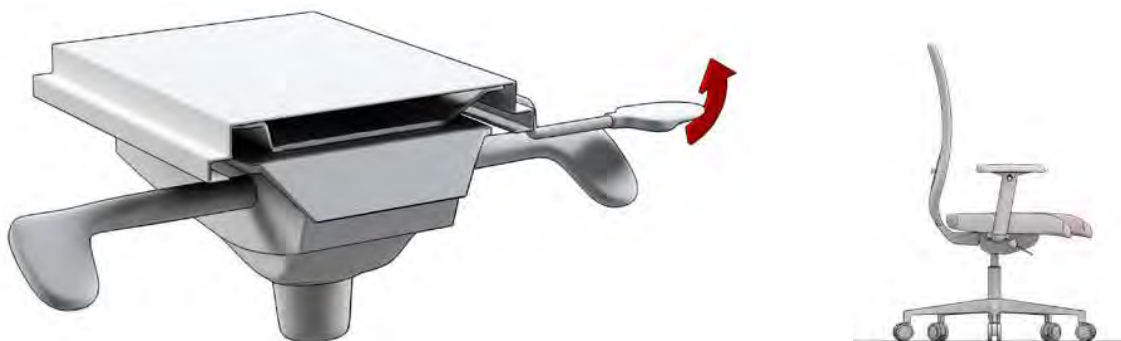
On the lower part of the mechanism, there is a button to adjust the tension, depending on the weight of the user. By turning the button clockwise, we make the backrest more resistant to the weight of the back. By turning the button counter-clockwise, we make the backrest less resistant to the weight of the back.

SYNCHRO-SLIDE MECHANISM



ADJUSTMENT FOR SEAT/BACKREST INCLINATION (SYNCHRO)

Lifting the lever releases the synchronization mechanism, which allows the user to change the angle of inclination of the seat and backrest synchronously when seated. By moving the lever to the lowered position, the backrest is locked in the desired position. To unlock it, lift the lever and apply weight with your back.



SEAT SLIDE ADJUSTMENT (SLIDING SYSTEM)

By lifting the lever, and keeping it raised, we release the seat, being able to move it forward or backward. Once in the desired position, we release the lever, leaving the seat blocked.

SYNCHRO MECHANISM



GAS LIFT

By lifting the handle we unlock the gas column. Without weight the chair lifts up. With the user seated, the chair goes down. Once the handle is released, the gas column is blocked again.



BACKREST PRESSURE ADJUSTMENT

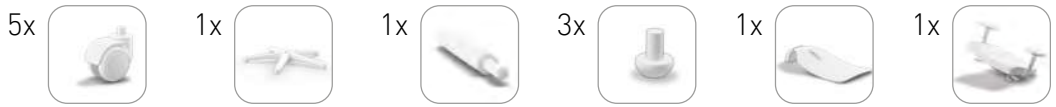
On the lower part of the mechanism, there is a button to adjust the tension, depending on the weight of the user. By turning the button clockwise, we make the backrest more resistant to the weight of the back. By turning the button counter-clockwise, we make the backrest less resistant to the weight of the back.



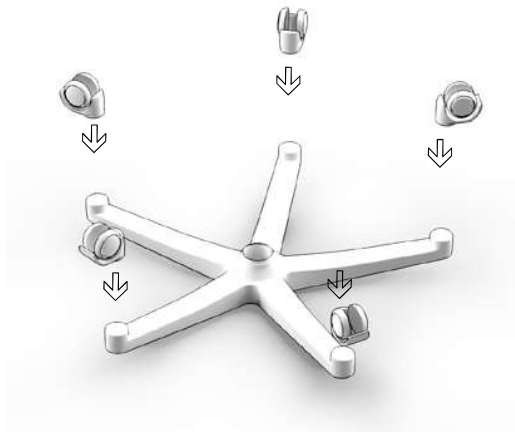
ADJUSTMENT FOR SEAT/BACKREST INCLINATION (SYNCHRO)

Lifting the lever releases the synchronization mechanism, which allows the user to change the angle of inclination of the seat and backrest synchronously when seated. By moving the lever to the lowered position, the backrest is locked in the desired position. To unlock it, lift the lever and apply weight with your back.

FOXPro ASSEMBLY INSTRUCTIONS



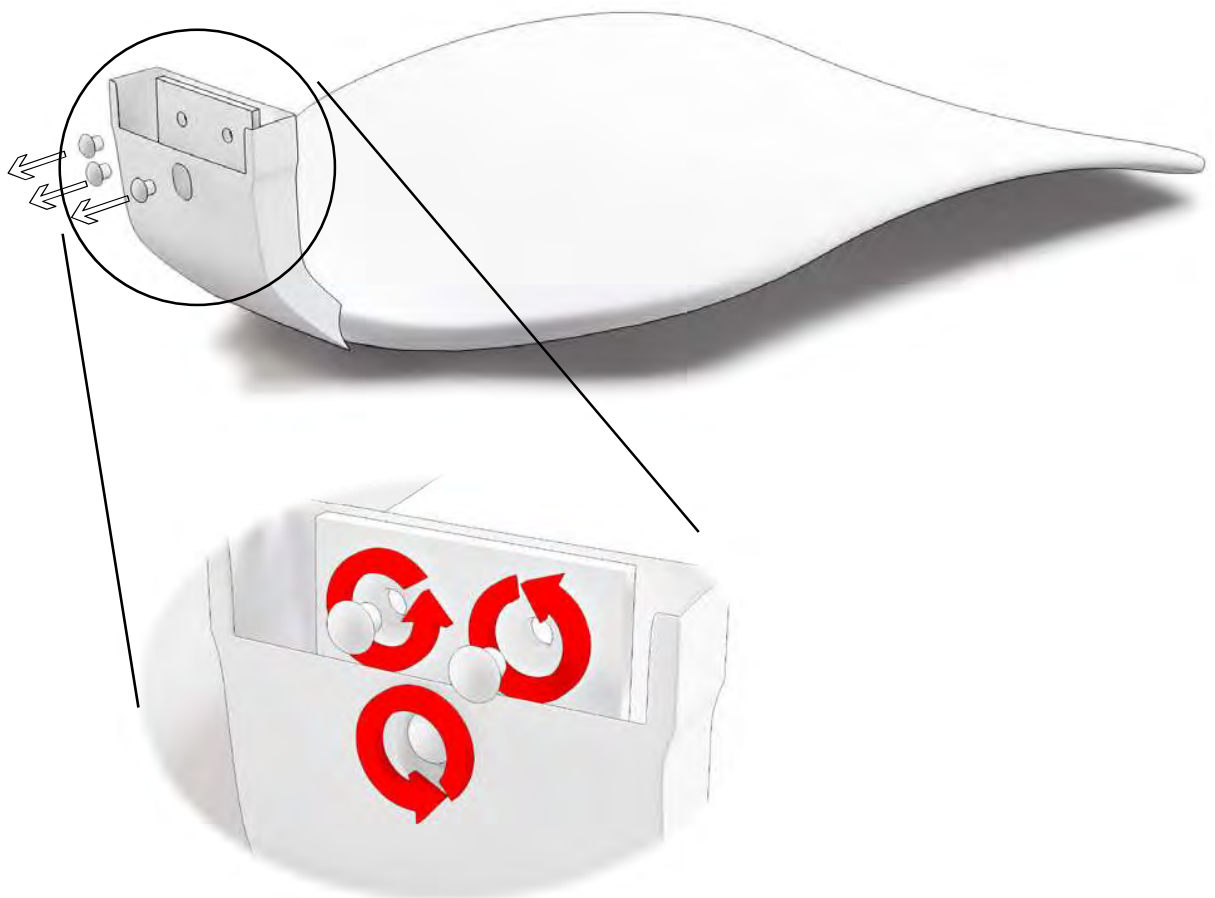
1.



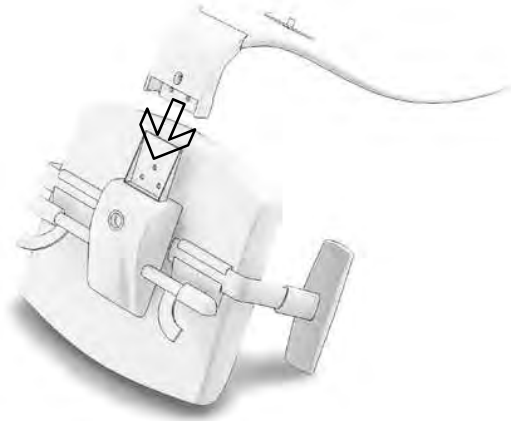
2.



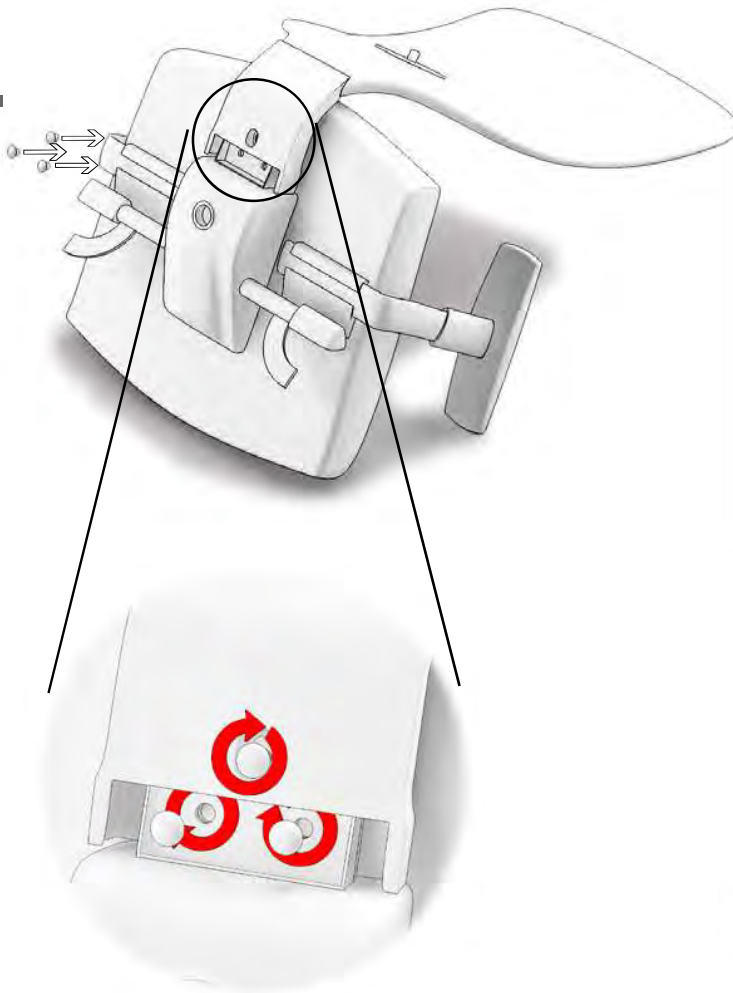
3.



4.



5.



6.

