

MONDO

The collection will be able to include the new electrification solution designed by Viccarbe's engineering team. A different way to hide the cables through one of the legs, with no visible joints or screws as it works by pressure. Now, with a simple gesture, users can hide any cable, keeping everything clutter-free.

Foro can also include a new powerbox model, that integrates and respects the design of the table. A practical technical complement that does not interfere with its balanced design.



Foro table



Foro table 140x140 cm /
55.11x55.11"



Foro table 160x160 cm /
62.99x62.99"



Foro table 200x100 cm /
78.74x39.37"



Foro table 200x120 cm /
78.74x47.24"



Foro table 240x100 cm /
94.48x39.37"



Foro table 240x120 cm /
94.48x47.24"

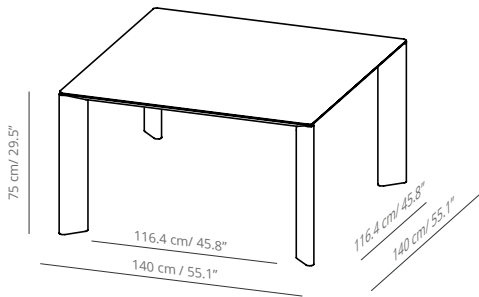
Connectivity



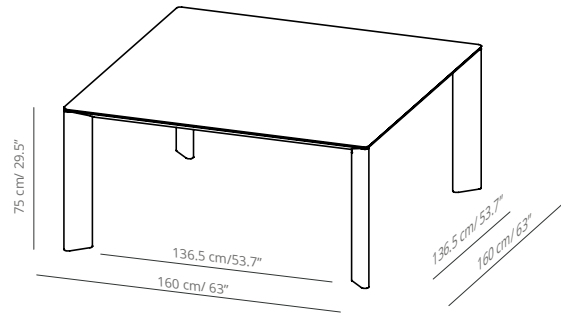
- 2. Powerbox
- 5. Wire management leg

HEIGHT 74 | HEIGHT 29½"

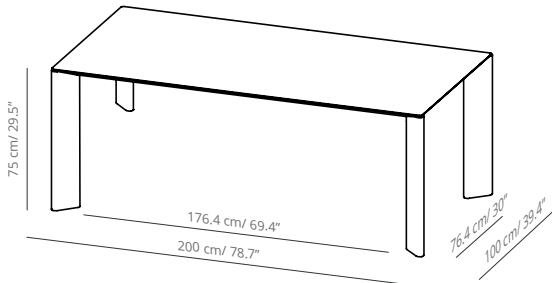
SKU:VIMOB-601-FO140RO
table 140x140 cm | 55.1x55.1"



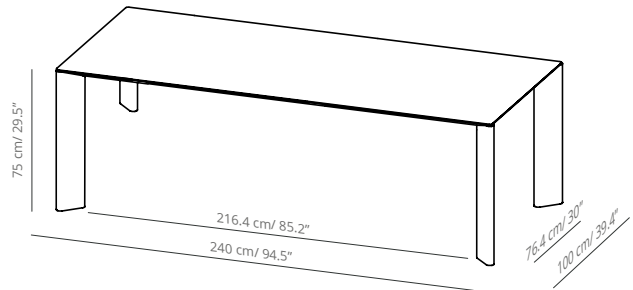
SKU:VIMOB-601-FO160RO
table 160x160 cm | 63x63"



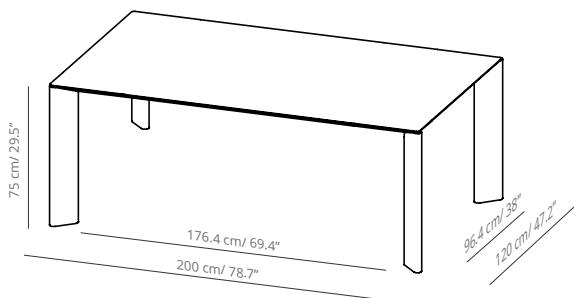
SKU:VIMOB-601-FO200RO
table 200x100 cm | 78.7x39.4"



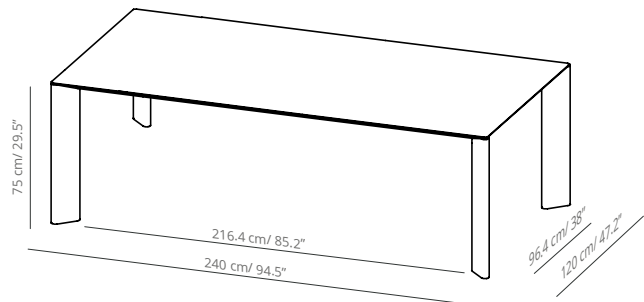
SKU:VIMOB-601-FO240RO
table 240x100 cm | 94.5x39.4"



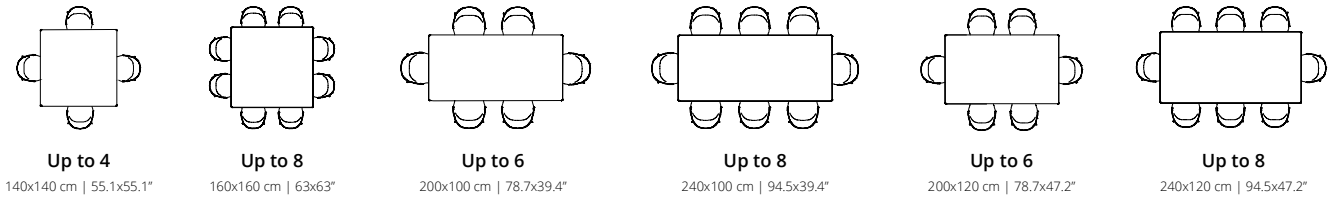
SKU:VIMOB-601-FO200ARO
table 200x120 cm | 78.7x47.2"



SKU:VIMOB-601-FO240ARO
table 240x120 cm | 94.5x47.2"

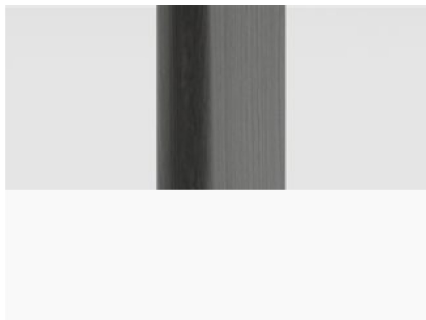


SEATING CAPACITY

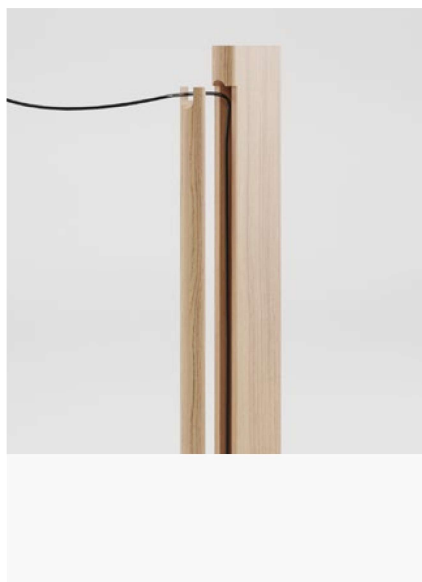


**Seats calculated using Aleta chair, might differ when choosing other models*

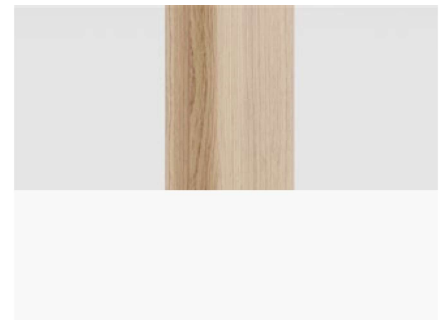
LEG OPTIONS



Stained solid wood - Wire management.
Management leg to discreetly conduct wires from the top of the table to the floor. Made in solid european oak, stained in the same finish as the table. The code of the leg must be noted in the order (FOPR).



**Patented wire management system*

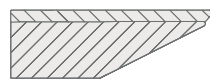


Stained solid wood - solid oak leg stained with the finishes of our collection.

TABLETOP MATERIALS

MDF - STAINED

12 mm MDF board with natural oak veneer, stained in matt oak, cognac or ash.



12 mm | 0,47"
60 mm | 2.36"



matt stained oak



bleached stained oak



cognac stained oak



ash stained oak



walnut stained oak

ACCESSORIES & ELECTRIFICATIONS



Hidden hatch set. Built-in wooden hatch, with the same material and finish as the table top. Can be opened from both sides. Dimensions: 32x15 cm | 12.59"x5.90"



Hatch with frame plus. Metallic hatch access to the lower part of the table for wooden table tops. Metal frame available in black or grey and central part in matching veneer. Does not include power options. Dimensions: 32x15 cm | 12.59"x5.90"



Hatch with frame. Metallic hatch access to the lower part of the table for wooden table tops. Same finish for frame and hatch, available in black, grey or white. Does not include power options. Dimensions: 32x15 cm | 12.59"x5.90"



Hatch with frame & powerbox. Metallic hatch with 4 sockets or combined with built-in multimedia devices. Metal frame and hatch are available in black or grey. Dimensions: 32x15 cm | 12.59"x5.90"



Hatch with frame plus & powerbox. Metallic hatch with 4 sockets or combined with built-in multimedia devices. Metal frame available in black or grey and central part in matching veneer. Dimensions: 32x15 cm | 12.59"x5.90"



Table top protector in eco leather. Dimension: 44x90 cm | 17.3"x35.4"