

FIESTA BAR

SKU:VOMOOM-701-FIESTA

Fiesta bar

The FIESTA bar is an ideal addition to outdoor terraces and contemporary design hotels. Featuring a sleek, curved, and circular design, this bar seamlessly blends style and functionality.

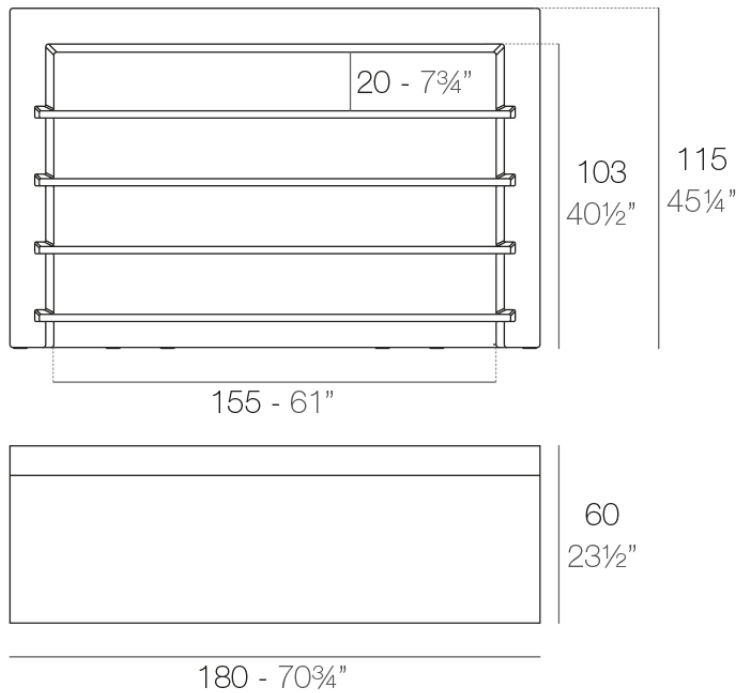


Info

Description

Made of polyethylene resin by rotational moulding. 100% Recyclable. Item suitable for indoor and outdoor use. Available in different finishes.

Weight: 54.2 Kg



FIESTA 180 Barra
FIESTA 180 Counter

Fiesta curved bar

by Archirivolto Design

The FIESTA bar is an ideal addition to outdoor terraces and contemporary design hotels. Featuring a sleek, curved, and circular design, this bar seamlessly blends style and functionality.

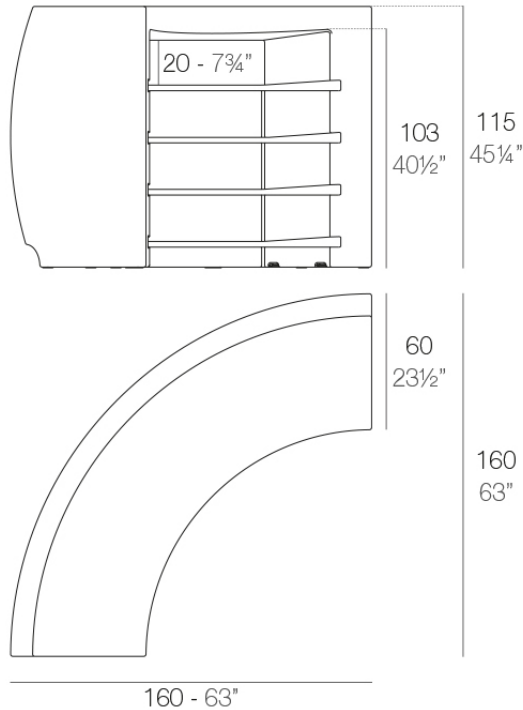


Info

Description

Made of polyethylene resin by rotational moulding. 100% Recyclable. Item suitable for indoor and outdoor use. Available in different finishes.

Weight: 60.2 Kg



FIESTA Barra curva
FIESTA Curved counter

Fiesta bar 120cm

by Archirivolto Design

FIESTA, a designer bar counter by **Archirivolto** for **VONDOM**: “design is beauty, harmony and freedom and cannot therefore be bound by strict, pre-established rules, nor can it only be seen as the privilege of social or cultural elite”.

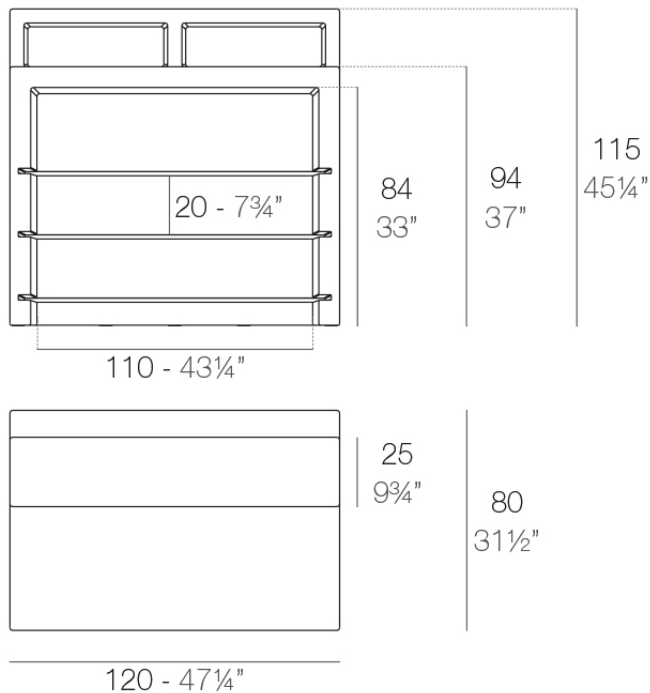


Info

Description

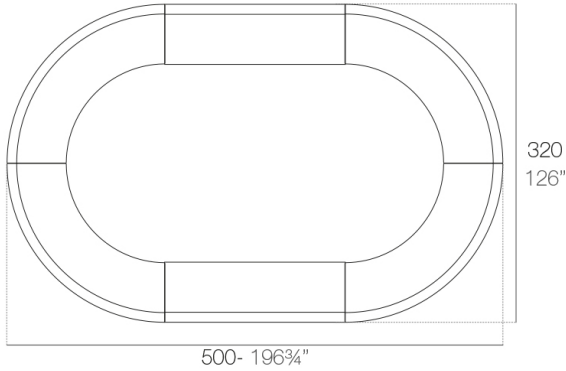
Made of polyethylene resin by rotational moulding. 100% Recyclable. Item suitable for indoor and outdoor use. Available in different finishes.

Weight: 80.61 Kg

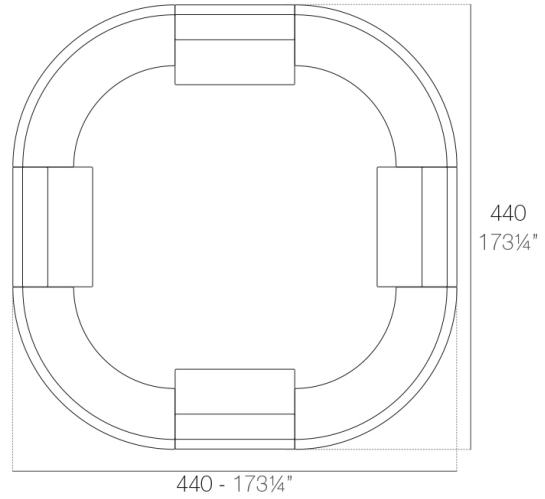


FIESTA 120 Barra
FIESTA 120 Counter

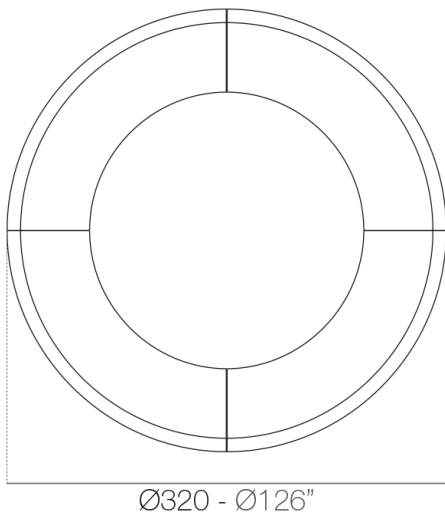
Combinations



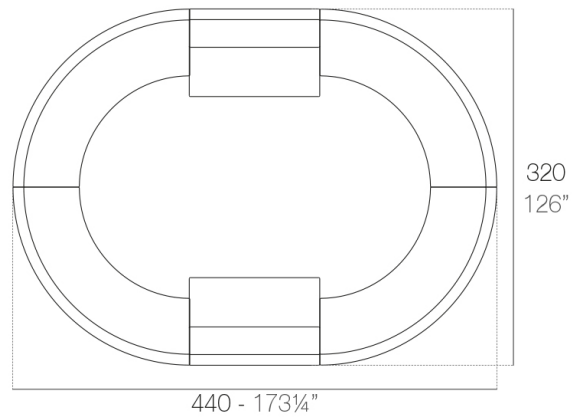
2 x 56001 180 Barra - 180 Counter
4 x 56002 Barra curva - Curved counter



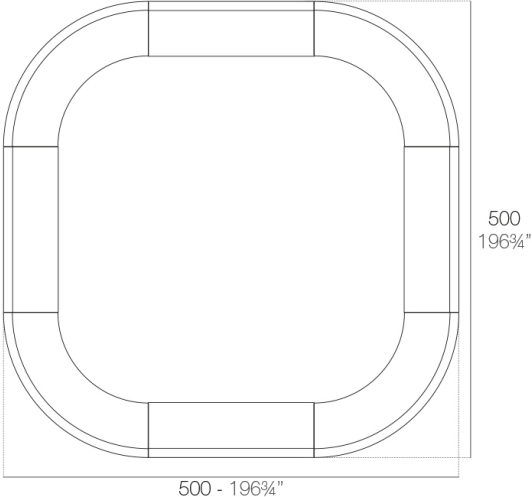
4 x 56023 120 Barra - 120 Counter
4 x 56002 Barra curva - Curved counter



4 x 56002 Barra curva - Curved counter



2 x 56023 120 Barra - 120 Counter
4 x 56002 Barra curva - Curved counter



4 x 56001 Barra - 180 Counter
4 x 56002 Barra curva - Curved counter

Accessories

- **BLUETOOTH**

Link your smartphone or tablet to the sound system via Bluetooth.

- **TOP**

HPL Solid Core Top

- **SHELVES**

- **WHEELS**

Includes castors for easy move