
















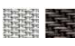


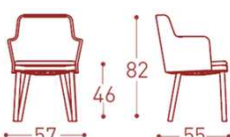




EMMA

design MONICA ARMANI

Collection of outdoor seats in polypropylene covered with acrylic fabrics. Legs and backrests are interchangeable and available in different materials: legs can be in aluminum or iroko wood, while backrests are made of an aluminum frame covered with Textyline, fabric or synthetic cord.



legs: IROKO ALUMINIUM		OUT <input checked="" type="checkbox"/> <input checked="" type="checkbox"/>	 lordo kg 10,3  collo m³ m³ 0,302				
backrest: TEXTURE VAR#ROPE FABRIC		OUT <input checked="" type="checkbox"/> <input checked="" type="checkbox"/> <input checked="" type="checkbox"/>		   			
seat: TEXTURE FABRIC		OUT <input checked="" type="checkbox"/> <input checked="" type="checkbox"/>	9450C IGSED				
cover: using instructions:							

STRUCTURAL COMPONENTS

ARMCHAIR WITH LEGS IN IROKO WOOD/ALUMINIUM, BACKREST AND SEAT IN TEXTURE/VAR#ROPE/FABRIC. SEAT WITH QUICK DRY POLYURETHANE PADDING IN SEVERAL DENSITIES + RESINATED POLYESTER FIBER. CUSHION COVER NOT REMOVABLE. CHARACTERISTICS OF THE COVERS ARE DESCRIBED IN THE VARASCHIN FOLDER "FABRICS".

INSTRUCTIONS FOR USING THE PRODUCT PROPERLY AND SAFELY

VARASCHIN IS NOT LIABLE FOR DAMAGE CAUSED BY IMPROPER USE. THE SAME APPLIES TO DAMAGE DERIVING FROM USE IN EXTREME WEATHER CONDITIONS OR LACK OF CARE. TIPS FOR EXTENDING LONGEVITY OF COMPONENTS: DURING THE WINTER STORE IN A DRY AND CLOSED PLACE TO AVOID CONDENSATION. DO NOT STEP ON WITH FEET. DO NOT SWING BACK AND FORTH ON THE LEGS. DO NOT SIT ON THE BACK OR ON ARMS DO NOT USE AS A LADDER. BUTTONS AND THE ZIPPERS OF CLOTHING MAY CAUSE DAMAGE TO THE MATERIALS. IF NECESSARY, PLEASE CONTACT VARASCHIN SPA. WOOD COLOUR CHANGES MAY OCCUR AFTER SOME TIME DUE TO EXPOSURE TO SUNLIGHT. THIS PRODUCT "FEARS" HEAT SOURCES AND TOO MUCH HUMIDITY, THEREFORE PAY ATTENTION WHERE YOU PLACE IT.

GENERAL INSTRUCTIONS FOR MAINTENANCE AND CLEANING

FOR DAILY CLEANING USE A DRY COTTON CLOTH. FOR MORE THOROUGH CLEANING USE ONLY A NEUTRAL PRODUCT DILUTED IN WARM WATER. NEVER USE ALCOHOL, AMMONIUM, THINNERS OR ABRASIVE PRODUCTS. IN MARINE ENVIRONMENTS ARTICLE SHOULD BE WEEKLY WHASED WITH FRESH WATER. WE WOULD ADVISE USING GOLDEN CARE PRODUCTS AS THEY ARE SPECIALLY DESIGNED FOR CLEANING METAL, GLASS AND SYNTHETIC FIBRES. FOR CLEANING AND TAKING CARE OF FABRICS, SEE THE VARASCHIN SPA "FABRICS" FOLDER. YOU CAN DOWNLOAD FROM OUR WEBSITE WWW.VARASCHIN.IT / "CARTELLA TESSUTI" OR ASK FOR IT VIA E-MAIL AT VARASCHIN@VARASCHIN.IT

GENERAL INFORMATION

N.B.: VARASCHIN SPA GUARANTEES THAT THE PRODUCT IS MADE OF QUALITY MATERIALS, USING THE BEST TECHNOLOGIES IN THE TRADE. THE COMPANY DECLINES ALL AND ANY LIABILITY FOR DAMAGE TO PERSONS AND/OR THINGS DUE TO IMPROPER USE OF THE PRODUCT. IF IN DOUBT PLEASE CONTACT THE MANUFACTURER.

DISPOSAL

PLEASE DO NOT JUST THROW OUT THE PIECE OF FURNITURE OR ANY PART OF IT. WHEN IT IS NO LONGER WANTED, CALL THE DISPOSAL COMPANY TO HAVE IT TAKEN TO A COLLECTION OR RECOVERY POINT.

FIRE-FIGHTING MEASURES

ALTHOUGH THE PRODUCT IS INFLAMMABLE, IT IS COMBUSTIBLE. THERE ARE NO RESTRICTIONS ON THE TYPES OF EXTINGUISHERS: POWDER, WATER, FOAM OR CO2. USE SUITABLE PROTECTION TO AVOID BREATHING IN FUMES. DURING DISPOSAL TAKE SPECIAL CARE TO PROTECT THE RESPIRATORY SYSTEM.

PRODUCT WARRANTY

REFER TO ARTICLE 3 "PRODUCT WARRANTY" PUBLISHED ON SALES CONDITIONS, DOCUMENTS OF SALE, WEBSITE www.varaschin.it

TECHNICAL INFO SHEET: This product information sheet complies with Italian Legislative Decree No. 206 of 6 September 2005, "Consumer Code".

The information given above refers to the latest data published in the price list. The company reserves the right to alter the models without notice.

COMPANY WITH SYSTEM MANAGEMENT QUALITY CERTIFIED **UNI EN ISO 9001: 2015**



EMMA

design MONICA ARMANI

Family of outdoor seating. Legs available in iroko wood and aluminum intrusion. Seat upholstered with fabric and outdoor Dryfeel foam. Back with aluminum frame, handwoven and powder coated.



legs:

IROKO
ALUMINIUM



backrest:




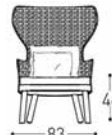
VAR#ROPE



seat:

FABRIC



			
bergerè 236B4A 236B8A		bergerè 236B4B 236B8B	
IGSED	9461C	IGSED	9461C
gross kg 25	m ³ 0,867	gross kg 25,7	m ³ 0,867
net kg 18,8		net kg 19,1	
cuscino seduta e 1 schienale incluso (vedi foto) seat cushion and 1 back cushion included (see picture)		cuscino seduta e schienali inclusi (vedi foto) seat and back cushions included (see picture)	
1 pz - art. 2725 (50x30)		1 pz - art. 2725 (50x30)	
		1 pz - art. 2726 (55x40)	

STRUCTURAL COMPONENTS

BERGERE' CHAIR WITH LEGS IN IROKO WOOD/ALUMINIUM, SEAT IN FABRIC AND BACKREST VAR#ROPE.

SEAT: QUICK DRY POLYURETHANE PADDING IN SEVERAL DENSITIES + RESIN POLYESTER FIBER COMBINED WITH POLYESTER MESH. REMOVABLE CUSHION COVER.

BACK CUSHIONS: 100% SPIRAL SILICON POLYESTER FIBER PADDING WITH OUTSIDE MESH IN POLYPROPYLENE. REMOVABLE CUSHION COVER.

OPTIONAL HEADREST: 100% SPIRAL SILICON POLYESTER FIBER PADDING WITH OUTSIDE MESH IN POLYPROPYLENE. REMOVABLE CUSHION COVER.

CHARACTERISTICS OF THE COVERS ARE DESCRIBED IN THE VARASCHIN FOLDER "FABRICS".

INSTRUCTIONS FOR USING THE PRODUCT PROPERLY AND SAFELY

VARASCHIN IS NOT LIABLE FOR DAMAGE CAUSED BY IMPROPER USE. THE SAME APPLIES TO DAMAGE DERIVING FROM USE IN EXTREME WEATHER CONDITIONS OR LACK OF CARE. TIPS FOR EXTENDING LONGEVITY OF COMPONENTS: DURING THE WINTER STORE IN A DRY AND CLOSED PLACE TO AVOID CONDENSATION .

DO NOT STEP ON WITH FEET. DO NOT SWING BACK AND FORTH ON THE LEGS. DO NOT SIT ON THE BACK OR ON ARMS DO NOT USE AS A LADDER. BUTTONS AND THE ZIPPERS OF CLOTHING MAY CAUSE DAMAGE TO THE MATERIALS. IF NECESSARY, PLEASE CONTACT VARASCHIN SPA. WOOD COLOUR CHANGES MAY OCCUR AFTER SOME TIME DUE TO EXPOSURE TO SUNLIGHT. THIS PRODUCT "FEARS" HEAT SOURCES AND TOO MUCH HUMIDITY, THEREFORE PAY ATTENTION WHERE YOU PLACE IT.

GENERAL INSTRUCTIONS FOR MAINTENANCE AND CLEANING

FOR DAILY CLEANING USE A DRY COTTON CLOTH. FOR MORE THOROUGH CLEANING USE ONLY A NEUTRAL PRODUCT DILUTED IN WARM WATER. NEVER USE ALCOHOL, AMMONIUM, THINNERS OR ABRASIVE PRODUCTS. IN MARINE ENVIRONMENTS ARTICLE SHOULD BE WEEKLY WHASED WITH FRESH WATER. WE WOULD ADVISE USING GOLDEN CARE PRODUCTS AS THEY ARE SPECIALLY DESIGNED FOR CLEANING METAL, GLASS AND SYNTHETIC FIBRES. FOR CLEANING AND TAKING CARE OF FABRICS, SEE THE VARASCHIN SPA "FABRICS" FOLDER. YOU CAN DOWNLOAD FROM OUR WEBSITE WWW.VARASCHIN.IT / "CARTELLA TESSUTI" OR ASK FOR IT VIA E-MAIL AT VARASCHIN@VARASCHIN.IT

GENERAL INFORMATION

N.B.: VARASCHIN SPA GUARANTEES THAT THE PRODUCT IS MADE OF QUALITY MATERIALS, USING THE BEST TECHNOLOGIES IN THE TRADE. THE COMPANY DECLINES ALL AND ANY LIABILITY FOR DAMAGE TO PERSONS AND/OR THINGS DUE TO IMPROPER USE OF THE PRODUCT. IF IN DOUBT PLEASE CONTACT THE MANUFACTURER.

DISPOSAL

PLEASE DO NOT JUST THROW OUT THE PIECE OF FURNITURE OR ANY PART OF IT. AT THE END OF ITS USE, PROVIDE FOR THE RECYCLING OR DISPOSAL OF THE COMPONENTS IN THE APPROPRIATE AREAS.

FIRE-FIGHTING MEASURES

ALTHOUGH THE PRODUCT IS INFLAMMABLE, IT IS COMBUSTIBLE. THERE ARE NO RESTRICTIONS ON THE TYPES OF EXTINGUISHERS: POWDER, WATER, FOAM OR CO2. USE SUITABLE PROTECTION TO AVOID BREATHING IN FUMES. DURING DISPOSAL TAKE SPECIAL CARE TO PROTECT THE RESPIRATORY SYSTEM.

PRODUCT WARRANTY

REFER TO ARTICLE 3 "PRODUCT WARRANTY" PUBLISHED ON SALES CONDITIONS, DOCUMENTS OF SALE, WEBSITE www.varaschin.it

TECHNICAL INFO SHEET: This product information sheet complies with Italian Legislative Decree No. 206 of 6 September 2005, "Consumer Code".

The information given above refers to the latest data published in the price list. The company reserves the right to alter the models without notice.

COMPANY WITH SYSTEM MANAGEMENT QUALITY CERTIFIED **UNI EN ISO 9001: 2015**








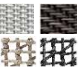




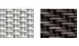




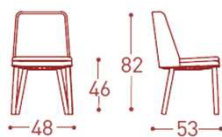


EMMA

design MONICA ARMANI

Collection of outdoor seats in polypropylene covered with acrylic fabrics. Legs and backrests are interchangeable and available in different materials: legs can be in aluminum or iroko wood, while backrests are made of an aluminum frame covered with Textyline, fabric or synthetic cord.



legs: IROKO ALUMINIUM		OUT <input checked="" type="checkbox"/> X <input checked="" type="checkbox"/> X	 lordo kg 8,8  collo m³ m³ 0,302				
backrest: TEXTURE VAR#ROPE FABRIC		OUT <input checked="" type="checkbox"/> X <input checked="" type="checkbox"/> X <input checked="" type="checkbox"/> X					
seat: TEXTURE FABRIC		OUT <input checked="" type="checkbox"/> X <input checked="" type="checkbox"/> X	 				
cover: using instructions:		9450C IGSED		chair 236S1	chair 236S5	chair 236S2	chair 236S6

STRUCTURAL COMPONENTS

CHAIR WITH LEGS IN IROKO WOOD/ALUMINIUM, BACKREST AND SEAT IN TEXTURE/VAR#ROPE/FABRIC.
 SEAT WITH QUICK DRY POLYURETHANE PADDING IN SEVERAL DENSITIES + RESINATED POLYESTER FIBER. CUSHION COVER NOT REMOVABLE. CHARACTERISTICS OF THE COVERS ARE DESCRIBED IN THE VARASCHIN FOLDER "FABRICS".

INSTRUCTIONS FOR USING THE PRODUCT PROPERLY AND SAFELY

VARASCHIN IS NOT LIABLE FOR DAMAGE CAUSED BY IMPROPER USE. THE SAME APPLIES TO DAMAGE DERIVING FROM USE IN EXTREME WEATHER CONDITIONS OR LACK OF CARE. TIPS FOR EXTENDING LONGEVITY OF COMPONENTS: DURING THE WINTER STORE IN A DRY AND CLOSED PLACE TO AVOID CONDENSATION . DO NOT STEP ON WITH FEET. DO NOT SWING BACK AND FORTH ON THE LEGS. DO NOT SIT ON THE BACK OR ON ARMS DO NOT USE AS A LADDER. BUTTONS AND THE ZIPPERS OF CLOTHING MAY CAUSE DAMAGE TO THE MATERIALS. IF NECESSARY, PLEASE CONTACT VARASCHIN SPA. WOOD COLOUR CHANGES MAY OCCUR AFTER SOME TIME DUE TO EXPOSURE TO SUNLIGHT. THIS PRODUCT "FEARS" HEAT SOURCES AND TOO MUCH HUMIDITY, THEREFORE PAY ATTENTION WHERE YOU PLACE IT.

GENERAL INSTRUCTIONS FOR MAINTENANCE AND CLEANING

FOR DAILY CLEANING USE A DRY COTTON CLOTH. FOR MORE THOROUGH CLEANING USE ONLY A NEUTRAL PRODUCT DILUTED IN WARM WATER. NEVER USE ALCOHOL, AMMONIUM, THINNERS OR ABRASIVE PRODUCTS. IN MARINE ENVIRONMENTS ARTICLE SHOULD BE WEEKLY WHASED WITH FRESH WATER. WE WOULD ADVISE USING GOLDEN CARE PRODUCTS AS THEY ARE SPECIALLY DESIGNED FOR CLEANING METAL, GLASS AND SYNTHETIC FIBRES. FOR CLEANING AND TAKING CARE OF FABRICS, SEE THE VARASCHIN SPA "FABRICS" FOLDER. YOU CAN DOWNLOAD FROM OUR WEBSITE WWW.VARASCHIN.IT / "CARTELLA TESSUTI" OR ASK FOR IT VIA E-MAIL AT VARASCHIN@VARASCHIN.IT

GENERAL INFORMATION

N.B.: VARASCHIN SPA GUARANTEES THAT THE PRODUCT IS MADE OF QUALITY MATERIALS, USING THE BEST TECHNOLOGIES IN THE TRADE. THE COMPANY DECLINES ALL AND ANY LIABILITY FOR DAMAGE TO PERSONS AND/OR THINGS DUE TO IMPROPER USE OF THE PRODUCT. IF IN DOUBT PLEASE CONTACT THE MANUFACTURER.

DISPOSAL

PLEASE DO NOT JUST THROW OUT THE PIECE OF FURNITURE OR ANY PART OF IT. WHEN IT IS NO LONGER WANTED, CALL THE DISPOSAL COMPANY TO HAVE IT TAKEN TO A COLLECTION OR RECOVERY POINT.

FIRE-FIGHTING MEASURES

ALTHOUGH THE PRODUCT IS INFLAMMABLE, IT IS COMBUSTIBLE. THERE ARE NO RESTRICTIONS ON THE TYPES OF EXTINGUISHERS: POWDER, WATER, FOAM OR CO2. USE SUITABLE PROTECTION TO AVOID BREATHING IN FUMES. DURING DISPOSAL TAKE SPECIAL CARE TO PROTECT THE RESPIRATORY SYSTEM.

PRODUCT WARRANTY

REFER TO ARTICLE 3 "PRODUCT WARRANTY" PUBLISHED ON SALES CONDITIONS, DOCUMENTS OF SALE, WEBSITE www.varaschin.it

TECHNICAL INFO SHEET: This product information sheet complies with Italian Legislative Decree No. 206 of 6 September 2005, "Consumer Code".

The information given above refers to the latest data published in the price list. The company reserves the right to alter the models without notice.

COMPANY WITH SYSTEM MANAGEMENT QUALITY CERTIFIED **UNI EN ISO 9001: 2015**



EMMA

design MONICA ARMANI

Family of outdoor tables. In both aluminum and iroko wood legs. Hpl and ceramic tops.

legs:




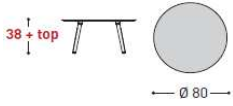
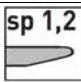
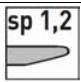
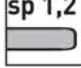
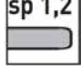



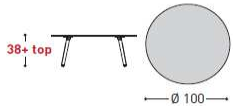
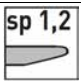
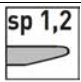
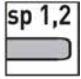
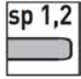
IROKO
ALUMINIUM



top:

HPL
BUSH-HAMMERED CERAMIC



  <p>coffee table ø50 h43</p> <p>236T1 I236T 9440C</p> <p>gross kg 36,2 net kg 33,4 m³ 0,189</p>	  <p>coffee table ø80 h39</p> <p>236T2 I236T 0</p> <p>gross kg 36,2 net kg 33,4 m³ 0,189</p>
<p>with hpl top (1 piece):</p> <p>lordo kg 6,8 m³ 0,024 net kg 5,5 (disassembled)</p> 	<p>with hpl top (1 piece):</p> <p>lordo kg 13 m³ 0,123 net kg 10,6 (disassembled)</p> 
<p>with ceramic top (2 pieces):</p> <p>lordo kg 9,5 m³ 0,045 net kg 8,1 (disassembled)</p> 	<p>with ceramic top (2 pieces):</p> <p>lordo kg 20 m³ 0,068 net kg 17,8 (disassembled)</p> 
  <p>coffee table ø80 h43</p> <p>236T3 I236T 9440C</p> <p>gross kg 40 net kg 37 m³ 0,189</p>	  <p>coffee table ø100 h39</p> <p>236T4 I236T 0</p> <p>gross kg 40 net kg 37 m³ 0,189</p>
<p>with hpl top (1 piece):</p> <p>lordo kg 13 m³ 0,123 net kg 10,6 (disassembled)</p> 	<p>with hpl top (1 piece):</p> <p>lordo kg 18,2 m³ 0,187 net kg 15,4 (disassembled)</p> 
<p>with ceramic top (2 pieces):</p> <p>lordo kg 20 m³ 0,068 net kg 17,8 (disassembled)</p> 	<p>with ceramic top (2 pieces):</p> <p>lordo kg 59,1 m³ 0,093 net kg 26,9 (disassembled)</p> 

STRUCTURAL COMPONENTS

FAMILY OF OUTDOOR TABLES. IN BOTH ALUMINUM AND IROKO WOOD LEGS. HPL AND CERAMIC TOPS.

INSTRUCTIONS FOR USING THE PRODUCT PROPERLY AND SAFELY

VARASCHIN IS NOT LIABLE FOR DAMAGE CAUSED BY IMPROPER USE. THE SAME APPLIES TO DAMAGE DERIVING FROM USE IN EXTREME WEATHER CONDITIONS OR LACK OF CARE. TIPS FOR EXTENDING LONGEVITY OF COMPONENTS: DURING THE WINTER STORE IN A DRY AND CLOSED PLACE TO AVOID CONDENSATION . DO NOT STEP ON WITH FEET. DO NOT SWING BACK AND FORTH ON THE LEGS. DO NOT SIT. DO NOT USE AS A LADDER. VARASCHIN IS NOT LIABLE FOR DAMAGE CAUSED BY IMPROPER USE. IF NECESSARY, PLEASE CONTACT VARASCHIN SPA. WOOD COLOUR CHANGES MAY OCCUR AFTER SOME TIME DUE TO EXPOSURE TO SUNLIGHT. THIS PRODUCT "FEARS" HEAT SOURCES AND TOO MUCH HUMIDITY, THEREFORE PAY ATTENTION WHERE YOU PLACE IT.

INSTRUCTIONS FOR USING THE PRODUCT PROPERLY AND SAFELY

DO NOT STEP ON WITH FEET. DO NOT SWING BACK AND FORTH ON THE LEGS. DO NOT SIT. DO NOT USE AS A LADDER. VARASCHIN IS NOT LIABLE FOR DAMAGE CAUSED BY IMPROPER USE. IF NECESSARY, PLEASE CONTACT VARASCHIN SPA.

GENERAL INSTRUCTIONS FOR MAINTENANCE AND CLEANING

FOR DAILY CLEANING USE A DRY COTTON CLOTH. FOR MORE THOROUGH CLEANING USE ONLY A NEUTRAL PRODUCT DILUTED IN WARM WATER. NEVER USE ALCOHOL, AMMONIUM, THINNERS OR ABRASIVE PRODUCTS.

GENERAL INFORMATION

N.B.: VARASCHIN SPA GUARANTEES THAT THE PRODUCT IS MADE OF QUALITY MATERIALS, USING THE BEST TECHNOLOGIES IN THE TRADE. THE COMPANY DECLINES ALL AND ANY LIABILITY FOR DAMAGE TO PERSONS AND/OR THINGS DUE TO IMPROPER USE OF THE PRODUCT. IF IN DOUBT PLEASE CONTACT THE MANUFACTURER.

DISPOSAL

PLEASE DO NOT JUST THROW OUT THE PIECE OF FURNITURE OR ANY PART OF IT. AT THE END OF ITS USE, PROVIDE FOR THE RECYCLING OR DISPOSAL OF THE COMPONENTS IN THE APPROPRIATE AREAS.

FIRE-FIGHTING MEASURES

ALTHOUGH THE PRODUCT IS INFLAMMABLE, IT IS COMBUSTIBLE. THERE ARE NO RESTRICTIONS ON THE TYPES OF EXTINGUISHERS: POWDER, WATER, FOAM OR CO2. USE SUITABLE PROTECTION TO AVOID BREATHING IN FUMES. DURING DISPOSAL TAKE SPECIAL CARE TO PROTECT THE RESPIRATORY SYSTEM.

PRODUCT WARRANTY

REFER TO ARTICLE 3 "PRODUCT WARRANTY" PUBLISHED ON SALES CONDITIONS, DOCUMENTS OF SALE, WEBSITE www.varaschin.it

TECHNICAL INFO SHEET: This product information sheet complies with Italian Legislative Decree No. 206 of 6 September 2005, "Consumer Code".

The information given above refers to the latest data published in the price list. The company reserves the right to alter the models without notice.

COMPANY WITH SYSTEM MANAGEMENT QUALITY CERTIFIED UNI EN ISO 9001: 2015






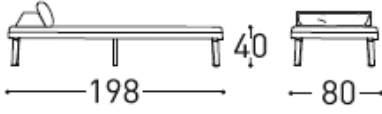



EMMA

design MONICA ARMANI

Family of outdoor seating. Legs available in iroko wood and aluminum intrusion. Seat upholstered with fabric and outdoor Dryfeel foam. Back with aluminum frame, handwoven and powder coated.



<p>legs: IROKO ALUMINIUM</p> 	 <p>base sunlounger 236LT8 236LT4</p> <p>IGSED 9401C</p>	<table border="1"> <thead> <tr> <th>Pz</th> <th>L</th> <th>P</th> <th>H</th> </tr> </thead> <tbody> <tr> <td>1</td> <td>200</td> <td>79</td> <td>47</td> </tr> <tr> <td></td> <td>78³/₄</td> <td>31¹/₈</td> <td>18¹/₂</td> </tr> </tbody> </table> <p>m³ 0,743 - Kg 30,7 tot. Kg 25 net 18 + 7 cusc.</p>	Pz	L	P	H	1	200	79	47		78 ³ / ₄	31 ¹ / ₈	18 ¹ / ₂	 <p>confort sunlounger 236LT8A 236LT4A</p> <p>IGSED 9401C</p>	<table border="1"> <thead> <tr> <th>Pz</th> <th>L</th> <th>P</th> <th>H</th> </tr> </thead> <tbody> <tr> <td>1</td> <td>200</td> <td>79</td> <td>47</td> </tr> <tr> <td></td> <td>78³/₄</td> <td>31¹/₈</td> <td>18¹/₂</td> </tr> </tbody> </table> <p>m³ 0,743 - Kg 33,6 tot. Kg 27,9 net 18 + 9,9 cusc.</p>	Pz	L	P	H	1	200	79	47		78 ³ / ₄	31 ¹ / ₈	18 ¹ / ₂
Pz	L	P	H																									
1	200	79	47																									
	78 ³ / ₄	31 ¹ / ₈	18 ¹ / ₂																									
Pz	L	P	H																									
1	200	79	47																									
	78 ³ / ₄	31 ¹ / ₈	18 ¹ / ₂																									
<p>backrest: VAR#ROPE</p> 																												
<p>seat: FABRIC</p> 																												

STRUCTURAL COMPONENTS

SUNLOUNGER WITH LEGS IN IROKO WOOD/ALUMINIUM, SEAT IN FABRIC AND BACKREST VAR#ROPE.

SEAT: QUICK DRY POLYURETHANE PADDING IN SEVERAL DENSITIES + RESIN POLYESTER FIBER COMBINED WITH POLYESTER MESH. REMOVABLE CUSHION COVER.

BACK CUSHIONS: 100% SPIRAL SILICON POLYESTER FIBER PADDING WITH OUTSIDE MESH IN POLYPROPYLENE. REMOVABLE CUSHION COVER.

CHARACTERISTICS OF THE COVERS ARE DESCRIBED IN THE VARASCHIN FOLDER "FABRICS".

INSTRUCTIONS FOR USING THE PRODUCT PROPERLY AND SAFELY

VARASCHIN IS NOT LIABLE FOR DAMAGE CAUSED BY IMPROPER USE. THE SAME APPLIES TO DAMAGE DERIVING FROM USE IN EXTREME WEATHER CONDITIONS OR LACK OF CARE. TIPS FOR EXTENDING LONGEVITY OF COMPONENTS: DURING THE WINTER STORE IN A DRY AND CLOSED PLACE TO AVOID CONDENSATION .

DO NOT STEP ON WITH FEET. DO NOT SWING BACK AND FORTH ON THE LEGS. DO NOT SIT ON THE BACK OR ON ARMS DO NOT USE AS A LADDER. BUTTONS AND THE ZIPPERS OF CLOTHING MAY CAUSE DAMAGE TO THE MATERIALS. IF NECESSARY, PLEASE CONTACT VARASCHIN SPA. WOOD COLOUR CHANGES MAY OCCUR AFTER SOME TIME DUE TO EXPOSURE TO SUNLIGHT. THIS PRODUCT "FEARS" HEAT SOURCES AND TOO MUCH HUMIDITY, THEREFORE PAY ATTENTION WHERE YOU PLACE IT.

GENERAL INSTRUCTIONS FOR MAINTENANCE AND CLEANING

FOR DAILY CLEANING USE A DRY COTTON CLOTH. FOR MORE THOROUGH CLEANING USE ONLY A NEUTRAL PRODUCT DILUTED IN WARM WATER. NEVER USE ALCOHOL, AMMONIUM, THINNERS OR ABRASIVE PRODUCTS. IN MARINE ENVIRONMENTS ARTICLE SHOULD BE WEEKLY WHASED WITH FRESH WATER. WE WOULD ADVISE USING GOLDEN CARE PRODUCTS AS THEY ARE SPECIALLY DESIGNED FOR CLEANING METAL, GLASS AND SYNTHETIC FIBRES. FOR CLEANING AND TAKING CARE OF FABRICS, SEE THE VARASCHIN SPA "FABRICS" FOLDER. YOU CAN DOWNLOAD FROM OUR WEBSITE WWW.VARASCHIN.IT / "CARTELLA TESSUTI" OR ASK FOR IT VIA E-MAIL AT VARASCHIN@VARASCHIN.IT

GENERAL INFORMATION

N.B.: VARASCHIN SPA GUARANTEES THAT THE PRODUCT IS MADE OF QUALITY MATERIALS, USING THE BEST TECHNOLOGIES IN THE TRADE. THE COMPANY DECLINES ALL AND ANY LIABILITY FOR DAMAGE TO PERSONS AND/OR THINGS DUE TO IMPROPER USE OF THE PRODUCT. IF IN DOUBT PLEASE CONTACT THE MANUFACTURER.

DISPOSAL

PLEASE DO NOT JUST THROW OUT THE PIECE OF FURNITURE OR ANY PART OF IT. AT THE END OF ITS USE, PROVIDE FOR THE RECYCLING OR DISPOSAL OF THE COMPONENTS IN THE APPROPRIATE AREAS.

FIRE-FIGHTING MEASURES

ALTHOUGH THE PRODUCT IS NOT INFLAMMABLE, IT IS COMBUSTIBLE. THERE ARE NO RESTRICTIONS ON THE TYPES OF EXTINGUISHERS: POWDER, WATER, FOAM OR CO2. USE SUITABLE PROTECTION TO AVOID BREATHING IN FUMES. DURING DISPOSAL TAKE SPECIAL CARE TO PROTECT THE RESPIRATORY SYSTEM.

PRODUCT WARRANTY

REFER TO ARTICLE 3 "PRODUCT WARRANTY" PUBLISHED ON SALES CONDITIONS, DOCUMENTS OF SALE, WEBSITE www.varaschin.it

TECHNICAL INFO SHEET: This product information sheet complies with Italian Legislative Decree No. 206 of 6 September 2005, "Consumer Code".

The information given above refers to the latest data published in the price list. The company reserves the right to alter the models without notice.

COMPANY WITH SYSTEM MANAGEMENT QUALITY CERTIFIED **UNI EN ISO 9001: 2015**



EMMA

design MONICA ARMANI

Outdoor footrest. In both aluminum and iroko wood legs. Seat upholstered with fabric and outdoor Dryfeel foam.



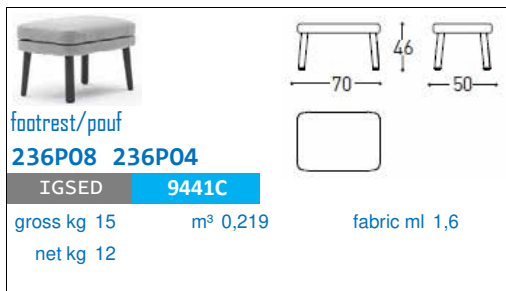
legs:

IROKO
ALUMINIUM



seat:

FABRIC



footrest/pouf

236P08 236P04

IGSED **9441C**

gross kg 15 m³ 0,219 fabric ml 1,6
net kg 12

STRUCTURAL COMPONENTS

FOOTREST/POUF WITH LEGS IN IROKO WOOD/ALUMINIUM, SEAT IN FABRIC AND BACKREST VAR#ROPE.

SEAT: QUICK DRY POLYURETHANE PADDING IN SEVERAL DENSITIES + RESIN POLYESTER FIBER COMBINED WITH POLYESTER MESH. REMOVABLE CUSHION COVER. CHARACTERISTICS OF THE COVERS ARE DESCRIBED IN THE VARASCHIN FOLDER "FABRICS".

INSTRUCTIONS FOR USING THE PRODUCT PROPERLY AND SAFELY

VARASCHIN IS NOT LIABLE FOR DAMAGE CAUSED BY IMPROPER USE. THE SAME APPLIES TO DAMAGE DERIVING FROM USE IN EXTREME WEATHER CONDITIONS OR LACK OF CARE. TIPS FOR EXTENDING LONGEVITY OF COMPONENTS: DURING THE WINTER STORE IN A DRY AND CLOSED PLACE TO AVOID CONDENSATION. DO NOT STEP ON WITH FEET. DO NOT SWING BACK AND FORTH ON THE LEGS. DO NOT SIT ON THE BACK OR ON ARMS DO NOT USE AS A LADDER. BUTTONS AND THE ZIPPERS OF CLOTHING MAY CAUSE DAMAGE TO THE MATERIALS. IF NECESSARY, PLEASE CONTACT VARASCHIN SPA. WOOD COLOUR CHANGES MAY OCCUR AFTER SOME TIME DUE TO EXPOSURE TO SUNLIGHT. THIS PRODUCT "FEARS" HEAT SOURCES AND TOO MUCH HUMIDITY, THEREFORE PAY ATTENTION WHERE YOU PLACE IT.

GENERAL INSTRUCTIONS FOR MAINTENANCE AND CLEANING

FOR DAILY CLEANING USE A DRY COTTON CLOTH. FOR MORE THOROUGH CLEANING USE ONLY A NEUTRAL PRODUCT DILUTED IN WARM WATER. NEVER USE ALCOHOL, AMMONIUM, THINNERS OR ABRASIVE PRODUCTS. IN MARINE ENVIRONMENTS ARTICLE SHOULD BE WEEKLY WHASED WITH FRESH WATER. WE WOULD ADVISE USING GOLDEN CARE PRODUCTS AS THEY ARE SPECIALLY DESIGNED FOR CLEANING METAL, GLASS AND SYNTHETIC FIBRES. FOR CLEANING AND TAKING CARE OF FABRICS, SEE THE VARASCHIN SPA "FABRICS" FOLDER. YOU CAN DOWNLOAD FROM OUR WEBSITE WWW.VARASCHIN.IT / "CARTELLA TESSUTI" OR ASK FOR IT VIA E-MAIL AT VARASCHIN@VARASCHIN.IT

GENERAL INFORMATION

N.B.: VARASCHIN SPA GUARANTEES THAT THE PRODUCT IS MADE OF QUALITY MATERIALS, USING THE BEST TECHNOLOGIES IN THE TRADE. THE COMPANY DECLINES ALL AND ANY LIABILITY FOR DAMAGE TO PERSONS AND/OR THINGS DUE TO IMPROPER USE OF THE PRODUCT. IF IN DOUBT PLEASE CONTACT THE MANUFACTURER.

DISPOSAL

PLEASE DO NOT JUST THROW OUT THE PIECE OF FURNITURE OR ANY PART OF IT. AT THE END OF ITS USE, PROVIDE FOR THE RECYCLING OR DISPOSAL OF THE COMPONENTS IN THE APPROPRIATE AREAS.

FIRE-FIGHTING MEASURES

ALTHOUGH THE PRODUCT IS INFLAMMABLE, IT IS COMBUSTIBLE. THERE ARE NO RESTRICTIONS ON THE TYPES OF EXTINGUISHERS: POWDER, WATER, FOAM OR CO2. USE SUITABLE PROTECTION TO AVOID BREATHING IN FUMES. DURING DISPOSAL TAKE SPECIAL CARE TO PROTECT THE RESPIRATORY SYSTEM.

PRODUCT WARRANTY

REFER TO ARTICLE 3 "PRODUCT WARRANTY" PUBLISHED ON SALES CONDITIONS, DOCUMENTS OF SALE, WEBSITE www.varaschin.it

TECHNICAL INFO SHEET: This product information sheet complies with Italian Legislative Decree No. 206 of 6 September 2005, "Consumer Code".

The information given above refers to the latest data published in the price list. The company reserves the right to alter the models without notice.

COMPANY WITH SYSTEM MANAGEMENT QUALITY CERTIFIED UNI EN ISO 9001: 2015



EMMA

design MONICA ARMANI

Family of outdoor seating. Legs available in iroko wood and aluminum intrusion. Seat upholstered with fabric and outdoor Dryfeel foam. Back with aluminum frame, handwoven and powder coated.



legs:

IROKO
ALUMINIUM



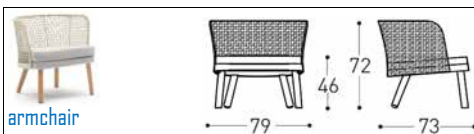
backrest:

VAR#ROPE



seat:

FABRIC



armchair

236L8 236L4

IGSED	9450C	
gross kg	20,5	m ³ 0,511
net kg	15,5	fabric ml 1,6

cuscino seduta incluso (vedi foto)
seat cushion included (see picture)



armchair

236L8A 236L4A

IGSED	9450C	
gross kg	21,8	m ³ 0,511
net kg	18,1	fabric ml 2,35

cuscino seduta e schienale incluso (vedi foto)
seat and back cushion included (see picture)
1 pz - art. 2727 (60x45)

STRUCTURAL COMPONENTS

LOUNGE CHAIR WITH LEGS IN IROKO WOOD/ALUMINIUM, SEAT IN FABRIC AND BACKREST VAR#ROPE.

SEAT: QUICK DRY POLYURETHANE PADDING IN SEVERAL DENSITIES + RESIN POLYESTER FIBER COMBINED WITH POLYESTER MESH. REMOVABLE CUSHION COVER.

BACK CUSHION: 100% SPIRAL SILICON POLYESTER FIBER PADDING WITH OUTSIDE MESH IN POLYPROPYLENE. REMOVABLE CUSHION COVER.

CHARACTERISTICS OF THE COVERS ARE DESCRIBED IN THE VARASCHIN FOLDER "FABRICS".

INSTRUCTIONS FOR USING THE PRODUCT PROPERLY AND SAFELY

VARASCHIN IS NOT LIABLE FOR DAMAGE CAUSED BY IMPROPER USE. THE SAME APPLIES TO DAMAGE DERIVING FROM USE IN EXTREME WEATHER CONDITIONS OR LACK OF CARE. TIPS FOR EXTENDING LONGEVITY OF COMPONENTS: DURING THE WINTER STORE IN A DRY AND CLOSED PLACE TO AVOID CONDENSATION .

DO NOT STEP ON WITH FEET. DO NOT SWING BACK AND FORTH ON THE LEGS. DO NOT SIT ON THE BACK OR ON ARMS DO NOT USE AS A LADDER. BUTTONS AND THE ZIPPERS OF CLOTHING MAY CAUSE DAMAGE TO THE MATERIALS. IF NECESSARY, PLEASE CONTACT VARASCHIN SPA. WOOD COLOUR CHANGES MAY OCCUR AFTER SOME TIME DUE TO EXPOSURE TO SUNLIGHT. THIS PRODUCT "FEARS" HEAT SOURCES AND TOO MUCH HUMIDITY, THEREFORE PAY ATTENTION WHERE YOU PLACE IT.

GENERAL INSTRUCTIONS FOR MAINTENANCE AND CLEANING

FOR DAILY CLEANING USE A DRY COTTON CLOTH. FOR MORE THOROUGH CLEANING USE ONLY A NEUTRAL PRODUCT DILUTED IN WARM WATER. NEVER USE ALCOHOL, AMMONIUM, THINNERS OR ABRASIVE PRODUCTS. IN MARINE ENVIRONMENTS ARTICLE SHOULD BE WEEKLY WHASED WITH FRESH WATER. WE WOULD ADVISE USING GOLDEN CARE PRODUCTS AS THEY ARE SPECIALLY DESIGNED FOR CLEANING METAL, GLASS AND SYNTHETIC FIBRES. FOR CLEANING AND TAKING CARE OF FABRICS, SEE THE VARASCHIN SPA "FABRICS" FOLDER. YOU CAN DOWNLOAD FROM OUR WEBSITE WWW.VARASCHIN.IT / "CARTELLA TESSUTI" OR ASK FOR IT VIA E-MAIL AT VARASCHIN@VARASCHIN.IT

GENERAL INFORMATION

N.B.: VARASCHIN SPA GUARANTEES THAT THE PRODUCT IS MADE OF QUALITY MATERIALS, USING THE BEST TECHNOLOGIES IN THE TRADE. THE COMPANY DECLINES ALL AND ANY LIABILITY FOR DAMAGE TO PERSONS AND/OR THINGS DUE TO IMPROPER USE OF THE PRODUCT. IF IN DOUBT PLEASE CONTACT THE MANUFACTURER.

DISPOSAL

PLEASE DO NOT JUST THROW OUT THE PIECE OF FURNITURE OR ANY PART OF IT. AT THE END OF ITS USE, PROVIDE FOR THE RECYCLING OR DISPOSAL OF THE COMPONENTS IN THE APPROPRIATE AREAS.

FIRE-FIGHTING MEASURES

ALTHOUGH THE PRODUCT IS INFLAMMABLE, IT IS COMBUSTIBLE. THERE ARE NO RESTRICTIONS ON THE TYPES OF EXTINGUISHERS: POWDER, WATER, FOAM OR CO2. USE SUITABLE PROTECTION TO AVOID BREATHING IN FUMES. DURING DISPOSAL TAKE SPECIAL CARE TO PROTECT THE RESPIRATORY SYSTEM.

PRODUCT WARRANTY

REFER TO ARTICLE 3 "PRODUCT WARRANTY" PUBLISHED ON SALES CONDITIONS, DOCUMENTS OF SALE, WEBSITE www.varaschin.it

TECHNICAL INFO SHEET: This product information sheet complies with Italian Legislative Decree No. 206 of 6 September 2005, "Consumer Code".

The information given above refers to the latest data published in the price list. The company reserves the right to alter the models without notice.

COMPANY WITH SYSTEM MANAGEMENT QUALITY CERTIFIED **UNI EN ISO 9001: 2015**



EMMA

design MONICA ARMANI

Family of outdoor seating. Legs available in iroko wood and aluminum intrusion. Seat upholstered with fabric and outdoor Dryfeel foam. Back with aluminum frame, handwoven and powder coated.



legs:

IROKO
ALUMINIUM




backrest:

VAR#ROPE
seat:



FABRIC

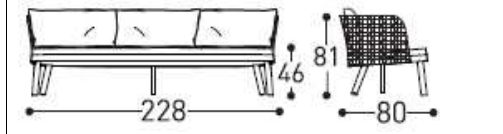



3 seater sofa
236D38A 236D34A

Pz	L	P	H
1	232	82	76
	91 ³ / ₈	32 ¹ / ₄	29 ⁷ / ₈

m³ 1,446 - Kg 48,0 tot.
Kg 40 net
28 + 12 cusc.

IGSED **9470C**



STRUCTURAL COMPONENTS

3 SEATER SOFA WITH LEGS IN IROKO WOOD/ALUMINIUM, SEAT IN FABRIC AND BACKREST VAR#ROPE.

SEAT: QUICK DRY POLYURETHANE PADDING IN SEVERAL DENSITIES + RESIN POLYESTER FIBER COMBINED WITH POLYESTER MESH. REMOVABLE CUSHION COVER.

BACK CUSHIONS: 100% SPIRAL SILICON POLYESTER FIBER PADDING WITH OUTSIDE MESH IN POLYPROPYLENE. REMOVABLE CUSHION COVER.

CHARACTERISTICS OF THE COVERS ARE DESCRIBED IN THE VARASCHIN FOLDER "FABRICS".

INSTRUCTIONS FOR USING THE PRODUCT PROPERLY AND SAFELY

VARASCHIN IS NOT LIABLE FOR DAMAGE CAUSED BY IMPROPER USE. THE SAME APPLIES TO DAMAGE DERIVING FROM USE IN EXTREME WEATHER CONDITIONS OR LACK OF CARE. TIPS FOR EXTENDING LONGEVITY OF COMPONENTS: DURING THE WINTER STORE IN A DRY AND CLOSED PLACE TO AVOID CONDENSATION .

DO NOT STEP ON WITH FEET. DO NOT SWING BACK AND FORTH ON THE LEGS. DO NOT SIT ON THE BACK OR ON ARMS DO NOT USE AS A LADDER. BUTTONS AND THE ZIPPERS OF CLOTHING MAY CAUSE DAMAGE TO THE MATERIALS. IF NECESSARY, PLEASE CONTACT VARASCHIN SPA. WOOD COLOUR CHANGES MAY OCCUR AFTER SOME TIME DUE TO EXPOSURE TO SUNLIGHT. THIS PRODUCT "FEARS" HEAT SOURCES AND TOO MUCH HUMIDITY, THEREFORE PAY ATTENTION WHERE YOU PLACE IT.

GENERAL INSTRUCTIONS FOR MAINTENANCE AND CLEANING

FOR DAILY CLEANING USE A DRY COTTON CLOTH. FOR MORE THOROUGH CLEANING USE ONLY A NEUTRAL PRODUCT DILUTED IN WARM WATER. NEVER USE ALCOHOL, AMMONIUM, THINNERS OR ABRASIVE PRODUCTS. IN MARINE ENVIRONMENTS ARTICLE SHOULD BE WEEKLY WHASED WITH FRESH WATER. WE WOULD ADVISE USING GOLDEN CARE PRODUCTS AS THEY ARE SPECIALLY DESIGNED FOR CLEANING METAL, GLASS AND SYNTHETIC FIBRES. FOR CLEANING AND TAKING CARE OF FABRICS, SEE THE VARASCHIN SPA "FABRICS" FOLDER. YOU CAN DOWNLOAD FROM OUR WEBSITE WWW.VARASCHIN.IT / "CARTELLA TESSUTI" OR ASK FOR IT VIA E-MAIL AT VARASCHIN@VARASCHIN.IT

GENERAL INFORMATION

N.B.: VARASCHIN SPA GUARANTEES THAT THE PRODUCT IS MADE OF QUALITY MATERIALS, USING THE BEST TECHNOLOGIES IN THE TRADE. THE COMPANY DECLINES ALL AND ANY LIABILITY FOR DAMAGE TO PERSONS AND/OR THINGS DUE TO IMPROPER USE OF THE PRODUCT. IF IN DOUBT PLEASE CONTACT THE MANUFACTURER.

DISPOSAL

PLEASE DO NOT JUST THROW OUT THE PIECE OF FURNITURE OR ANY PART OF IT. AT THE END OF ITS USE, PROVIDE FOR THE RECYCLING OR DISPOSAL OF THE COMPONENTS IN THE APPROPRIATE AREAS.

FIRE-FIGHTING MEASURES

ALTHOUGH THE PRODUCT IS NOT INFLAMMABLE, IT IS COMBUSTIBLE. THERE ARE NO RESTRICTIONS ON THE TYPES OF EXTINGUISHERS: POWDER, WATER, FOAM OR CO2. USE SUITABLE PROTECTION TO AVOID BREATHING IN FUMES. DURING DISPOSAL TAKE SPECIAL CARE TO PROTECT THE RESPIRATORY SYSTEM.

PRODUCT WARRANTY

REFER TO ARTICLE 3 "PRODUCT WARRANTY" PUBLISHED ON SALES CONDITIONS, DOCUMENTS OF SALE, WEBSITE www.varaschin.it

TECHNICAL INFO SHEET: This product information sheet complies with Italian Legislative Decree No. 206 of 6 September 2005, "Consumer Code".

The information given above refers to the latest data published in the price list. The company reserves the right to alter the models without notice.

COMPANY WITH SYSTEM MANAGEMENT QUALITY CERTIFIED **UNI EN ISO 9001: 2015**





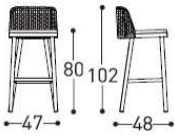
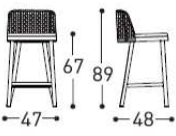


EMMA

design MONICA ARMANI

Family of outdoor seating. Legs available in iroko wood and aluminum intrusion. Seat upholstered with fabric and outdoor Dryfeel foam. Back with aluminum frame, handwoven and powder coated.



legs: IROKO ALUMINIUM varnished		 high bar stool 236SG8 IGSED 9402C	<table border="1"> <thead> <tr> <th>Pz</th> <th>L</th> <th>P</th> <th>H</th> </tr> </thead> <tbody> <tr> <td rowspan="2">1</td> <td>51</td> <td>52</td> <td>104</td> </tr> <tr> <td>20 1/8</td> <td>20 1/2</td> <td>41</td> </tr> </tbody> </table>	Pz	L	P	H	1	51	52	104	20 1/8	20 1/2	41	 low bar stool 236SG8B IGSED 9402C	<table border="1"> <thead> <tr> <th>Pz</th> <th>L</th> <th>P</th> <th>H</th> </tr> </thead> <tbody> <tr> <td rowspan="2">1</td> <td>61</td> <td>52</td> <td>94</td> </tr> <tr> <td>24</td> <td>20 1/2</td> <td>37</td> </tr> </tbody> </table>	Pz	L	P	H	1	61	52	94	24	20 1/2	37
			Pz	L	P	H																					
1	51	52	104																								
	20 1/8	20 1/2	41																								
Pz	L	P	H																								
1	61	52	94																								
	24	20 1/2	37																								
backrest: VAR#ROPE seat: FABRIC			m ³ 0,276 - Kg 11,6 tot. Kg 9,0 net		m ³ 0,298 - Kg 11,7 tot. Kg 9,0 net																						

STRUCTURAL COMPONENTS

SUNLOUNGER WITH LEGS IN IROKO WOOD/ALUMINIUM, SEAT IN FABRIC AND BACKREST VAR#ROPE.

SEAT: QUICK DRY POLYURETHANE PADDING IN SEVERAL DENSITIES + RESIN POLYESTER FIBER COMBINED WITH POLYESTER MESH. REMOVABLE CUSHION COVER. CHARACTERISTICS OF THE COVERS ARE DESCRIBED IN THE VARASCHIN FOLDER "FABRICS".

INSTRUCTIONS FOR USING THE PRODUCT PROPERLY AND SAFELY

VARASCHIN IS NOT LIABLE FOR DAMAGE CAUSED BY IMPROPER USE. THE SAME APPLIES TO DAMAGE DERIVING FROM USE IN EXTREME WEATHER CONDITIONS OR LACK OF CARE. TIPS FOR EXTENDING LONGEVITY OF COMPONENTS: DURING THE WINTER STORE IN A DRY AND CLOSED PLACE TO AVOID CONDENSATION .

DO NOT STEP ON WITH FEET. DO NOT SWING BACK AND FORTH ON THE LEGS. DO NOT SIT ON THE BACK OR ON ARMS DO NOT USE AS A LADDER. BUTTONS AND THE ZIPPERS OF CLOTHING MAY CAUSE DAMAGE TO THE MATERIALS. IF NECESSARY, PLEASE CONTACT VARASCHIN SPA. WOOD COLOUR CHANGES MAY OCCUR AFTER SOME TIME DUE TO EXPOSURE TO SUNLIGHT. THIS PRODUCT "FEARS" HEAT SOURCES AND TOO MUCH HUMIDITY, THEREFORE PAY ATTENTION WHERE YOU PLACE IT.

GENERAL INSTRUCTIONS FOR MAINTENANCE AND CLEANING

FOR DAILY CLEANING USE A DRY COTTON CLOTH. FOR MORE THOROUGH CLEANING USE ONLY A NEUTRAL PRODUCT DILUTED IN WARM WATER. NEVER USE ALCOHOL, AMMONIUM, THINNERS OR ABRASIVE PRODUCTS. IN MARINE ENVIRONMENTS ARTICLE SHOULD BE WEEKLY WHASED WITH FRESH WATER. WE WOULD ADVISE USING GOLDEN CARE PRODUCTS AS THEY ARE SPECIALLY DESIGNED FOR CLEANING METAL, GLASS AND SYNTHETIC FIBRES. FOR CLEANING AND TAKING CARE OF FABRICS, SEE THE VARASCHIN SPA "FABRICS" FOLDER. YOU CAN DOWNLOAD FROM OUR WEBSITE WWW.VARASCHIN.IT / "CARTELLA TESSUTI" OR ASK FOR IT VIA E-MAIL AT VARASCHIN@VARASCHIN.IT

GENERAL INFORMATION

N.B.: VARASCHIN SPA GUARANTEES THAT THE PRODUCT IS MADE OF QUALITY MATERIALS, USING THE BEST TECHNOLOGIES IN THE TRADE. THE COMPANY DECLINES ALL AND ANY LIABILITY FOR DAMAGE TO PERSONS AND/OR THINGS DUE TO IMPROPER USE OF THE PRODUCT. IF IN DOUBT PLEASE CONTACT THE MANUFACTURER.

DISPOSAL

PLEASE DO NOT JUST THROW OUT THE PIECE OF FURNITURE OR ANY PART OF IT. AT THE END OF ITS USE, PROVIDE FOR THE RECYCLING OR DISPOSAL OF THE COMPONENTS IN THE APPROPRIATE AREAS.

FIRE-FIGHTING MEASURES

ALTHOUGH THE PRODUCT IS NOT INFLAMMABLE, IT IS COMBUSTIBLE. THERE ARE NO RESTRICTIONS ON THE TYPES OF EXTINGUISHERS: POWDER, WATER, FOAM OR CO2. USE SUITABLE PROTECTION TO AVOID BREATHING IN FUMES. DURING DISPOSAL TAKE SPECIAL CARE TO PROTECT THE RESPIRATORY SYSTEM.

PRODUCT WARRANTY

REFER TO ARTICLE 3 "PRODUCT WARRANTY" PUBLISHED ON SALES CONDITIONS, DOCUMENTS OF SALE, WEBSITE www.varaschin.it

TECHNICAL INFO SHEET: This product information sheet complies with Italian Legislative Decree No. 206 of 6 September 2005, "Consumer Code".

The information given above refers to the latest data published in the price list. The company reserves the right to alter the models without notice.

COMPANY WITH SYSTEM MANAGEMENT QUALITY CERTIFIED **UNI EN ISO 9001: 2015**