




# COPACABANA


design R&D Varaschin

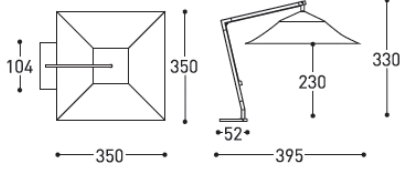
Aluminum and stainless steel 304 EP structure with 2 bases (65 kg each) complete with acrylic fabric and bag cover. 360° rotation.



**4754**

**Ombrellone**  
Umbrella





104  
350  
330  
230  
395  
52°

198 Kg

istruzioni d'uso  
using instruction **14754**


disponibile anche 300x370 (4756)  
also available 300x370 (4756)

collo struttura				collo base marmo			
Pz	L	P	H	Pz	L	P	H
1	17	255	35	2	55	13	55
	6 3/4	100 3/8	13 3/4		21 3/8	5 1/8	21 3/8
m³ 0,152 - Kg 31,0 tot.				m³ 0,039 - Kg 70,0 tot.			


collo base metall.				collo telo			
Pz	L	P	H	Pz	L	P	H
1	107	7	82	1	24	279	24
	42 1/8	2 3/4	32 1/4		9 1/2	109 7/8	9 1/2
m³ 0,061 - Kg 17,0 tot.				m³ 0,161 - Kg 26,0 tot.			

**BASE**  
BASE




Granito  
Granite

**TELAIO**  
FRAME



Alluminio Anodizzato  
Anodized Aluminum

**COPERTURA**  
COVER



Acrilico Taupe  
Taupe Acrylic

## STRUCTURAL COMPONENTS

ALUMINUM AND STAINLESS STEEL 304 EP STRUCTURE WITH 2 BASES (65 KG EACH) COMPLETE WITH ACRYLIC FABRIC AND BAG COVER. 360° ROTATION.

## CHARACTERISTICS OF THE MATERIALS

CHARACTERISTICS OF THE MATERIALS AND FABRICS ARE DESCRIBED IN THE WEBSITE [www.varaschin.it](http://www.varaschin.it) FOLDER "MATERIALS" AND YOU CAN DOWNLOAD FROM FOLDER "DOWNLOAD-MATERIALS".

## PRECAUTIONS

THE UMBRELLAS AND RESPECTIVE COMPONENTS OF THE BASES MUST BE ASSEMBLED CORRECTLY, IN RESPECT OF THE ASSEMBLY INSTRUCTIONS. THE STATIC CALCULATIONS RELATING TO THE WIND, COUNTERWEIGHT BASES HAVE BEEN MADE CONSIDERING PERFECTLY FLAT EVEN FLOORS OR GROUND. THEY ARE NO LONGER VALID IF THE FLOORS OR GROUND ARE EVEN SLIGHTLY INCLINED OR UNEVEN. THIS COULD MAKE THE UMBRELLA DANGEROUS. IT IS IMPORTANT TO BE AWARE THAT THE UMBRELLA IS NOT FIXED TO THE FLOOR AND THEREFORE SHOULD BE OPENED ONLY AND USED IN STABLE METEOROLOGIC CONDITIONS. IN CASE OF HIGH WINDS, SNOW OR UNSUITABLE WEATHER CONDITIONS THIS SHOULD BE CLOSED IMMEDIATELY AND BLOCKED WITH THE APPROPRIATE RIBBON. IMPROPER USE OF THE UMBRELLA IS NOT ALLOWED.

## INSTRUCTIONS FOR USING THE PRODUCT PROPERLY AND SAFELY

VARASCHIN IS NOT LIABLE FOR DAMAGE CAUSED BY IMPROPER USE. THE SAME APPLIES TO DAMAGE DERIVING FROM USE IN EXTREME WEATHER CONDITIONS OR LACK OF CARE. TIPS FOR EXTENDING LONGEVITY OF COMPONENTS: DURING THE WINTER STORE IN A DRY AND CLOSED PLACE TO AVOID CONDENSATION.

## GENERAL INSTRUCTIONS FOR MAINTENANCE AND CLEANING

FOR DAILY CLEANING USE A DRY COTTON CLOTH. FOR MORE THOROUGH CLEANING USE ONLY A NEUTRAL PRODUCT DILUTED IN WARM WATER. NEVER USE ALCOHOL, AMMONIUM, THINNERS OR ABRASIVE PRODUCTS. IN MARINE ENVIRONMENTS ARTICLE SHOULD BE WEEKLY WHASED WITH FRESH WATER. FOR CLEANING AND TAKING CARE OF ALL MATERIALS AND FABRICS, SEE THE FOLDER "DOWNLOAD-MAINTENANCE" FROM OUR WEBSITE [www.varaschin.it](http://www.varaschin.it) OR ASK FOR IT VIA E-MAIL AT [customer-care@varaschin.it](mailto:customer-care@varaschin.it).

## GENERAL INFORMATION

N.B.: VARASCHIN SPA GUARANTEES THAT THE PRODUCT IS MADE OF QUALITY MATERIALS, USING THE BEST TECHNOLOGIES IN THE TRADE. THE COMPANY DECLINES ALL AND ANY LIABILITY FOR DAMAGE TO PERSONS AND/OR THINGS DUE TO IMPROPER USE OF THE PRODUCT. IF IN DOUBT PLEASE CONTACT THE MANUFACTURER.

## DISPOSAL

PLEASE DO NOT JUST THROW OUT THE PIECE OF FURNITURE OR ANY PART OF IT. AT THE END OF ITS USE, PROVIDE FOR THE RECYCLING OR DISPOSAL OF THE COMPONENTS IN THE APPROPRIATE AREAS.

## FIRE-FIGHTING MEASURES

ALTHOUGH THE PRODUCT IS NOT INFLAMMABLE, IT IS COMBUSTIBLE. THERE ARE NO RESTRICTIONS ON THE TYPES OF EXTINGUISHERS: POWDER, WATER, FOAM OR CO2. USE SUITABLE PROTECTION TO AVOID BREATHING IN FUMES. DURING DISPOSAL TAKE SPECIAL CARE TO PROTECT THE RESPIRATORY SYSTEM.

## PRODUCT WARRANTY

REFER TO ARTICLE 3 "PRODUCT WARRANTY" PUBLISHED ON SALES CONDITIONS, DOCUMENTS OF SALE, WEBSITE [www.varaschin.it](http://www.varaschin.it)

**TECHNICAL INFO SHEET:** This product information sheet complies with Italian Legislative Decree No. 206 of 6 September 2005, "Consumer Code".

The information given above refers to the latest data published in the price list. The company reserves the right to alter the models without notice.

COMPANY WITH SYSTEM MANAGEMENT QUALITY CERTIFIED **UNI EN ISO 9001: 2015**