

# CONFIDENT

MESH AND  
UPHOLSTERED  
BACKREST

4 LEGGED  
STRUCTURE AND  
CANTILEVER BASE

MADE IN THE  
EUROPEAN UNION

Compact, stackable, warm and elegant. Confident combines with a multitude of different collections, playing with its forms and great variety of finishes, an exceptional guest chair.  
Cozy and versatile. Confident, another new product by Dile, is the perfect companion to any workspace.  
Stackable up to 4 units.



**01.**

**Backrest**

Exterior of the backrest is made of injection-moulded black polypropylene, 100% recyclable. Backrest in flexible high density polyurethane foam (hard) of 25 kg/m<sup>3</sup> (EN ISO 845 / BS 5852/10).

**02.**

**Seat**

Seat exterior in black injected polypropylene, 100% recyclable. Seat in flexible high density polyurethane foam (hard) of 30 kg/m<sup>3</sup> (EN ISO 845 / BS 5852/10).

**03.**

**Structure**

Steel tube of 25 mm diameter and 2 mm thickness, painted in aluminized epoxy grey (RAL 9006) (ISO 2360 / ISO 2409 / ASTM D 2794 / ISO 9227 / ISO 6270) or chrome plated 10 to 15 microns thick. Armrests and bumpers in non-slip nylon.

The structure has passed the following tests:  
 UNE EN 1728 p.6.8 Seat fatigue test.  
 UNE EN 1728 p.6.7 Back fatigue test.  
 UNE EN 1728 P.6.2.1 Static load of the backrest.



Chrome



RAL 9006

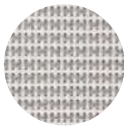


**01.**

**Backrest**

Black injection molded polypropylene frame, 100% recyclable. White or black acrylic mesh backrest with the following characteristics:

- Fabric weight 285 g/m<sup>2</sup>
- Thickness 0.7 mm
- Warp tensile strength 107 kg
- Weft tensile strength 135 kg
- Density of warp yarn 8,6
- Weft density 9,5



01 / White



02 / Black

**02.**

**Seat**

Seat exterior in black injected polypropylene, 100% recyclable. Seat in flexible high density polyurethane foam (hard) of 30 kg/m<sup>3</sup> (EN ISO 845 / BS 5852/10).

**03.**

**Structure**

Steel tube of 25 mm diameter and 2 mm thickness, painted in aluminized epoxy grey (RAL 9006) (ISO 2360 / ISO 2409 / ASTM D 2794 / ISO 9227 / ISO 6270) or chrome plated 10 to 15 microns thick. Armrests and bumpers in non-slip nylon.

The structure has passed the following tests:  
 UNE EN 1728 p.6.8 Seat fatigue test.  
 UNE EN 1728 p.6.7 Back fatigue test.  
 UNE EN 1728 P.6.2.1 Static load of the backrest.

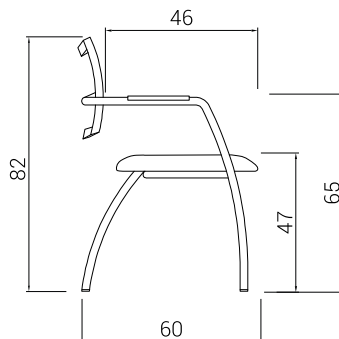
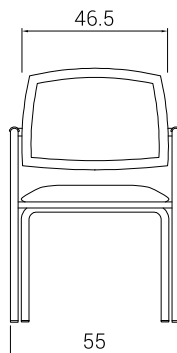
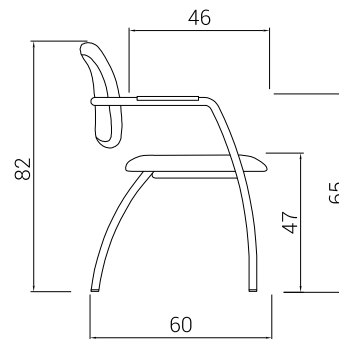
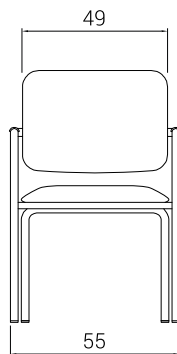
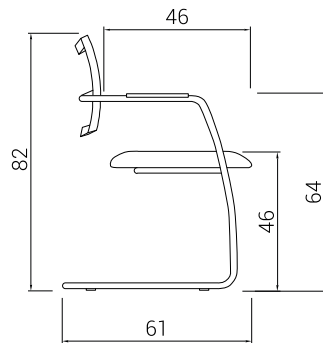
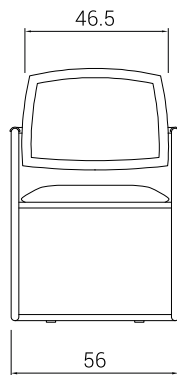
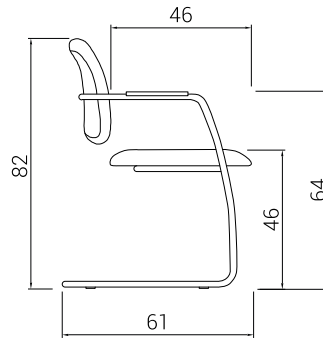
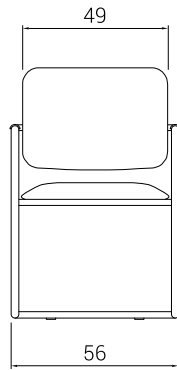


Chrome



RAL 9006





CONFIDENT  
SUSTAINABLE



**93%**  
RECYCLABLE

67% Metal  
17% Polypropylene  
3% Other plastic materials  
13% Others

**BACKREST**  
Black injection molded polypropylene frame. Acrylic mesh

**STRUCTURE**  
steel tube painted in aluminized epoxy grey or chrome

**SEAT**  
plastic injection of polypropylene covered with polyurethane foam



**SKID CANTILEVER**  
Upholstered backrest



**4 LEGS CANTILEVER**  
Upholstered backrest



**4 LEGS CANTILEVER**  
Back mesh



- ✓ 100% recyclable cardboard packaging, made from 90% recycled materials.
- ✓ Dileoffice is certified according to ISO 9001:2015, 14001:2015 and 14006:2020. All phases of the production process, from the receipt of components to the delivery of the finished product, are meticulously managed to minimise the impact on the environment.
- ✓ Dileoffice chairs are assessed by AIDIMEE to certify the compliance of each product with UNE EN standards.

- ✓ If it is necessary to replace the entire chair or any of its parts, the end customer will be informed of the recycling management of each element according to the composition of the materials.
- ✓ Transport is carried out by scheduled routes, giving priority to fuel savings. We use our own transport trucks, always trying to use the maximum volume, and minimising the volume in the packaging.

01

BALI (Go1)



02

POLYESTER (Go1)



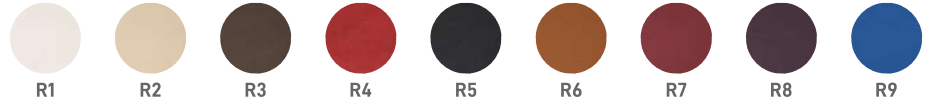
03

GOYA (Go1)



04

TOUCH LEATHER (Go1)



05

COMBI (Go1)



06

OCEAN (Go2)



07

ELASTIKA FR (Go2)



08

ORUGA (Go2)



09

NILO (Go2)



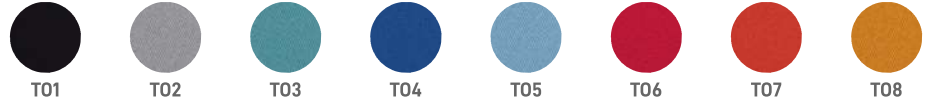
10

MADISON (Go2)



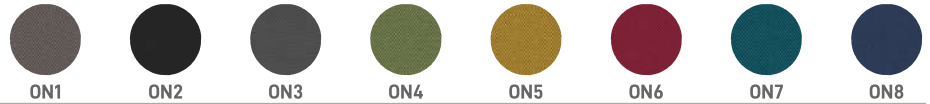
11

TONAL (Go2)



12

ONE (Go2)



13

VALENCIA (Go3)



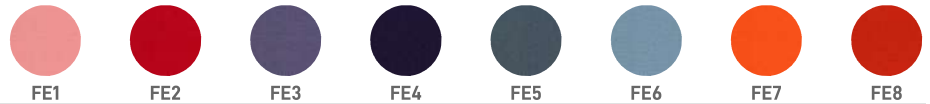
14

DEKORA (Go3)



15

FELICITY (Go3)



16

LEATHER (Go4)

