

MONDO

# Cambio

We are constantly reinventing ourselves. Our collections are alive and expand as new behaviors among users emerge. With great naturalness, the height of 105cm | 41.33" comes to the Cambio table collection to offer even more possibilities to equip any kind of space. Its soft and geometric shapes grow organically and adapt successfully to all types of environments: corporate, hospitality, educational or residential. The options multiply. Combine heights, shapes, and finishes to achieve balanced environments with Cambio.



SKU:VIMOB-601-CAD70  
SKU:VIMOB-601-CAD150  
SKU:VIMOB-601-CAD180  
SKU:VIMOB-601-CAC70  
SKU:VIMOB-601-CAC300  
SKU:VIMOB-601-CAC500

## Cambio table H74cm | H29.13"



Cambio H74 D60cm /  
H29.13" D23.62"



Cambio H74 D70cm /  
H29.13" D27.55"



Cambio H74 D80cm /  
H29.13" D31.49"



Cambio H74 D100cm /  
H29.13" D39.37"



Cambio H74 90x90 cm /  
H29.13" 35.43"x35.43"



Cambio H74 D150cm /  
H29.13" D59.05"



Cambio H74 140x140 cm /  
H29.13" 55.11"x55.11"



Cambio H74 D200cm /  
H29.13" D78.74"



Cambio double base H74 300x150 cm / H29.13" 118.11x59.05"



Cambio double base H74 500x150 cm / H29.13" 196.85x59.05"

## Connectivity



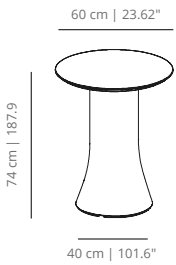
1. Pop-up sockets
2. USB port
3. Power socket
4. Pop-up sockets

## CAMBIO HEIGHT 74 | 29<sup>5</sup>/<sub>64</sub>

---

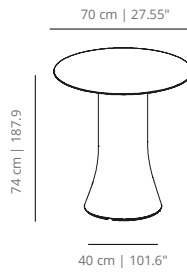
### CAD60

table round 60 | 23<sup>5</sup>/<sub>8</sub>



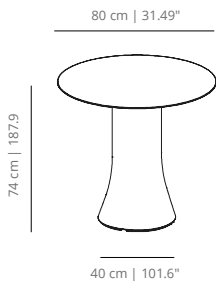
### CAD70

table round 70 | 27<sup>61</sup>/<sub>64</sub>



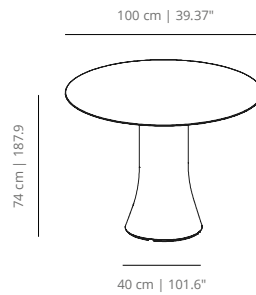
### CAD80

table round 80 |



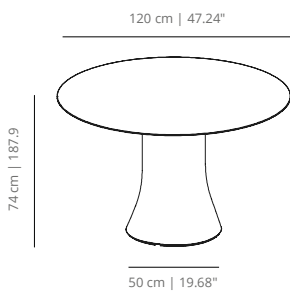
### CAD100

table round 100 | 39<sup>3</sup>/<sub>8</sub>



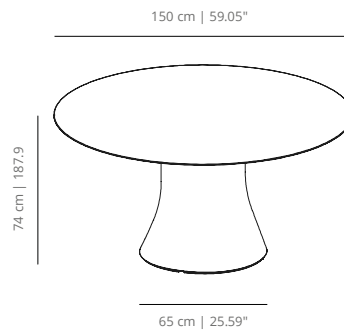
### CAD120

table round 120 | 47<sup>1</sup>/<sub>4</sub>



### CAD150

table round 150 | 59<sup>1</sup>/<sub>16</sub>

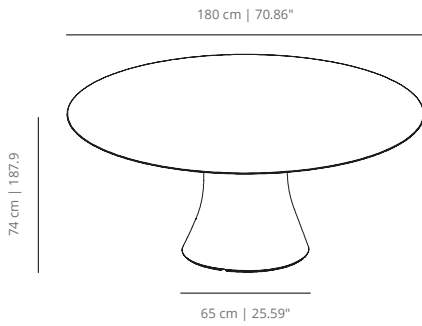


## CAMBIO HEIGHT 74 | 29<sup>1</sup>/<sub>4</sub>

---

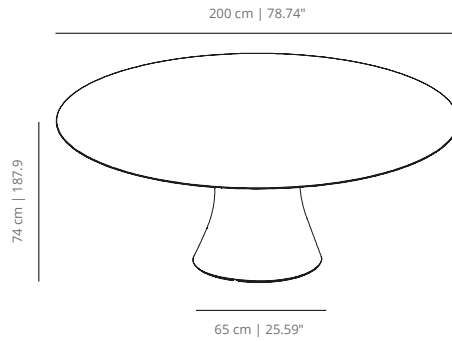
### CAD180

table round 180 | 70<sup>55</sup>/<sub>64</sub>



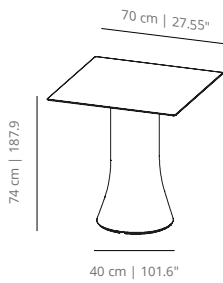
### CAD200

table round 200 | 78<sup>47</sup>/<sub>64</sub>



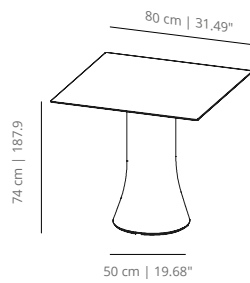
### CAC70

table 70x70 | 27<sup>9</sup>/<sub>16</sub> x 27<sup>9</sup>/<sub>16</sub>



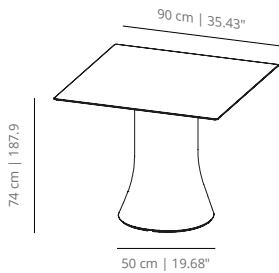
### CAC80

table 80x80 | 31<sup>1</sup>/<sub>20</sub> x 31<sup>1</sup>/<sub>20</sub>



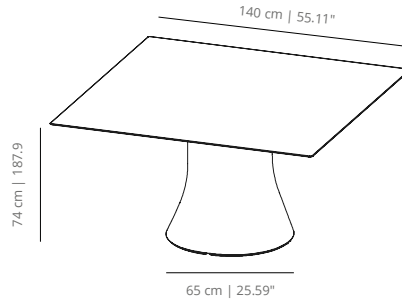
### CAC90

table 90x90 | 35<sup>7</sup>/<sub>16</sub> x 35<sup>7</sup>/<sub>16</sub>



### CAC140

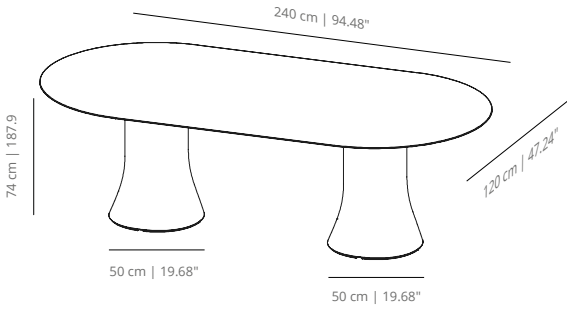
table 140x140 | 55<sup>1</sup>/<sub>8</sub> x 55<sup>1</sup>/<sub>8</sub>



CAMBIO HEIGHT 74 | 29<sup>9</sup>/<sub>64</sub>

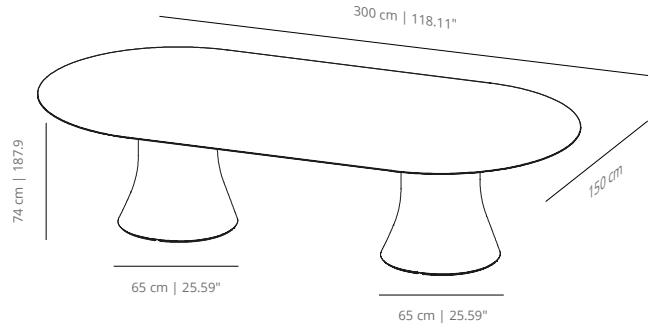
**CAC240**

table 240x120 | 91<sup>31</sup>/<sub>64</sub> x 47<sup>1</sup>/<sub>4</sub>



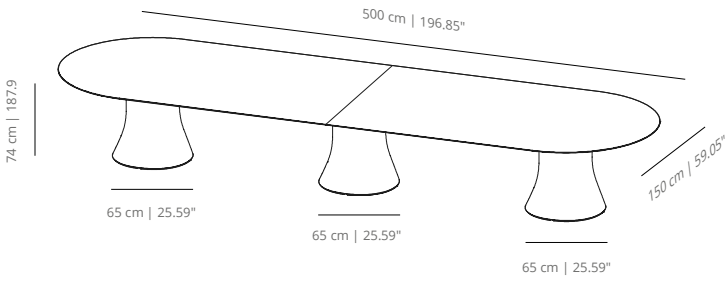
**CAC300**

table 300x150 | 118<sup>7</sup>/<sub>64</sub> x 59<sup>1</sup>/<sub>64</sub>



**CAC500**

table 500x150 | 196<sup>27</sup>/<sub>32</sub> x 59<sup>1</sup>/<sub>64</sub>

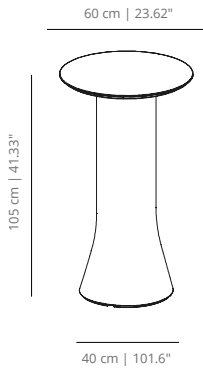


## CAMBIO HEIGHT 105 | 41<sup>1</sup>/<sub>2</sub>"

---

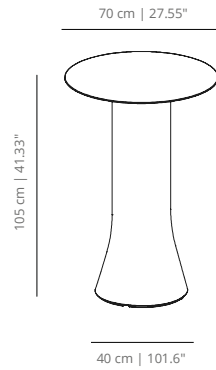
### CAD60H

table round 60 | 26<sup>5</sup>/<sub>8</sub>"



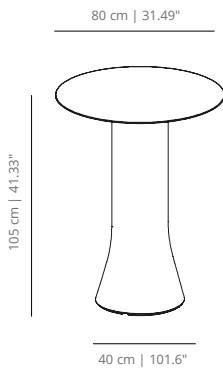
### CAD70H

table round 70 | 27<sup>9</sup>/<sub>16</sub>"



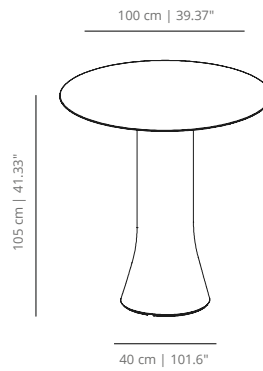
### CAD80H

table round 80 | 31<sup>1</sup>/<sub>2</sub>"



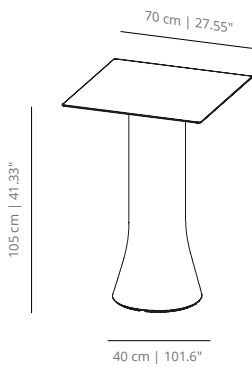
### CAD100H

table round 100 | 39<sup>3</sup>/<sub>8</sub>"



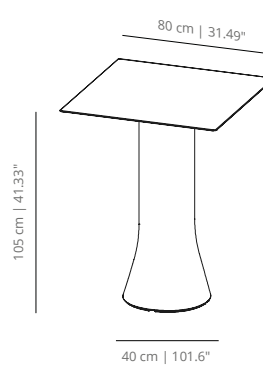
### CAC70H

table 70x70 | 27<sup>9</sup>/<sub>16</sub>"x27<sup>9</sup>/<sub>16</sub>"



### CAC80H

table 80x80 | 31<sup>1</sup>/<sub>2</sub>"x31<sup>1</sup>/<sub>2</sub>"

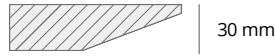


## FINISHES

### TABLETOPS MATERIALS

#### MDF - STAINED & LACQUERED

The 30 mm thick cover or work surface is made with microtextured MDF. It also comes with a solid oak veneer, stained in bleached oak, matt oak, cognac oak, walnut oak and ash oak.



30 mm



bleached stained oak



matt stained oak



cognac stained oak



walnut stained oak



ash stained oak



white  
RAL 9003



black  
RAL 9005



taupe  
RAL 1019



dusty green  
RAL 7034



olive green  
RAL 0904030



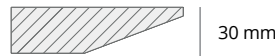
brick  
RAL 0505030



dusty pink  
RAL 0607020

#### HPL WITH MDF

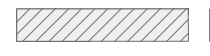
High pressure HPL laminate in black or white on a 30 mm thick MDF board with stained edges in transparent.



30 mm

#### MELAMINE

Melamine (LPL) thickness 19 mm with 1,5 mm PVC edge, in black or white.



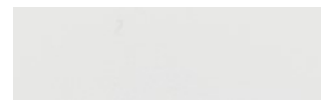
black | soft touch by FENIX®



white



black



white

#### COMPACT

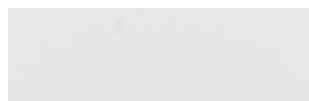
12 mm thick compact laminated table top. The edge can be in black or white. With a black edge, the surface of the tabletop can be black or white; for a white edge, it can be white.



12 mm



black



white

## BASE OPTIONS

---

Central support available in roto-moulded polyethylene in white, black or taupe.



white  
RAL 9003



black  
RAL 9005



taupe  
RAL 1019

## OUTDOOR FINISHES

### TABLETOPS MATERIALS

---

#### COMPACT

12 mm thick compact laminated table top. The edge can be in black or white. With a black edge, the surface of the tabletop can be black or white; for a white edge, it can be white.



black

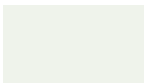


white

## BASE OPTIONS

---

Central support available in roto-moulded polyethylene in white, black or taupe.



white  
RAL 9003



black  
RAL 9005



taupe  
RAL 1019

*NOTE: Outdoor cover available to protect the product from water, humidity and sunlight.*



# MONDO

## ACCESSORIES & ELECTRIFICATIONS



**Table top hatch plus.** Metallic hatch access to the lower part of the table for wooden table tops. Metal frame available in black or grey and central part in the veneer of the finish of the table. Does not include power options. Dimensions: 32x15 cm | 12.59"x5.90".



**Table top hatch.** Metallic hatch access to the lower part of the table. Available in white, black or grey. Does not include power options. Dimensions: 32x15 cm | 12.59"x5.90"



**Table top hatch powerbox.** Metallic hatch with 4 sockets or combined with built-in multimedia devices. Available in white, black or grey. Dimensions: 32x15 cm | 12.59"x5.90"



**Table top hatch powerbox.** Metallic hatch for wooden table tops with 4 sockets or combined with built-in multimedia devices. Metal frame available in black or grey and central part in the veneer of the finish of the table. Dimensions: 32x15 cm | 12.59"x5.90"



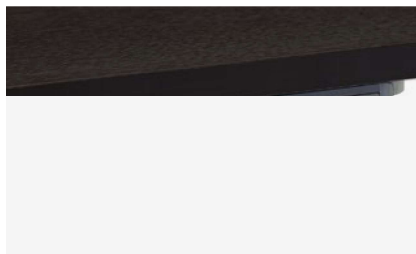
**USB port.** Built-in USB hub for charging electronic devices, built in the tabletop. The cable length is 1.0 m with USB connection. Available in black or white. Dimensions: Ø 3 cm | 1.18"



**Pop-up sockets.** Built-in pop-up socket cylinder made of stainless steel can have 2 Schuko sockets or 1 Schuko socket + 2 USB hubs. For different configurations, contact the sales department. The cylinder is hidden and pops up by gently pressing on it, offering the possibility of connection on four sides.



**USB hub with battery.** USB hub with two USB device charging ports without being plugged into electric current. It's needed to buy the battery charging tray to charge the USB hub battery.



**Under table powerbox.** Powerbox available with 2 sockets or combined with built-in multimedia devices.