

CIRCLE

The CIRCLE collection from DILE is inspired by the boldness of the 60s and 70s, but with a contemporary touch.
A harmonious color palette with fresh, Mediterranean tones whose shapes directly catch the eye and turn any space into a focal point.
DILE's solution to a multitude of needs.

4 DIFFERENT BASES

**CHROME OR BLACK
FINISH**

**MADE IN THE
EUROPEAN UNION**



CIRCLE CHAIR

SKU: DIMOLE-402-S3745-BA04
 SKU: DIMOLE-402-S3745-BA09
 SKU: DIMOLE-402-S3745-BA07

01.

Monocoque seat

Internal steel structure covered with fireproof foam (UNE EN 10212/06 / BS-5852/06) of high density polyurethane foam of 60 kg/m³ (EN ISO 845) with an external layer of fiber.

02.

Swivel spring

- Revolving system (EN 1335 3/01 / UNI 9084/02)

Revolving cylinder with automatic centering, 360° rotation and cushioning. Height not adjustable. This mechanism allows the user to rotate the chair while seated. As soon as the user stands up from the chair, the cylinder automatically returns to its original position. Specially designed to maintain order in meeting and waiting areas. Not available for 4-radius base in oak wood.

- Swivel spring (UNI 9084/02) chrome-plated 12 to 15 microns thick or with black epoxy paint (RAL 9005). Height not adjustable.

03.

Bases/structures

- 45 cm diameter, 12 mm thick, round steel plate, chrome plated from 12 to 15 microns thick (UNI 9084/02) or black epoxy paint (RAL 9005).

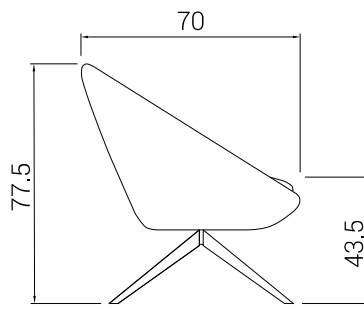
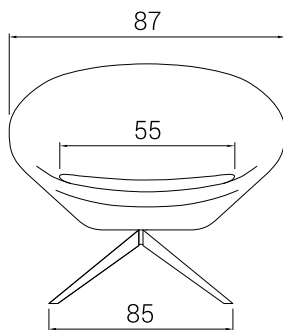
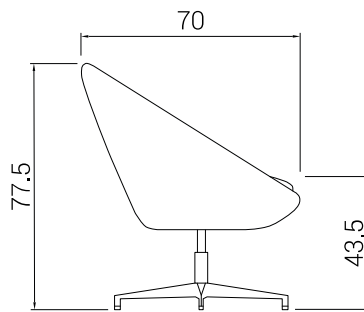
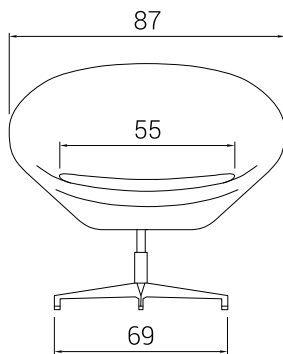
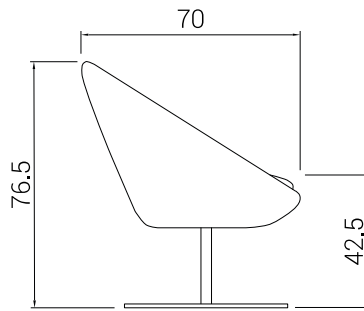
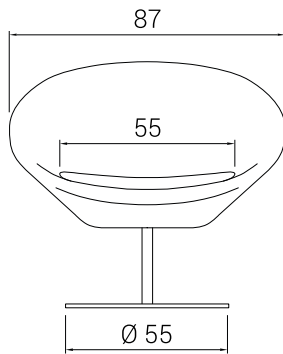
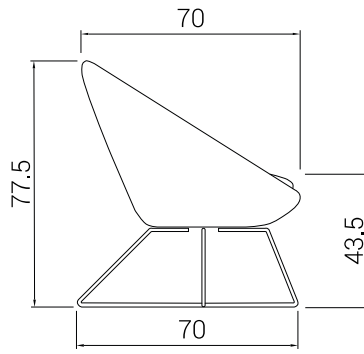
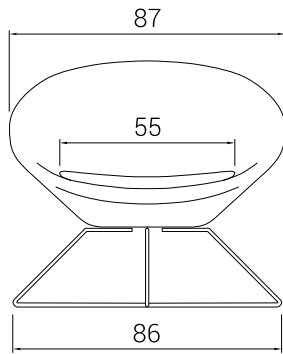
- 12 mm diameter steel rod structure with 12 to 15 micron thick chrome plating or black epoxy paint (RAL 9005).

- 4-radius base in oak wood.

- 4-legged polished aluminum base with a diameter of 69 cm. With non-slip nylon caps. Comes with chrome-plated swivel spring.

- Aluminium base painted in black epoxy (RAL 9005) with a diameter of 69 cm. With non-slip nylon caps. Comes with black swivel spring.





CIRCLE FINISHES

01

BALI (Go1)



02

POLYESTER (Go1)



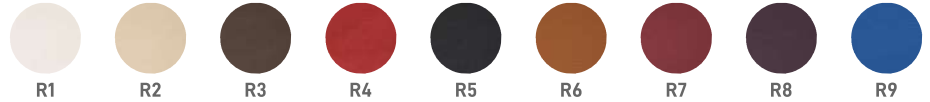
03

GOYA (Go1)



04

TOUCH LEATHER (Go1)



05

COMBI (Go1)



06

OCEAN (Go2)



07

ELASTIKA FR (Go2)



08

ORUGA (Go2)



09

NILO (Go2)



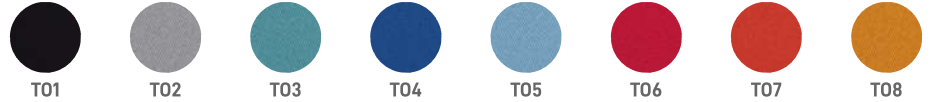
10

MADISON (Go2)



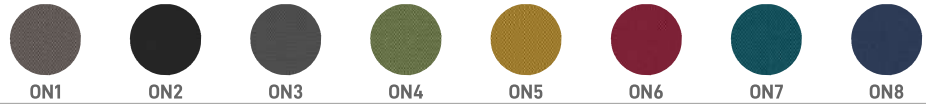
11

TONAL (Go2)



12

ONE (Go2)



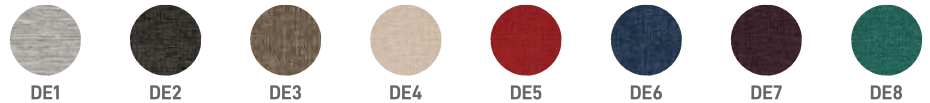
13

VALENCIA (Go3)



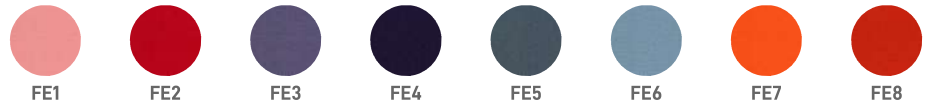
14

DEKORA (Go3)



15

FELICITY (Go3)



16

LEATHER (Go4)

