

CALMA

Calma represents sobriety and purity. Recommended for collective use, its timeless design and strong visual impact make this model a simple, warm and enveloping seat. Its fresh, bright and Mediterranean colors ensure a perfect integration in any open space. Different versions are available: cantilever base, revolving base or bench version. Designed by Rafa Ortega and technologically developed by Dile, Calma is made of only two materials, both fully recyclable: elastomer, a clean, comfortable and warm material, and aluminum, strong, light and flexible. Available in white matte. For other colors, please consult your sales representative for minimum quantities and delivery times.

**ENTIRELY
RECYCLABLE:
ELASTOMER AND
ALUMINUM**

**CANTILEVER,
REVOLVING AND
BENCH VERSION**

**MADE IN THE
EUROPEAN UNION**



CALMA REVOLVING CHAIR WITH SQUARE BASE

SKU:DIMOLE-401-S1204

01.

Monocoque seat

Made of 6 mm thick aluminum plate, matt polyester lacquered in white (RAL 9010).



RAL 9010

Elastomer coating (injection of integral polyurethane foam of 40 kg/m³ density) with tempered steel metal insert with rod, with the following characteristics:

- Anti UV treatment, which maintains unalterable its color , as well as the physical and chemical properties of the elastomer.
- Waterproof as it has no pores.
- Easy to clean with a wet cloth.
- It softens with body heat, adopting our shape, and immediately recovers its shape when not in use due to its density.



01 / White



02 / Black



12 / Grey



17 / Red cauldren



24 / Chocolate



Not suitable for outdoor use.

02.

Armrests (optional)

Armrests in aluminum plate 6 mm thick and 40 mm wide, lacquered in matt polyester in white (RAL 9010) integrated in the structure.



RAL 9010

03.

Revolving system (EN 1335 3/01 / UNI 9084/02)

Revolving cylinder with automatic centering, 360° rotation and cushioning. Height not adjustable. This mechanism allows the user to rotate the chair while seated. As soon as the user stands up from the chair, the cylinder automatically returns to its original position. Specially designed to maintain order in meeting and waiting areas. Only available with non-slip nylon caps.

04.

Base

8 mm thick steel revolving base, matt polyester lacquered in white (RAL 9010).



CALMA REVOLVING CHAIR WITH 4 LEGS

01.

Monocoque seat

Made of 6 mm thick aluminum plate, matt polyester lacquered in white (RAL 9010).



RAL 9010

Elastomer coating (injection of integral polyurethane foam of 40 kg/m³ density) with tempered steel metal insert with rod, with the following characteristics:

- Anti UV treatment, which maintains unalterable its color , as well as the physical and chemical properties of the elastomer.
- Waterproof as it has no pores.
- Easy to clean with a wet cloth.
- It softens with body heat, adopting our shape, and immediately recovers its shape when not in use due to its density.



01 / White



02 / Black



12 / Grey



17 / Red cauldren



24 / Chocolate



Not suitable for outdoor use.

02.

Armrests (optional)

Armrests in aluminum plate 6 mm thick and 40 mm wide, lacquered in matt polyester in white (RAL 9010) integrated in the structure.



RAL 9010

03.

Revolving system (EN 1335 3/01 / UNI 9084/02)

Revolving cylinder with automatic centering, 360° rotation and cushioning. Height not adjustable. This mechanism allows the user to rotate the chair while seated. As soon as the user stands up from the chair, the cylinder automatically returns to its original position. Specially designed to maintain order in meeting and waiting areas. Only available with non-slip nylon caps.

04.

Base

Aluminium base painted in white epoxy (RAL 9010) with a diameter of 69 cm. With non-slip nylon caps.



01.

Monocoque seat

Made of 6 mm thick aluminum plate, matt polyester lacquered in white (RAL 9010).



RAL 9010

Elastomer coating (injection of integral polyurethane foam of 40 kg/m3 density) with tempered steel metal insert with rod, with the following characteristics:

- Anti UV treatment, which maintains unalterable its color , as well as the physical and chemical properties of the elastomer.
- Waterproof as it has no pores.
- Easy to clean with a wet cloth.
- It softens with body heat, adopting our shape, and immediately recovers its shape when not in use due to its density.



01 / White



02 / Black



12 / Grey



17 / Red cauldren



24 / Chocolate

02.

Structure

Extruded aluminum skid 8 mm thick and 50 mm wide lacquered in matt polyester in white (RAL 9010). Anti-slip tops.



RAL 9010



Suitable for outdoor use .

01.

Monocoque seat

Made of 6 mm thick aluminum plate, matt polyester lacquered in white (RAL 9010).



RAL 9010

Elastomer coating (injection of integral polyurethane foam of 40 kg/m3 density) with tempered steel metal insert with rod, with the following characteristics:

- Anti UV treatment, which maintains unalterable its color , as well as the physical and chemical properties of the elastomer.
- Waterproof as it has no pores.
- Easy to clean with a wet cloth.
- It softens with body heat, adopting our shape, and immediately recovers its shape when not in use due to its density.



01 / White



02 / Black



12 / Grey



17 / Red cauldren



24 / Chocolate



02.

Structure

Made of 8 mm thick steel lacquered in white matt polyester (RAL 9010). Available in 2, 3 or 4 seats. Optional: Aluminum side table at both ends, matt polyester lacquered in white (RAL 9010).

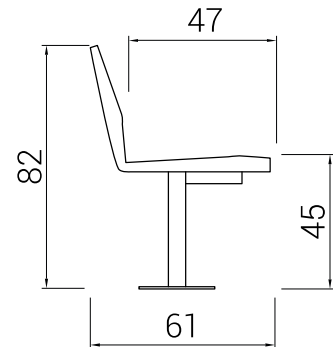
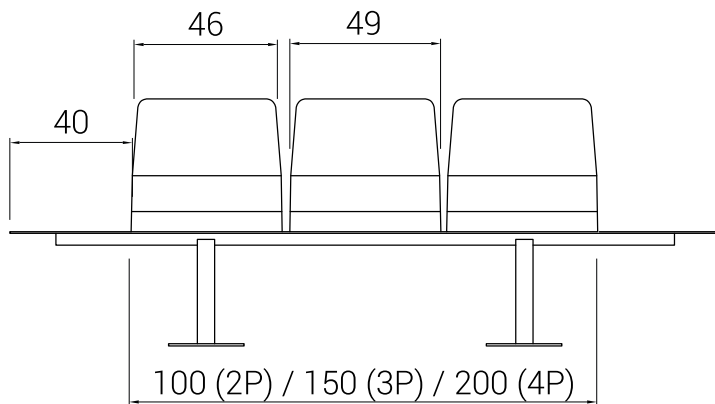
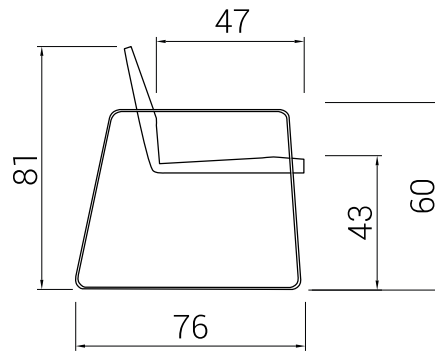
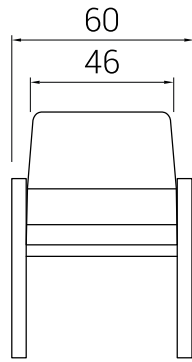
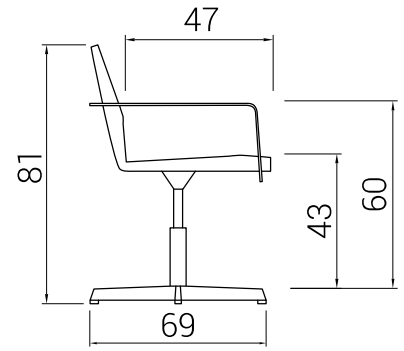
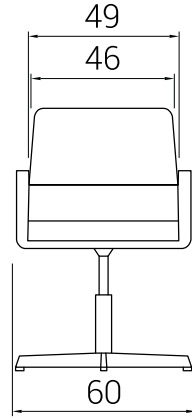
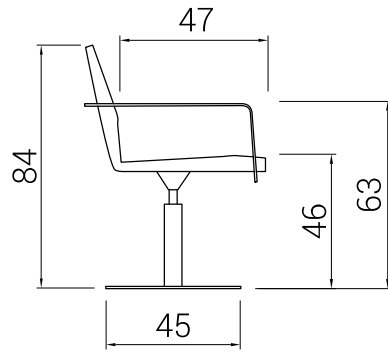
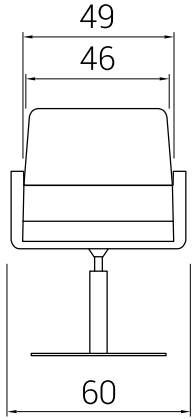


RAL 9010

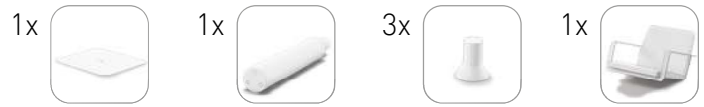


Not suitable for outdoor use.

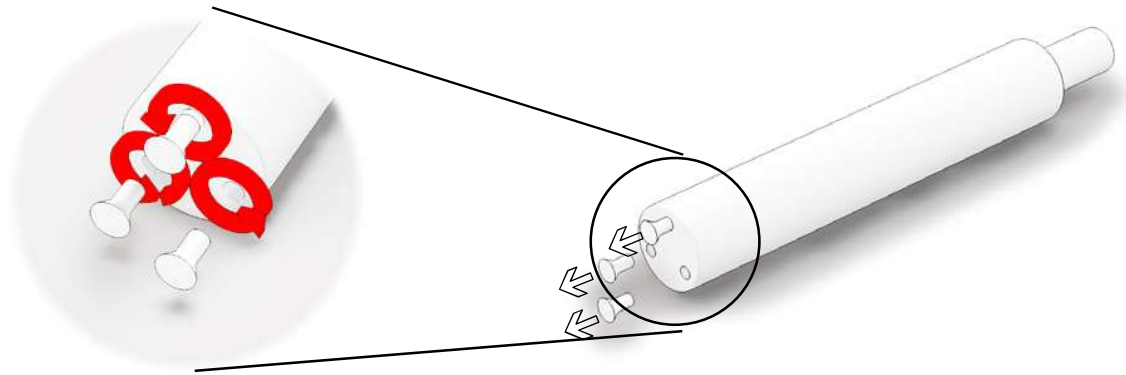
CALMA DIMENSIONS



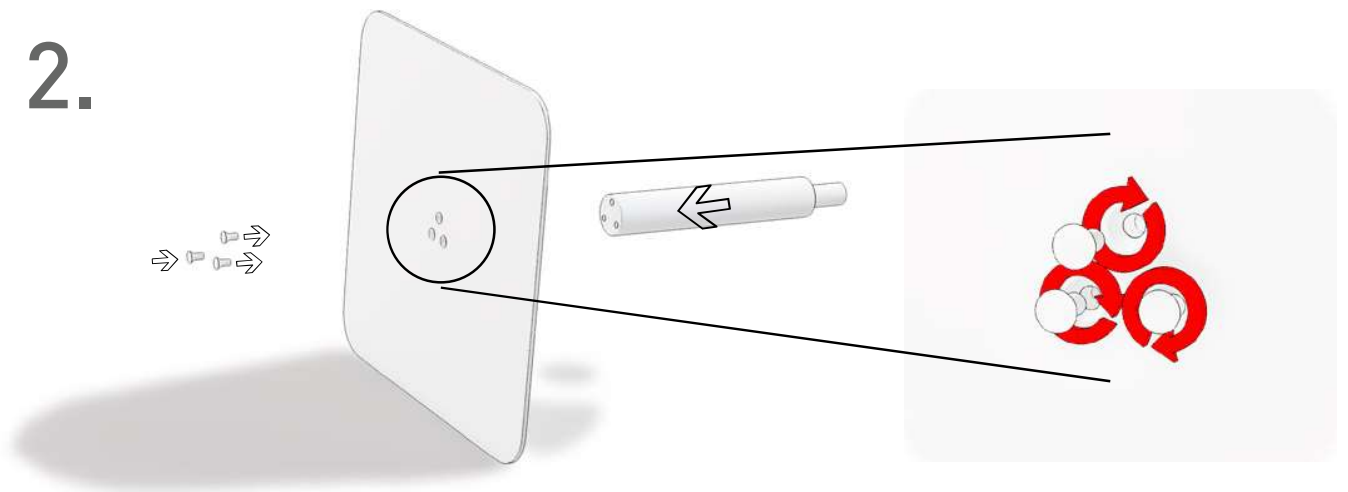
CALMA ASSEMBLY INSTRUCTIONS SWIVEL CHAIR



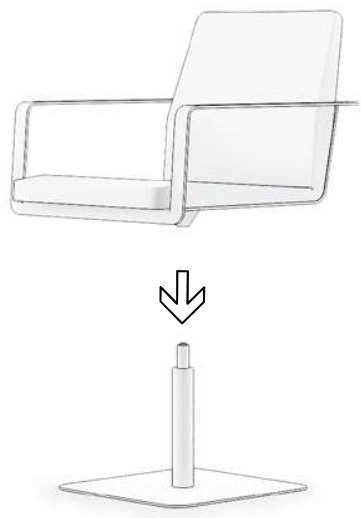
1.



2.



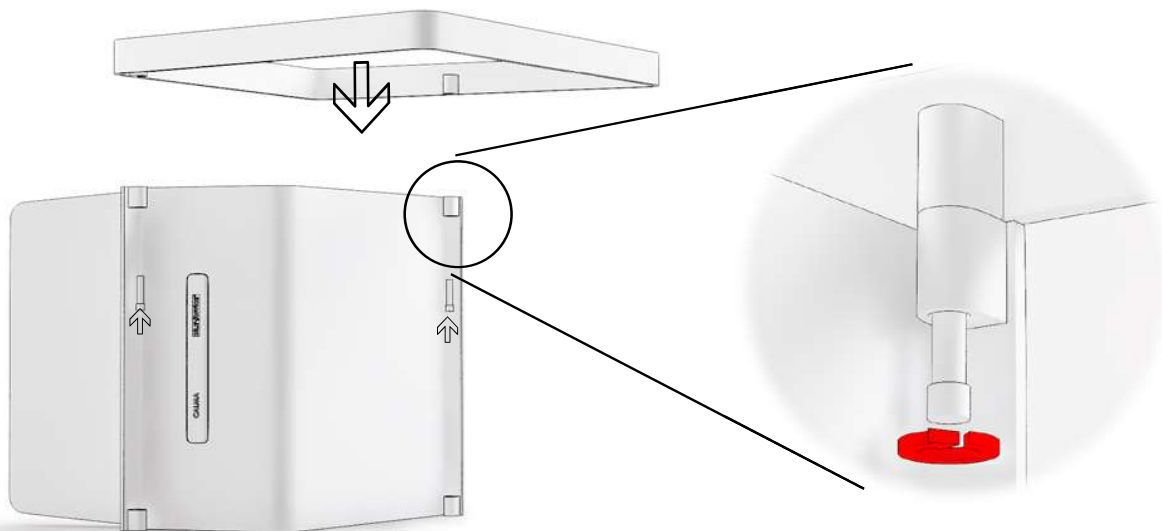
3.



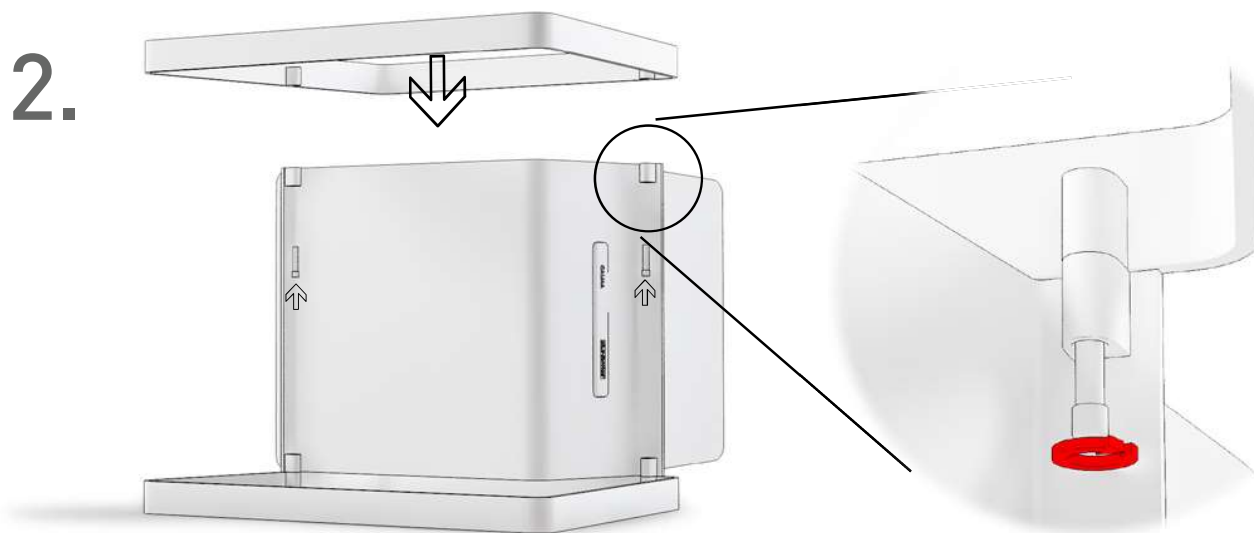
CALMA ASSEMBLY INSTRUCTIONS CANTILEVER



1.











2.



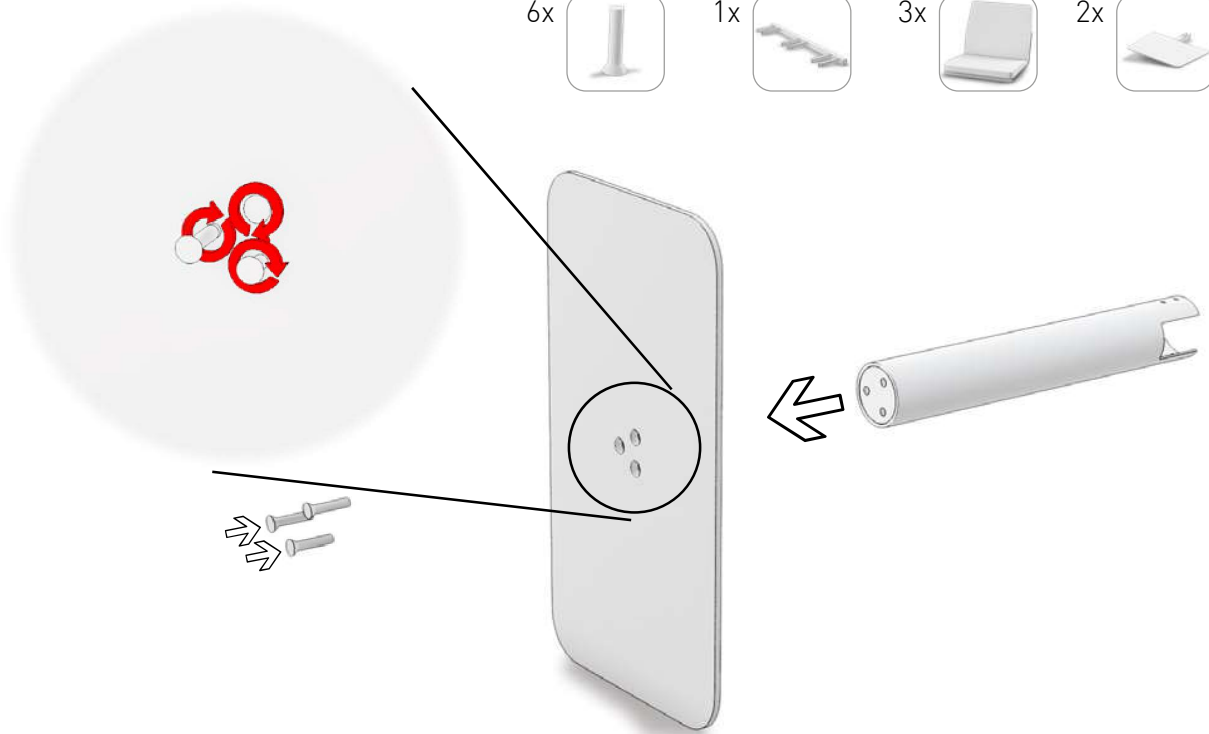
3.



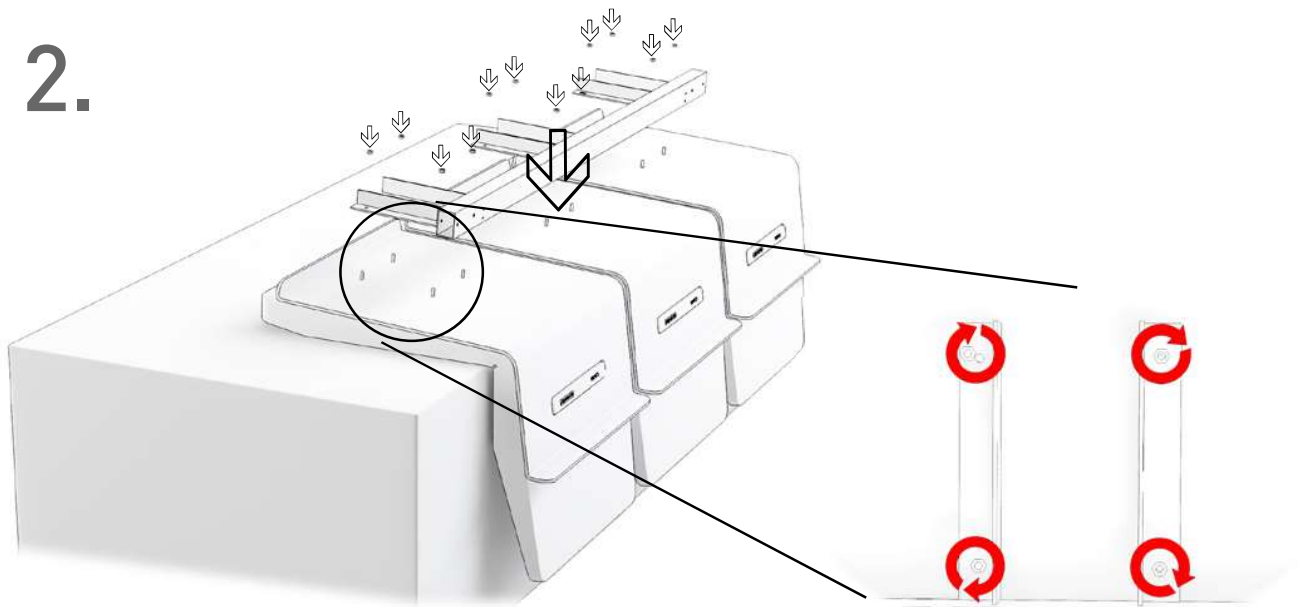
CALMA ASSEMBLY INSTRUCTIONS BENCH

- 2x 
- 2x 
- 16x 
- 12x 
- 6x 
- 1x 
- 3x 
- 2x 

1.

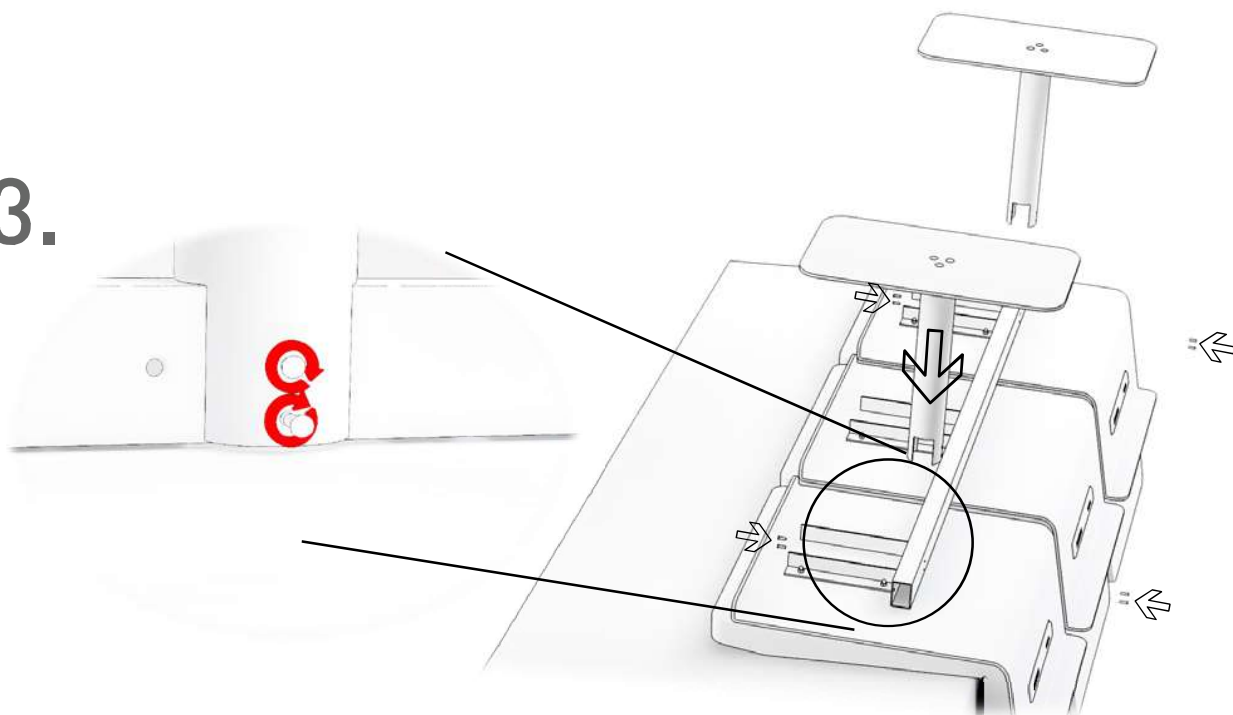


2.

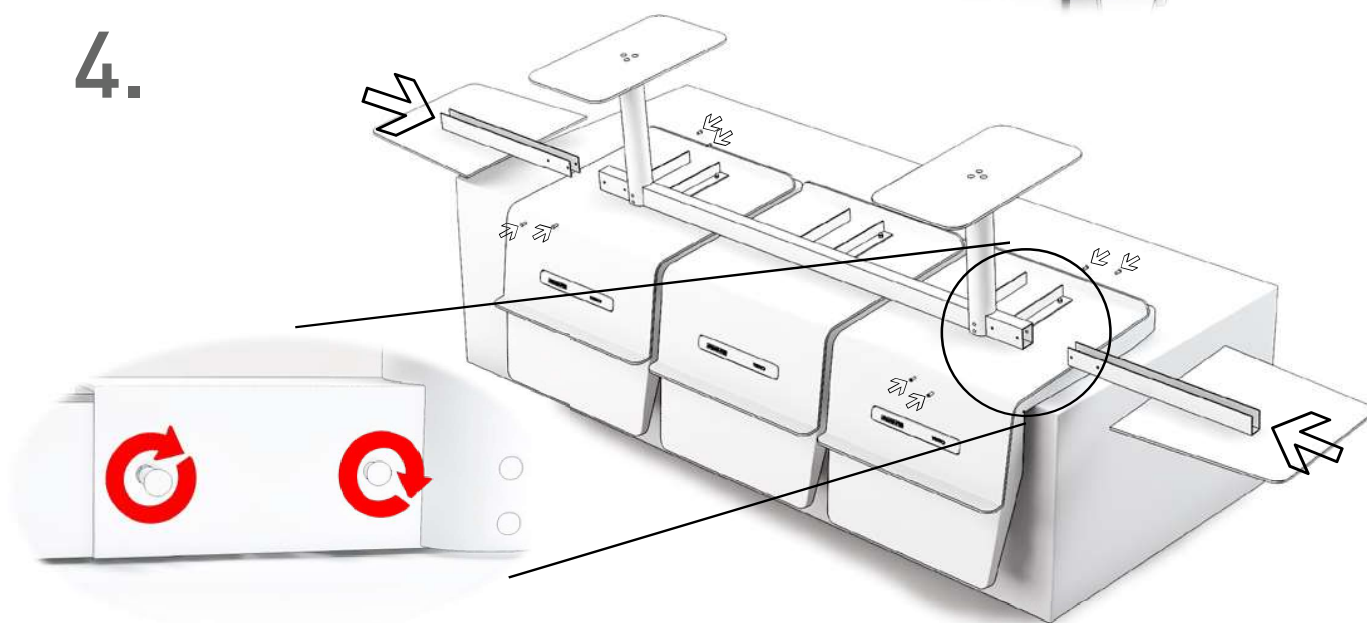


CALMA ASSEMBLY INSTRUCTIONS BENCH

3.



4.



5.

