

## BROOKLYN COLLECTION

SKU:VOMOOM-701-BROOKLYN

Brooklyn bar stool  $\varnothing 45 \times 76$

Brooklyn furniture collection, designed by Eugeni Quitllet, is a **modern and timeless collection** that creates a bridge between the future and the past. Based on straight lines and curves emulating the New York City bridge. Urban design suitable in the best world's spaces. Brooklyn is today, yesterday and tomorrow.



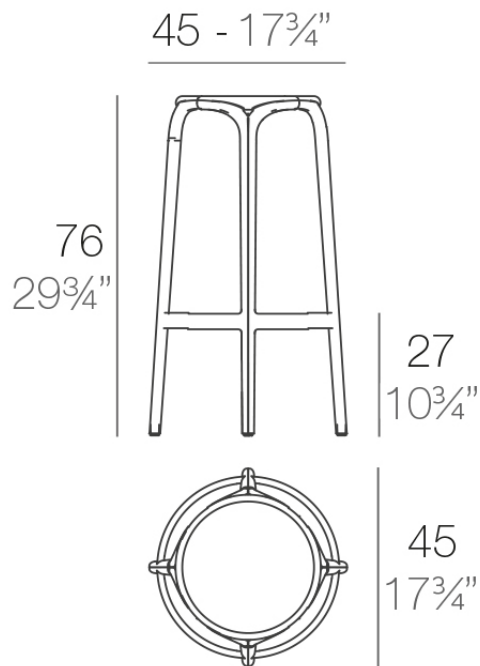
## Info

---

### Description

Made of injected polypropylene with fiber glass. Stackable. Available in several colors. Item suitable for indoor and outdoor use.

Weight: 4.31 Kg



BROOKLYN Taburete Alto 76  
BROOKLYN Bar Stool 29 3/4"

## Brooklyn counter stool ø45x66

Brooklyn furniture collection, designed by Eugeni Quitllet, is a modern and timeless collection that creates a bridge between the future and the past. Based on straight lines and curves emulating the New York City bridge. Urban design suitable in the best world's spaces. Brooklyn is today, yesterday and tomorrow.



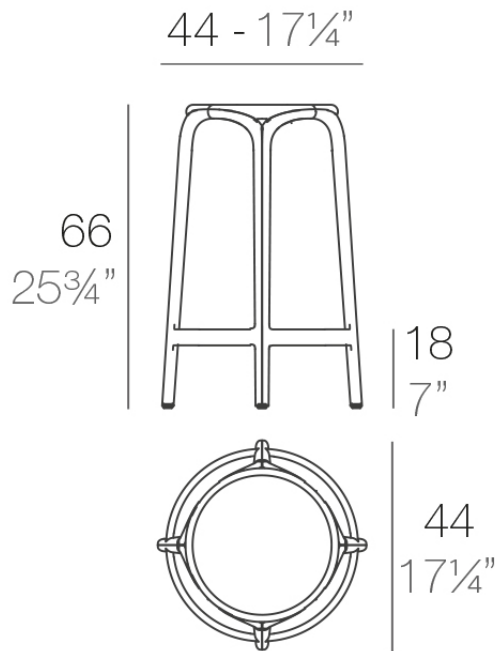
## Info

---

### Description

Made of injected polypropylene with fiber glass. Stackable. Available in several colors. Item suitable for indoor and outdoor use.

Weight: 4.06 Kg



BROOKLYN Taburete Alto 66  
BROOKLYN Bar Stool 25 3/4"

## Brooklyn chair

Brooklyn furniture collection, designed by Eugeni Quitllet, is a modern and timeless collection that creates a bridge between the future and the past. Based on straight lines and curves emulating the New York City bridge. Urban design suitable in the best world's spaces. Brooklyn is today, yesterday and tomorrow.



## Info

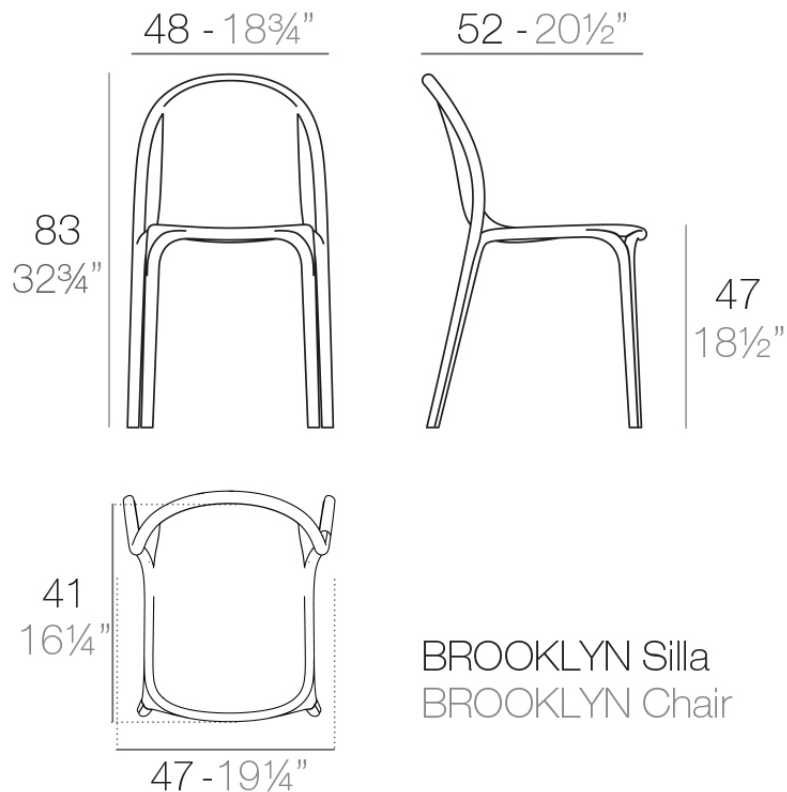
---

### Description

Made from polypropylene and reinforced with fiberglass manufactured by gas injection. Stackable . Available in various colors. Suitable for indoor and outdoor use.

In addition, the “Vondom Revolution” finish means it is made from 100% recycled plastic from the Mediterranean sea.

Weight: 3.93 Kg



# Brooklyn chair with armrests

Brooklyn furniture collection, designed by Eugeni Quitllet, is a modern and timeless collection that creates a bridge between the future and the past. Based on straight lines and curves emulating the New York City bridge. Urban design suitable in the best world's spaces. Brooklyn is today, yesterday and tomorrow.



## Info

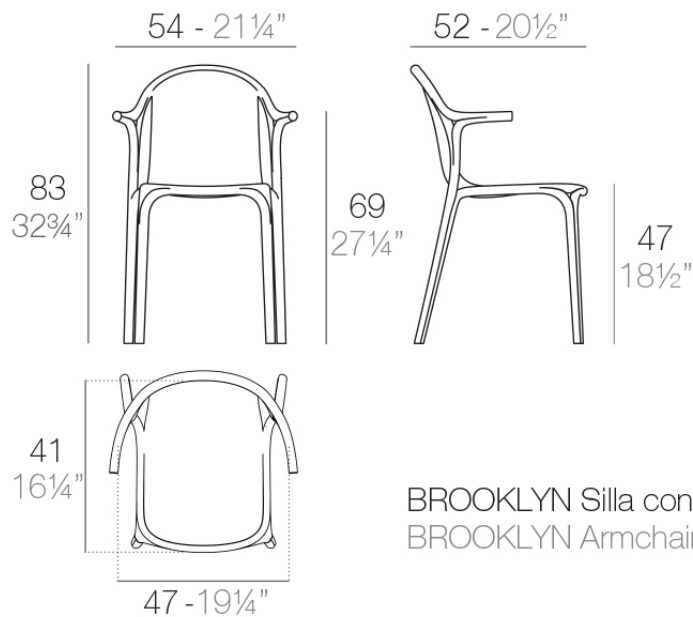
---

### Description

Made from polypropylene and reinforced with fiberglass manufactured by gas injection. Stackable . Available in various colors. Suitable for indoor and outdoor use.

In addition, the “Vondom Revolution” finish means it is made from 100% recycled plastic from the Mediterranean sea.

Weight: 4.98 Kg



BROOKLYN Silla con brazos  
BROOKLYN Armchair