



Inspired by the physiognomy and movement of sharks, Jaime Hayon has created the ALETA collection for Viccarbe.

The collection is designed and created for use in public spaces like restaurants, hotels or offices as well as residential spaces.

Composed of a chair and stool. The subtle details in the structure of the legs and the continuous movement towards its backrest, reflects the personality and character of Jaime Hayon.

JAIME HAYON



Spanish artist-designer Jaime Hayon was born in Madrid in 1974. After studying industrial design in Madrid and Paris he joined Fabrica – the Benetton-funded design and communication academy in Italy- in 1997 where he directed the design department until 2003. Hayon set up his own studio practice in the year 2000 and dedicated himself fully to his personal projects from 2003 onward, today he is one of the most acclaimed creators worldwide.

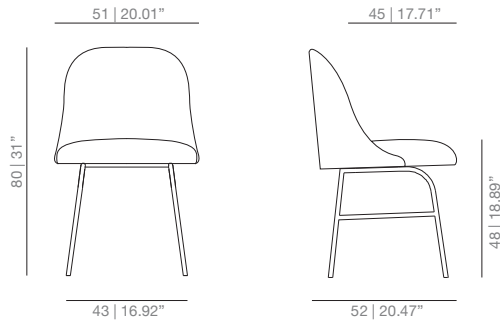
He has created furniture ranges for iconic danish company Fritz Hansen, Magis, Established and Sons, Bisazza, B.D. Barcelona, Se London, Bernhardt Design, Ceccotti and

Moovi. Hayon has designed various lighting fixtures collections for Metalarte and also in collaboration with Swarovski and Baccarat. He has created accessories for Piper Heidsieck, Gaia and Gino and The Rug Company. He designed his first wristwatch collection for a new Swiss watch brand OROLOG which launched in late 2013. These collections have put Jaime at the forefront a new wave of creators that blurred the lines between art, decoration and design and a renaissance in finely-crafted, intricate objects within the context of contemporary design culture.

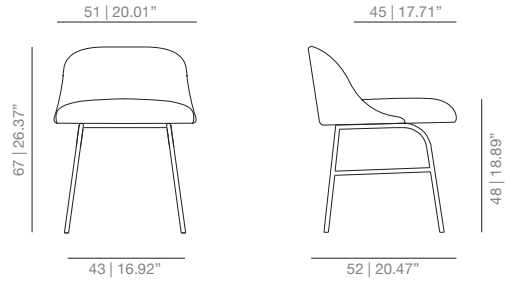
With offices in Italy, Spain and Japan, Hayon's main interest is to find challenges and new perspectives continuously.

DIMENSIONS

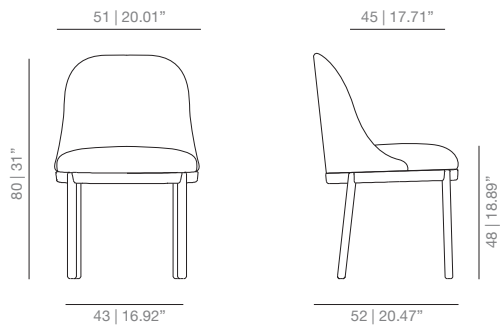
ALSIME metallic base chair



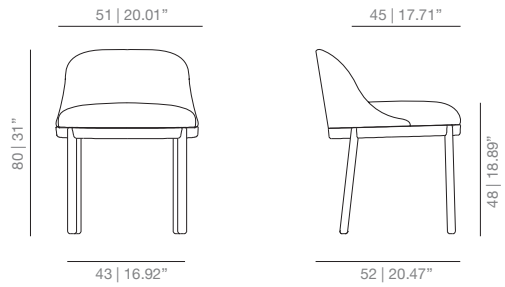
ALSIMEB metallic base low chair



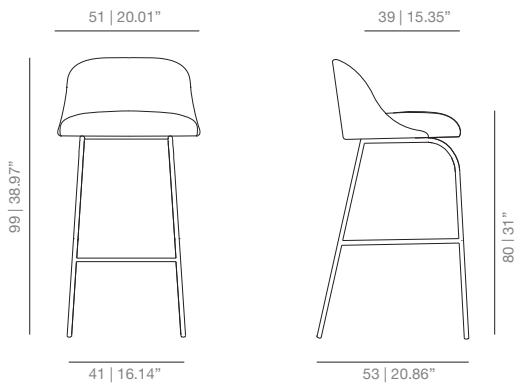
ALSIMA wooden base chair



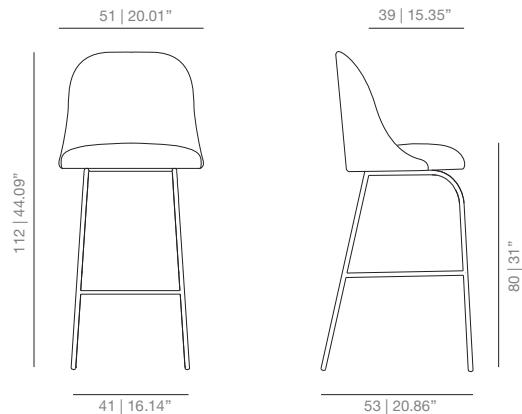
ALIMAB wooden base low chair



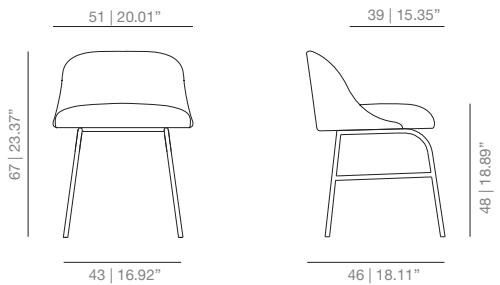
ALTAA stool



ALTAB high stool



ALTAB low stool



TECHNICAL INFO

Moulded plywood seat and backrest covered with expanded polyuretane foam.

Different base options:

METAL BASE: Calibrated steel structure powder coated in thermoreinforced polyester.

WOOD BASE: Base in solid oak wood stained

STOOL: Calibrated steel structure powder coated in thermoreinforced polyester.

FINISHES

UPHOLSTERY

Check upholstery samples.

STRUCTURE

Lacquered



White
RAL 9003



Black
RAL 9005



Blue Altea
RAL 5000



Sand
NCS 3005Y50R

Stained



Matt
Oak



Wenge



Cognac



Ash