

ADAPTAPro

AdaptaPro is active ergonomics: a back with the natural curves of our own backs that helps us to maintain a healthy posture. Can adopt hundreds of different positions, including a negative seating angle. Intelligence for demanding users. The AdaptaPro collection comprises swivel, guest and 4-leg chairs, allowing you to create harmonious and integrated spaces.

PERMANENT
CONTACT
MECHANISM
AND SYNCHRO
INDEPENDENT

STOOL AND
CONFIDENT VERSION

MADE IN THE
EUROPEAN UNION



01.

Backrest

Exterior of the backrest is made of injection-moulded in black or white polypropylene, 100% recyclable. Optional fireproof treatment (UNE 23727/90 / UNE 23721/90 / UNE 23724).

Backrest in high density flexible polyurethane foam (hard) of 25 kg/m³ (EN ISO 845 / BS 5852/10). Possibility to adjust the density of the foam.

02.

Seat

Seat exterior in black or white injected polypropylene, 100% recyclable. Beech plywood interior (MQ cert. 07-175) with 30 kg/m³ of soft high density polyurethane foam (hard) (EN ISO 845 / BS 5852/10).

(Optional): Fireproof foam (UNE EN 1021-2/06 / BS-5852/06) of high density expanded polyurethane 60 kg/m³ (EN ISO 845).

03.

Mechanisms

Synchronised independent (EN 1335/2)

The seat and backrest tilt movement is synchronized on the central axis of the chair, but independently in models that are not monocoque. It allows to adjust the degree of inclination of the backrest and seat separately.

Permanent contact (ANSI-BIFMA X5.1-2002/16)

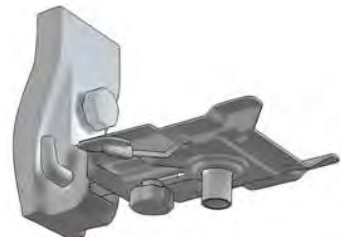
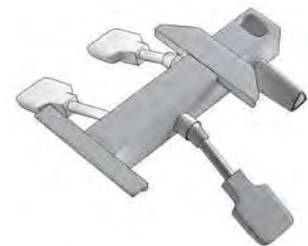
The degree of inclination of the backrest can be adjusted. In addition, when the mechanism is released, thanks to the pressure regulation system, it is possible to adjust the degree of hardness of the movement.



04.

Gas column, bases and wheels

- Lifting using a class 3 black gas column (UNI 9084/02), tested for users weighing up to 120 kg.
 - Polished aluminum base 64 cm diameter.
 - Black nylon base of 64 cm diameter.
 - Desmopan double rubberized 50 mm diameter wheels (LGA QualiTest certification) with black cover.
- The base connection bolt has a circular nylon ring to prevent noise when used on metal or aluminum bases.
- Optional: Anti-slip gliders in black nylon.



ADAPTAPro SWIVEL CHAIR (ARMS / STOOL KIT)

05.

Armrests (optional)



- BR02/BR23: Height adjustable, black or white polypropylene injection molded. Black polyurethane injection molded armrests.

1. Height adjustment 11 cm, with 10 locking positions.



BR05/BR06 : Height adjustable, black or white polypropylene injection molded. Polyamide armrests.

1. Height adjustable by 8 cm, with 9 locking positions.



BR26: 2D, in injected black polypropylene. Polyamide armrests.

1. Height adjustable by 8 cm, with 9 locking positions.
2. Width adjustment between the armrests, up to 3 cm in each direction.



-BR03: 3D, black polypropylene injection. Armrests in black polyurethane injection.

1. Height adjustment 11 cm, with 10 locking positions.
2. Multi-position adjustment of the armrest It can be slid 19 cm forward and backward, and 6 cm to the side, and can adopt any position between these measurements.



-BR04: 4D, black polypropylene injection. Polyurethane armrests.

1. Height adjustment 7 cm, with 6 locking positions.
2. Armrest depth adjustment, 3 cm in each direction.
3. Rotation of the armrest, 30° maximum in each direction.
4. width adjustment between the armrests, up to 3 cm in each direction.

06.

Stool conversion kit

Available in four options:

- Black gas column with chrome-plated steel footrest ring, adjustable in height and black nylon anti-slip gliders.

- Black gas column with chrome-plated steel footrest ring, adjustable in height and double rubberized wheels in Desmopan of 50 mm diameter.

- Black gas column with black nylon footrest ring, adjustable in height and black nylon anti-slip gliders.

- Black gas column with black nylon footrest ring, adjustable in height and double rubberized nylon wheels in Desmopan of 50 mm diameter.



01.

Backrest

Exterior of the backrest is made of injection-moulded in black or white polypropylene, 100% recyclable. Optional fireproof treatment (UNE 23727/90 / UNE 23721/90 / UNE 23724).

Backrest in high density flexible polyurethane foam (hard) of 25 kg/m³ (EN ISO 845 / BS 5852/10).

Possibility to adjust the density of the foam.

02.

Seat

Seat exterior in black injected polypropylene, 100% recyclable. Beech plywood interior (MQ cert. 07-175) with 30 kg/m³ of soft high density polyurethane foam (hard) (EN ISO 845 / BS 5852/10).

(Optional): Fireproof foam (UNE EN 1021-2/06 / BS-5852/06) of high density expanded polyurethane 60 kg/m³ (EN ISO 845).

03.

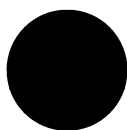
Structure

Made of round steel tube 2 cm in diameter and 1.5 mm thick with black (RAL 9005) epoxy paint. Nylon anti-slip gliders.

04.

Armrests (optional)

Injected nylon fixed.



RAL 9005



ADAPTAPro CANTILEVER SKID WITHOUT ARMS

01.

Backrest

Exterior of the backrest is made of injection-moulded in black or white polypropylene, 100% recyclable. Optional fireproof treatment (UNE 23727/90 / UNE 23721/90 / UNE 23724).
Backrest in high density flexible polyurethane foam (hard) of 25 kg/m³ (EN ISO 845 / BS 5852/10).
Possibility to adjust the density of the foam.

02.

Seat

Seat exterior in black injected polypropylene, 100% recyclable. Beech plywood interior (MQ cert. 07-175) with 30 kg/m³ of soft high density polyurethane foam (hard) (EN ISO 845 / BS 5852/10).
(Optional): Fireproof foam (UNE EN 1021-2/06 / BS-5852/06) of high density expanded polyurethane 60 kg/m³ (EN ISO 845).

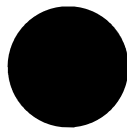
03.

Structure

Made of round steel tube 25 mm in diameter and 2 mm thick, chromed from 12 to 15 microns or with black (RAL 9005) epoxy paint. With non-slip nylon caps.



Chrome



RAL 9005

04.

Armrests (optional)

Injected nylon fixed.



01.

Backrest

Exterior of the backrest is made of injection-moulded in black or white polypropylene, 100% recyclable. Optional fireproof treatment (UNE 23727/90 / UNE 23721/90 / UNE 23724). Backrest in high density flexible polyurethane foam (hard) of 25 kg/m³ (EN ISO 845 / BS 5852/10). Possibility to adjust the density of the foam.

02.

Seat

Seat exterior in black injected polypropylene, 100% recyclable. Beech plywood interior (MQ cert. 07-175) with 30 kg/m³ of soft high density polyurethane foam (hard) (EN ISO 845 / BS 5852/10). (Optional): Fireproof foam (UNE EN 1021-2/06 / BS-5852/06) of high density expanded polyurethane 60 kg/m³ (EN ISO 845).

03.

Structure

Steel tube with square section, side 15 mm and 1.5 mm thick, chrome plated from 12 to 15 microns thick or painted in epoxy gray (RAL 9006). Fixed polyurethane armrest.



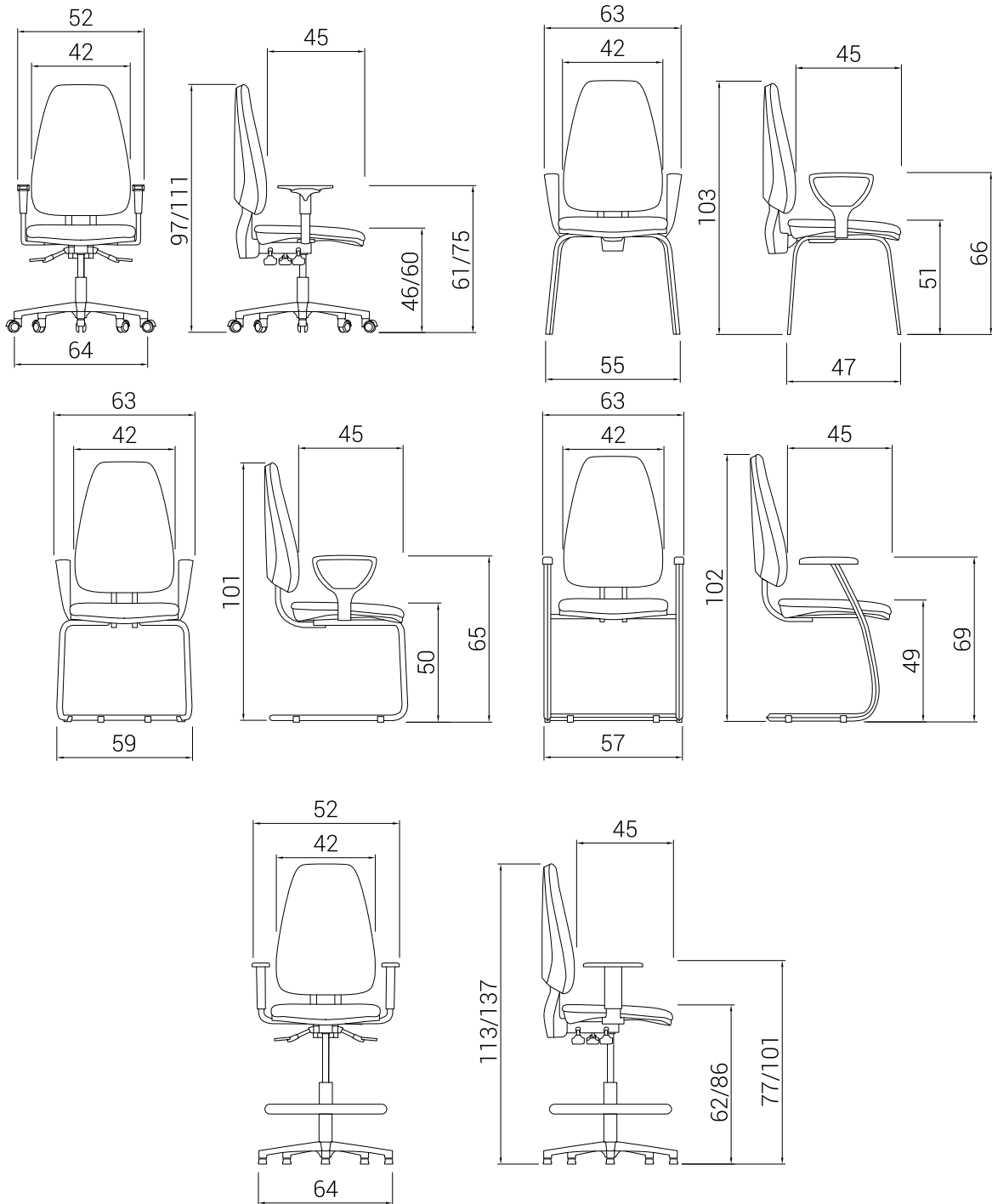
Chrome



RAL 9006



ADAPTAPro DIMENSIONS



ADAPTAP^{ro} SUSTAINABLE



94%

RECYCLABLE

- 70% Metal
- 4% Wood
- 3% Polypropylene
- 8% Other plastic materials
- 15% Others



LOW CHAIR
4 LEGS
Steel tube



CANTILEVER SKID WITHOUT ARMS
Steel tube



CANTILEVER SKID
Steel tube



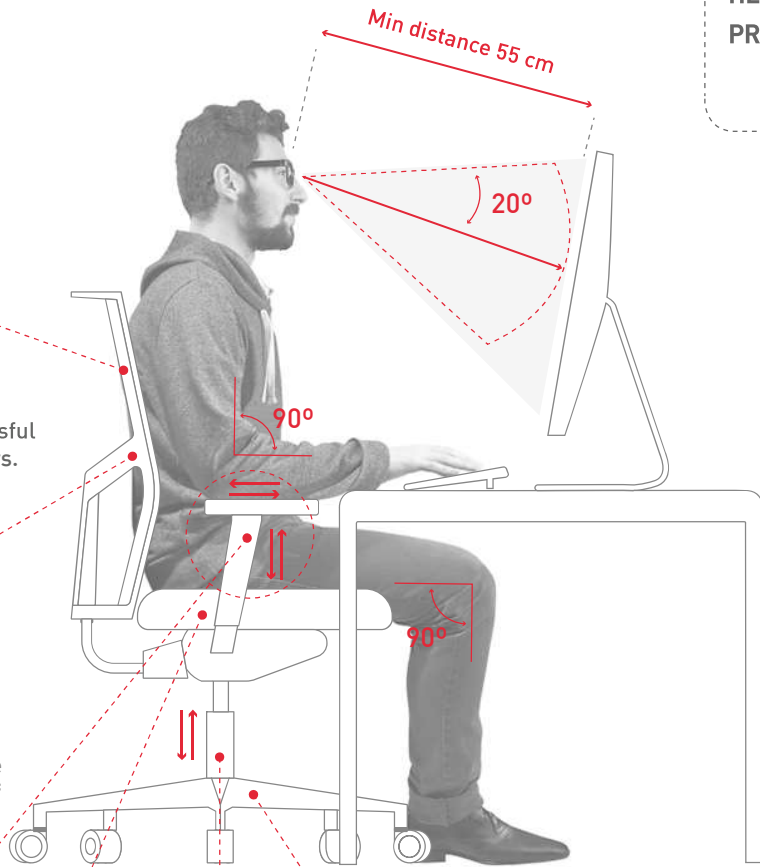
- ✓ 100% recyclable cardboard packaging, made from 90% recycled materials.
- ✓ Dileoffice is certified according to ISO 9001:2015, 14001:2015 and 14006:2020. All phases of the production process, from the receipt of components to the delivery of the finished product, are meticulously managed to minimise the impact on the environment.
- ✓ Dileoffice chairs are assessed by AIDIMEE to certify the compliance of each product with UNE EN standards.

- ✓ If it is necessary to replace the entire chair or any of its parts, the end customer will be informed of the recycling management of each element according to the composition of the materials.
- ✓ Transport is carried out by scheduled routes, giving priority to fuel savings. We use our own transport trucks, always trying to use the maximum volume, and minimising the volume in the packaging.

DILE ERGONOMICS



**GOOD POSTURE
IS ESSENTIAL
TO AVOID
HEALTH
PROBLEMS**



01.
**THE INCLINATION OF THE SEAT
AND THE BACKREST**
A synchronized movement of the seat and backrest, configure a very successful solution for long working or study days.

02.
LUMBAR ADJUSTMENT
The backrest must provide good support for the entire back and be adapted to the lumbar part. The lumbar adjustment mechanism allows the curvature of the chair to be adjusted according to the curvature of the user's back for better support.

03.
ADJUSTABLE ARMRESTS
The forearms should be parallel to the work surface and form a right angle with the arm.

04.
THE STRENGTH OF THE SEAT
The seat must offer firmness and adaptation to the user's physiognomy.

05.
CHAIR HEIGHT ADJUSTMENT
The possibility of adjusting the height allows for the correct posture, with the feet comfortably resting on the floor and the legs in a horizontal position.

07.
FABRIC
Depending on the area of use and climate, one fabric or another should be chosen.

06.
BASES
The base of the chair should have 5 points of support for the wheels on the ground, to facilitate their movement with minimal effort.

“Don't forget to take a break to stretch and move around regularly”

01

BALI (Go1)



02

POLYESTER (Go1)



03

GOYA (Go1)



04

TOUCH LEATHER (Go1)



05

COMBI (Go1)



06

OCEAN (Go2)



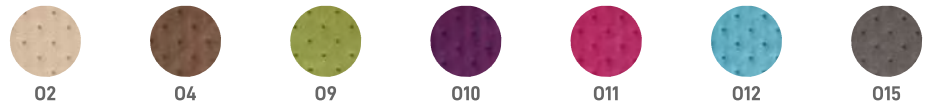
07

ELASTIKA FR (Go2)



08

ORUGA (Go2)



09

NILO (Go2)



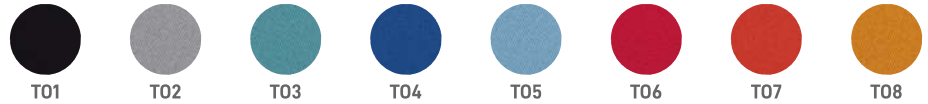
10

MADISON (Go2)



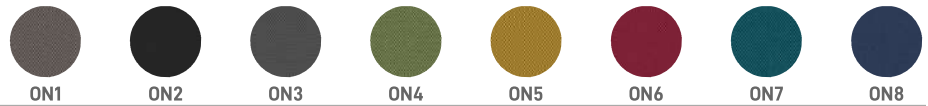
11

TONAL (Go2)



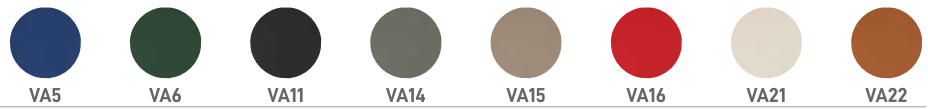
12

ONE (Go2)



13

VALENCIA (Go3)



14

DEKORA (Go3)



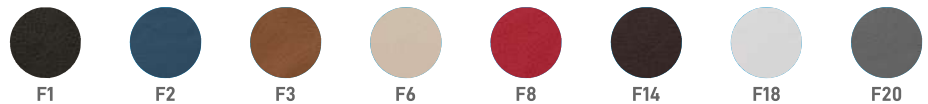
15

FELICITY (Go3)



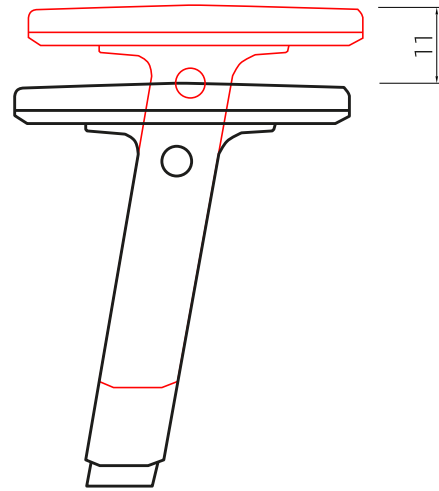
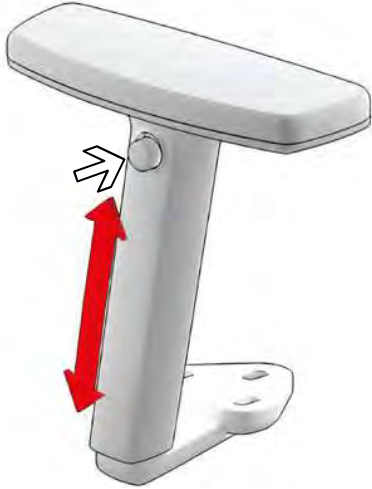
16

LEATHER (Go4)



1. Arms

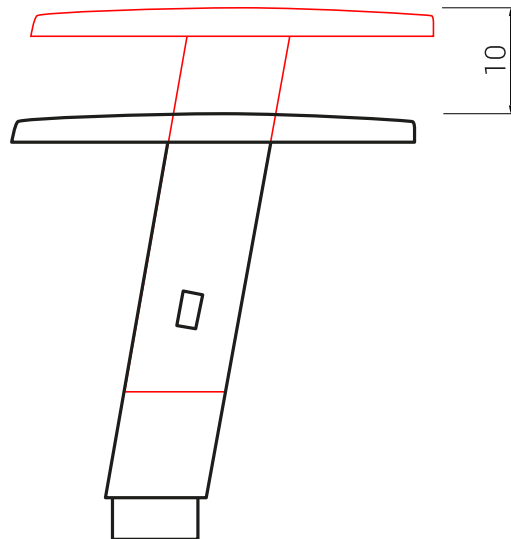
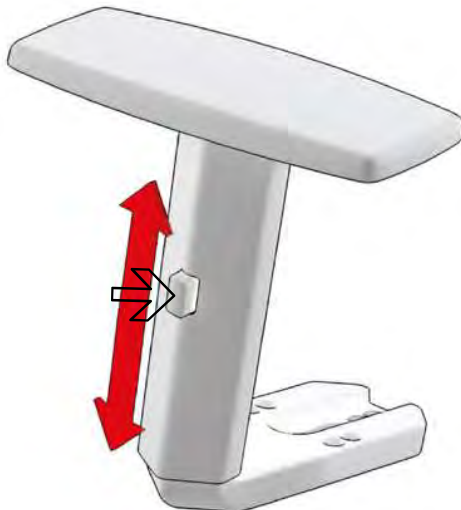
BR02/BR23



HEIGHT ADJUSTMENT

Press the button on the armrest (arrow) and without releasing it, adjust the height of the armrest. Once in the desired position, release the button.

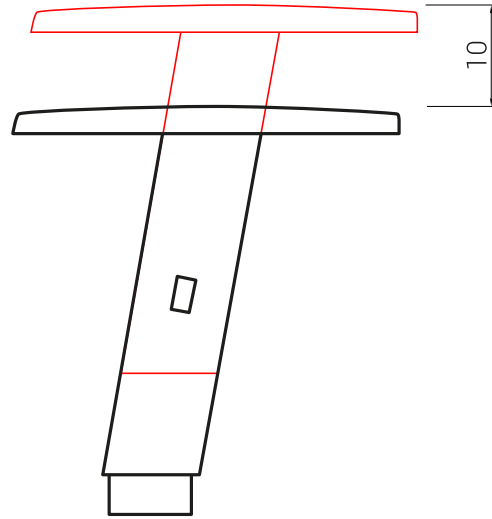
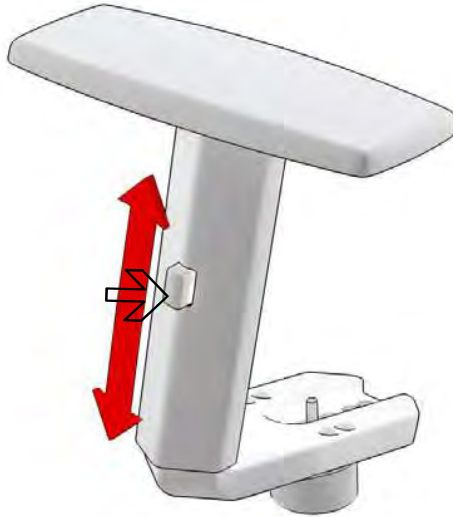
BR05/BR06



HEIGHT ADJUSTMENT

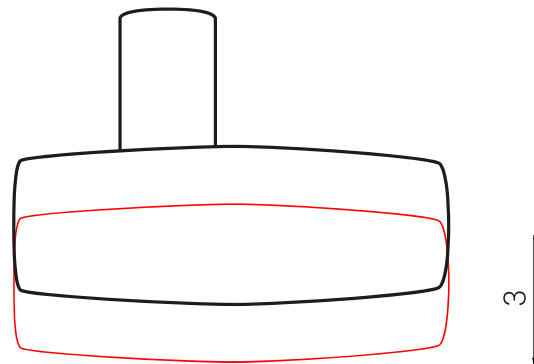
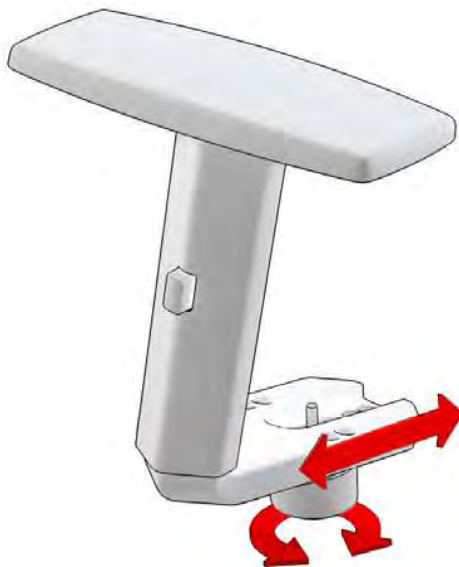
Press the button on the armrest (arrow) and without releasing it, adjust the height of the armrest. Once in the desired position, release the button.

BR26



HEIGHT ADJUSTMENT

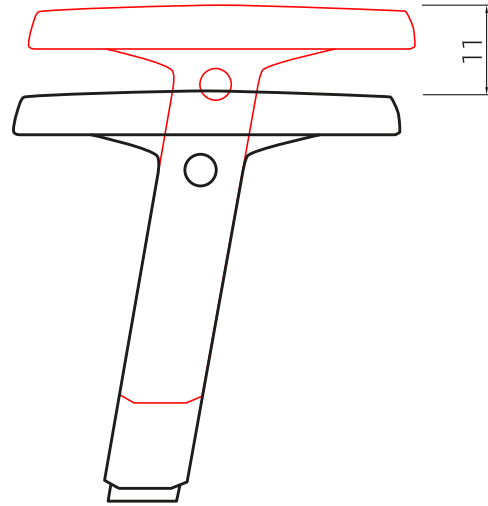
Press the button on the armrest (arrow) and without releasing it, adjust the height of the armrest. Once in the desired position, release the button.



ARMREST WIDTH ADJUSTMENT

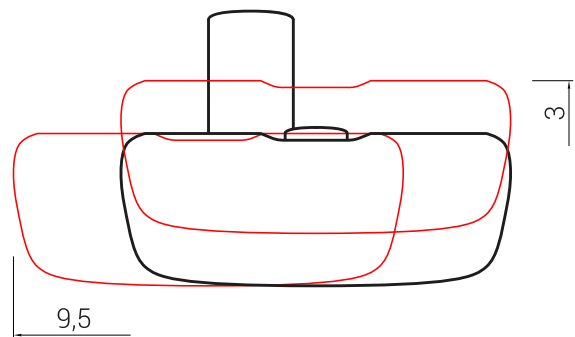
Loosen the screw on the armrest. Move the armrest to the desired position. Tighten the lower screw.

BR03



ADJUSTING THE HEIGHT

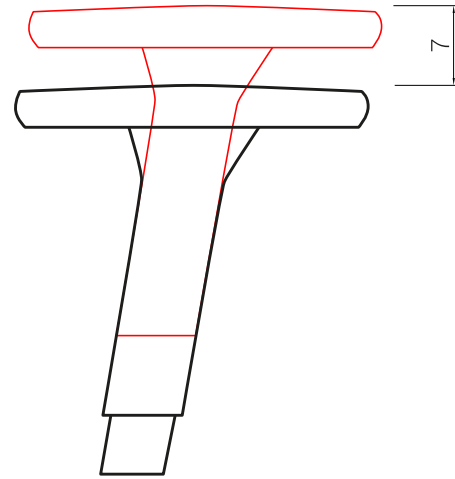
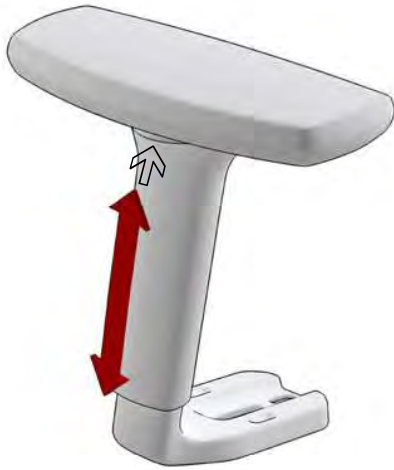
Press the button on the armrest (arrow) and without releasing it, adjust the height of the armrest. Once in the desired position, release the button.



MULTI-POSITION ADJUSTMENT

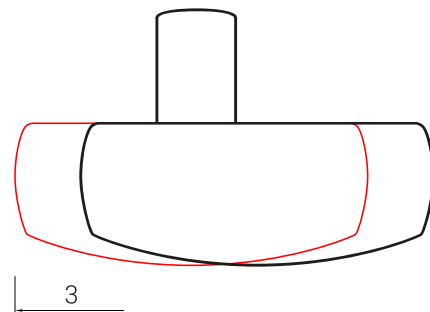
Press the armrest button (arrow) and, without releasing it, adjust the position of the armrest both lengthwise and widthwise. Once in the desired position, release the button. It moves in each direction by 9.5 cm lengthwise and 3 cm widthwise.

BR04



HEIGHT ADJUSTMENT

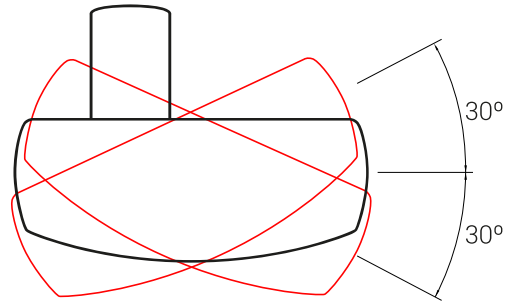
Press the button on the armrest (arrow) and without releasing it, adjust the height of the armrest. Once in the desired position, release the button.



ADJUSTING THE DEPTH OF THE ARMREST

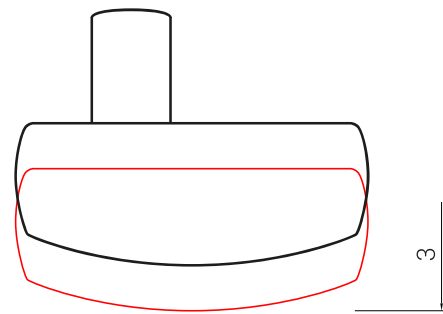
By pressing firmly on the armrest, the armrest is pushed forward or backward to the desired position. It moves 3 cm in each direction.

BR04



ARMREST ROTATION

By pressing firmly on the armrest, a force is produced by turning the armrest inward or outward until it is in the desired position.

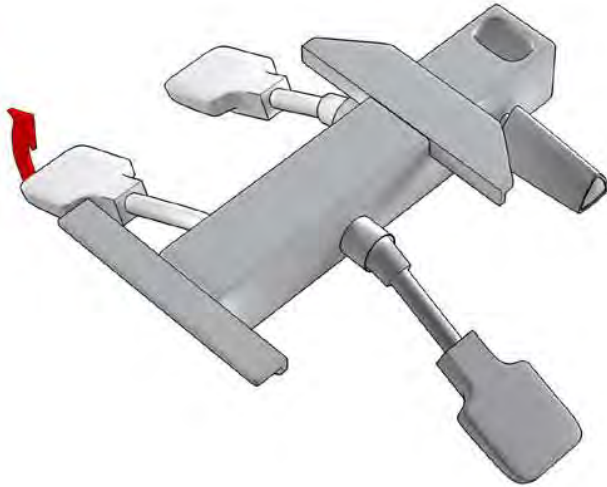


ARMREST WIDTH ADJUSTMENT

Loosen the screw on the armrest. Move the armrest to the desired position. Tighten the lower screw.

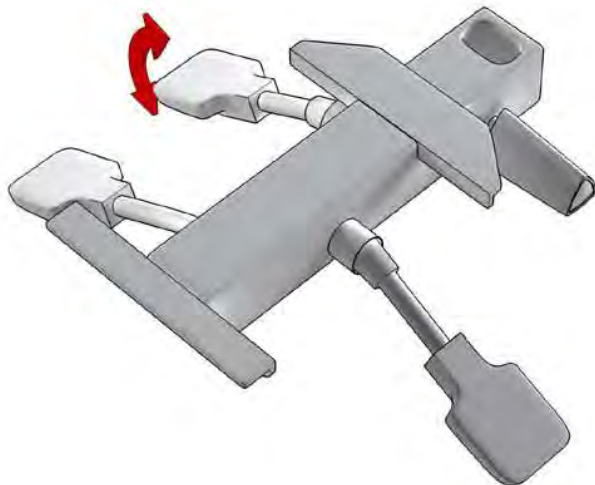
2. Mechanism

SYNCHRONISED INDEPENDENT MECHANISM



GAS LIFT

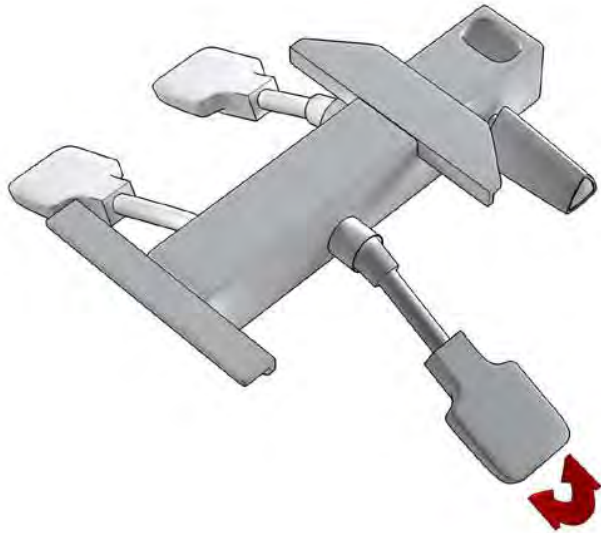
By lifting the handle we unlock the gas column. Without weight the chair lifts up. With the user seated, the chair goes down. Once the handle is released, the gas column is blocked again.



BACKREST INCLINATION

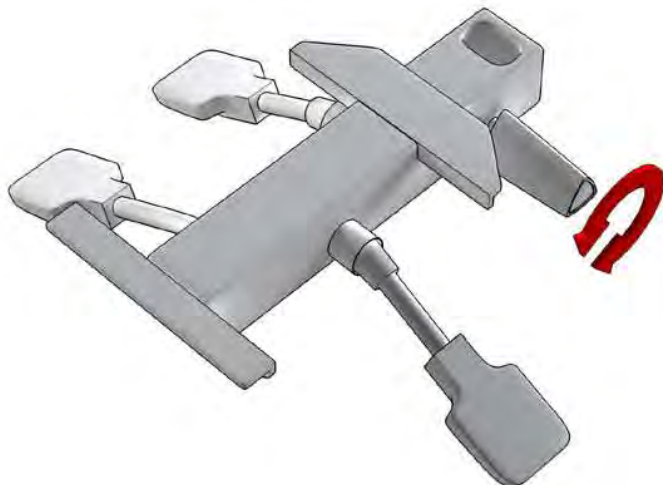
Raise the lever to release the backrest. Adjust the backrest to the desired angle of inclination. By placing the handle in the initial position we lock the backrest.

SYNCHRONISED INDEPENDENT MECHANISM



SEAT INCLINATION

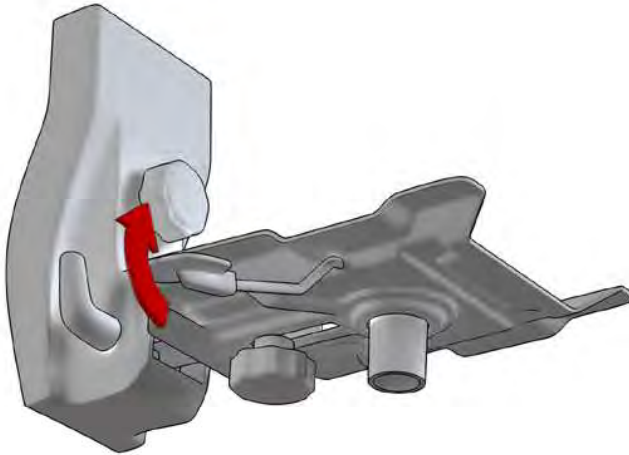
Raise the lever to release the seat. Adjust the seat to the desired angle of inclination. By placing the handle in the initial position we lock the seat.



BACKREST HEIGHT

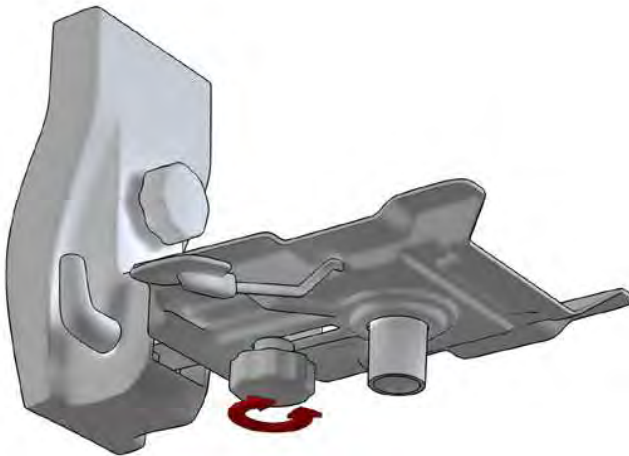
On the right side of the mechanism's back, there is a handle. By loosening the handle and turning it counter-clockwise, the backrest is released. Adjust the height of the backrest and tighten the handle by turning it clockwise to fix the backrest.

PERMANENT CONTACT MECHANISM



GAS LIFT

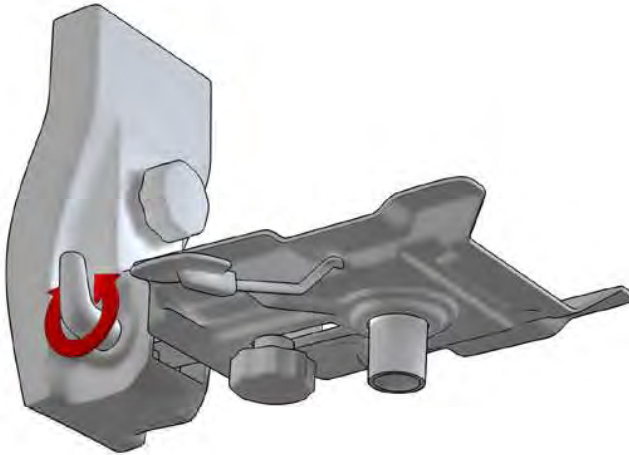
By lifting the handle we unlock the gas column. Without weight the chair lifts up. With the user seated, the chair goes down. Once the handle is released, the gas column is blocked again.



SEPARATION OF THE BACKREST

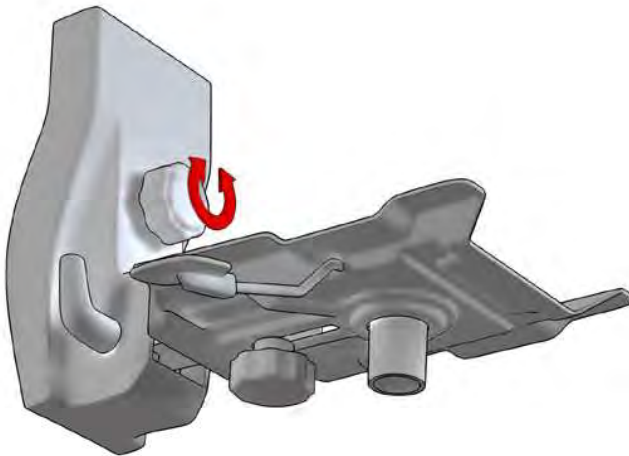
On the bottom of the mechanism, there is a screw. By loosening the screw and turning it counter-clockwise, the backrest is released. Adjust the backrest to the desired position and tighten the screw clockwise to fix the backrest.

PERMANENT CONTACT MECHANISM



BACKREST INCLINATION

On the right side of the mechanism's back, there is a handle. By loosening the handle and turning it counter-clockwise, the backrest is released. Adjust the inclination of the backrest and tighten the handle by turning it clockwise to fix the backrest.



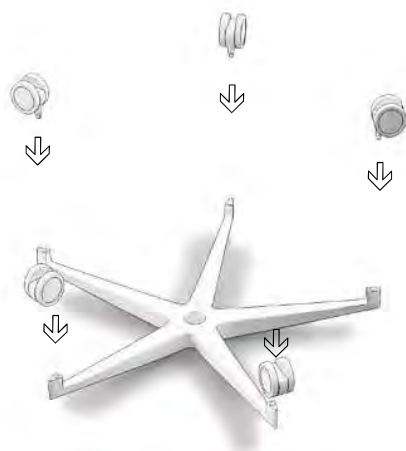
HEIGHT OF THE BACKREST

On the bottom of the mechanism, there is a screw. By loosening the screw and turning it counter-clockwise, the backrest is released. Adjust the height of the backrest and tighten the screw clockwise to fix the backrest.

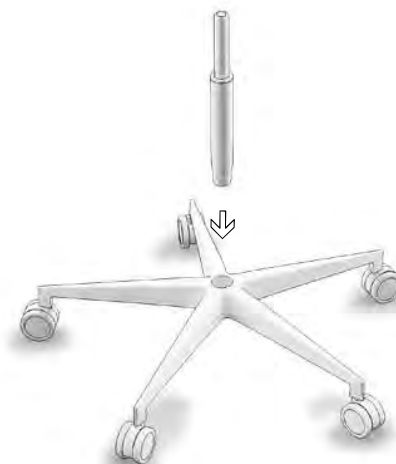
ADAPTAPro ASSEMBLY INSTRUCTIONS SYNCHRONISED INDEPENDENT MECHANISM



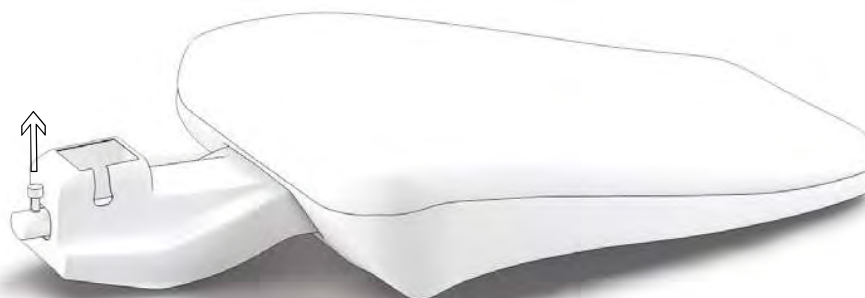
1.



2.



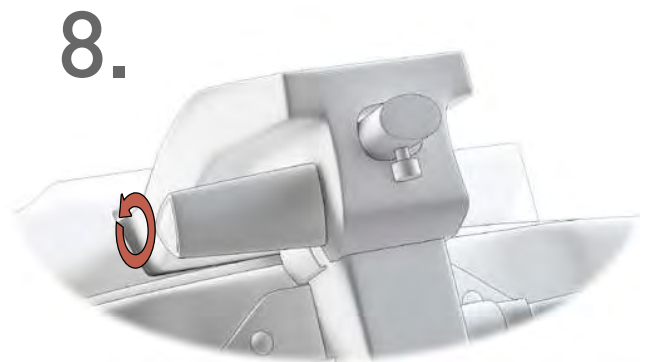
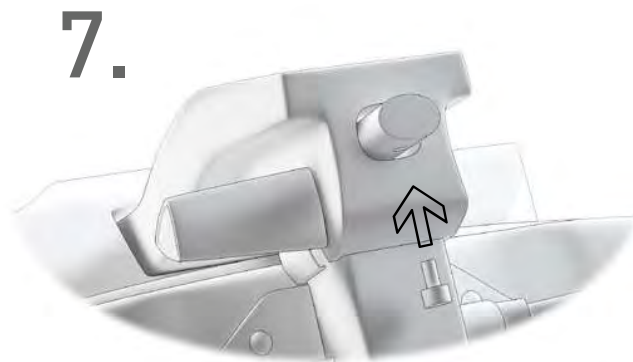
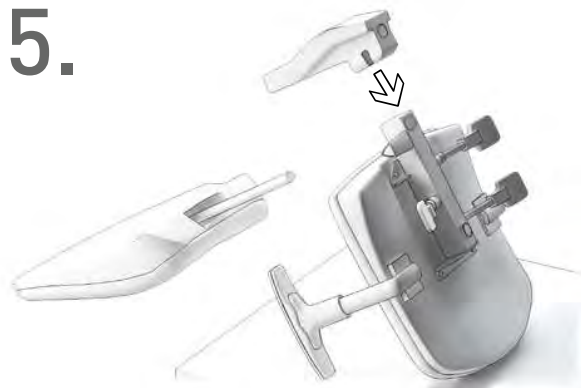
3.



4.



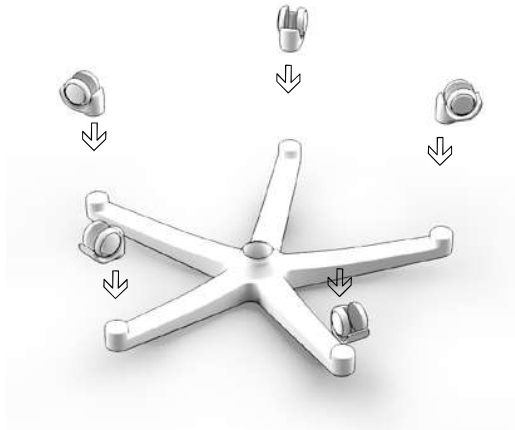
ADAPTAPro
ASSEMBLY INSTRUCTIONS
SYNCHRONISED INDEPENDENT MECHANISM



ADAPTAPro ASSEMBLY INSTRUCTIONS PERMANENT CONTACT MECHANISM



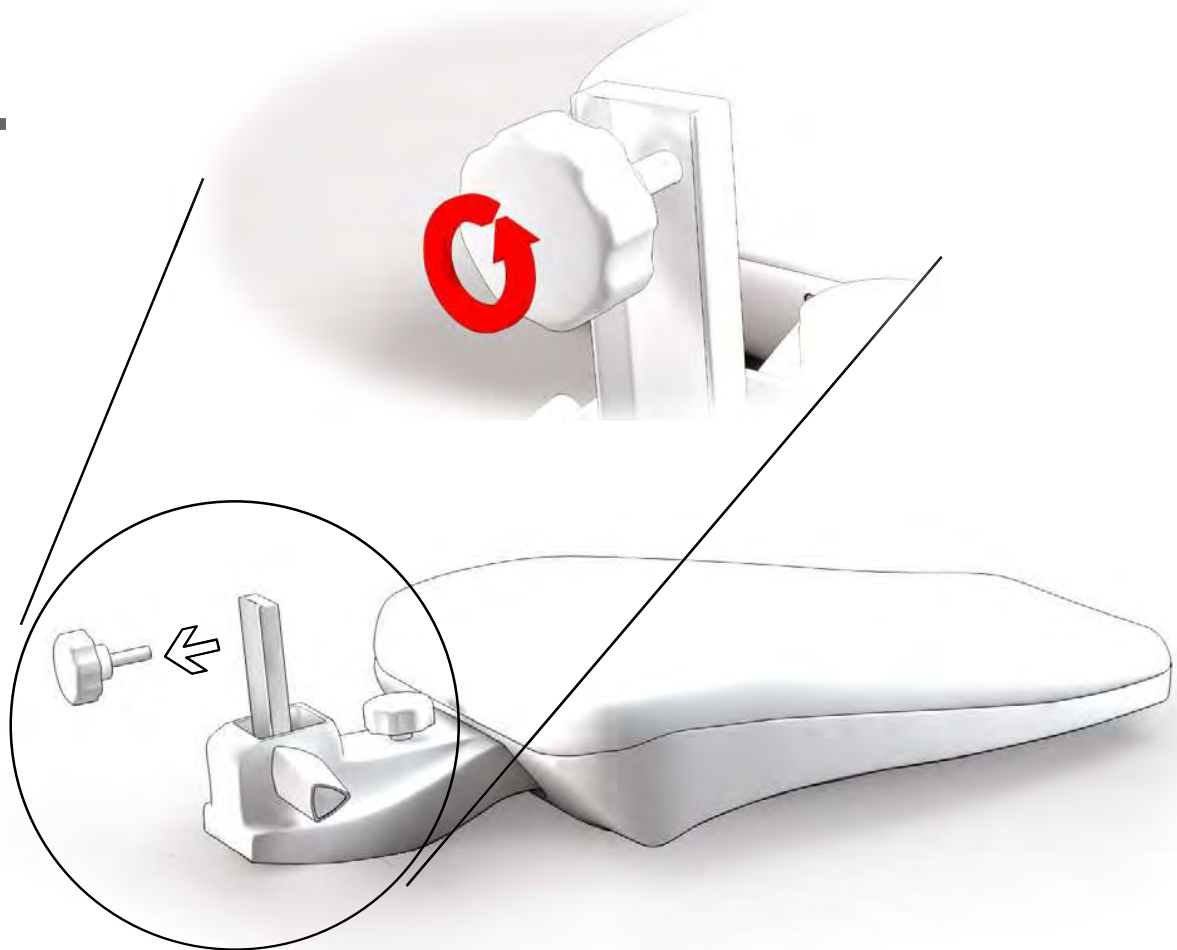
1.



2.



3.



ADAPTAPro
ASSEMBLY INSTRUCTIONS
PERMANENT CONTACT MECHANISM

