



ACE is a very attractive high back armchair that has tremendous visual lightness, which looks wonderful at home and in commercial installations.

Aware that there was no other armchair combining a decent, comfortable support with such a light, slender design, Jean-Marie Massaud has managed to carve a unique niche market.

New solid oak base for our ACE armchair.

With or without arms, the ACE wood is going to be a contemporary benchmark thanks to the subtlety and the lightness of its shapes along with its extraordinary comfort.

Different fabrics can be mixed and matched on the seat and back as well as zip and base colours.

A new icon for the home or contract use in timeless and pleasant places.

## JEAN-MARIE MASSAUD



Jean-Marie Massaud was born in Toulouse (France) in 1966.

He graduated from Les Ateliers, Ecole Nationale Supérieure de Création Industrielle, in Paris, France, in 1990. He has since worked for various design studios in Asia and France. In 1994, he established his own studio in Paris, specialising in industrial and interior design for European and Japanese companies such as Yves Saint Laurent, Renault, Cappellini and Magis. At present, he develops, together with Daniel Pouzet, architectural projects for both public and private clients.

At the Ecole Nationale Supérieure des Arts Décoratifs in Paris, Massaud's classes present his contextual approach regarding the various facets of design, focusing on the individual as a quest for the essential. His work transmits magical and vital emotions.

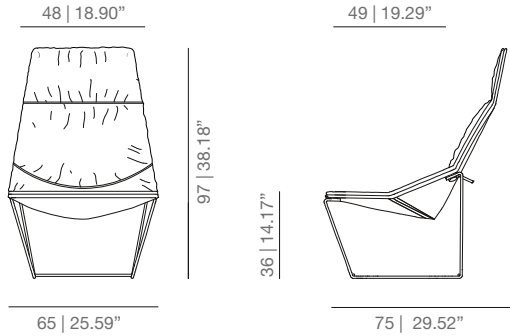
Several of his creations have earned distinctive awards, while others are included in the collections of design museums in Amsterdam, Chicago, London, Lisbon, Paris and Zurich.

At present, Jean-Marie Massaud works for companies such as Armani, Cacharel, Cappellini, Moroso, Lancôme, Magis, Yves Saint-Laurent and VICCARBE.

## DIMENSIONS

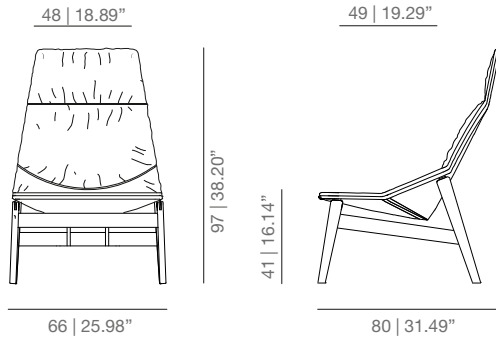
### STEEL BASE ARMCHAIR

SKU:VIMOB-402-ACASOFT



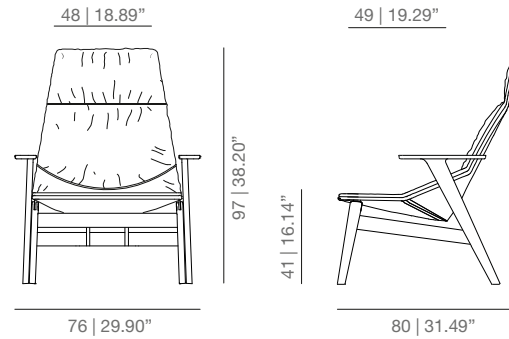
### WOOD BASE ARMCHAIR

SKU:VIMOB-402-ACAM



### WOOD BASE AND ARMS

SKU:VIMOB-402-ACAMB



## TECHNICAL INFO

### ACE

Base and internal frame of calibrated steel tube powder coated in thermoreinforced polyester in white and black.  
 Shape-holding expanded polyurethane foam.  
 Polyester fibre covering and stretch interlining.  
 Zip-around closure.  
 Fabric or leather.  
 Glide.

### ACE WOOD

Base in solid oak wood stained or lacquered beech with the finishes of our collection.  
 Internal frame of calibrated steel tube powder coated in thermoreinforced polyester.  
 Shape-holding expanded polyurethane foam.  
 Polyester fibre covering and stretch interlining.  
 Zip-around closure.  
 Fabric or leather.  
 Glide.