

Vaya Cove LP, White & Mono

Vaya Cove LP is a reliable and cost-effective light fixture providing white or mono color light for interior use. Designed for cove and accent lighting applications and with two lengths, two standard white CCTs and standard 24V DC power, this product is versatile and easy to use. Vaya Cove LP works as on/off product or with any standard current sinking 0-10V/1-10V controller.



Key Features

- Available in standard 3000K and 4000K
- Custom options: 2700K, 5000K, Red, Green, Blue, Amber
- Flat and angled mounting clips (Energy Star® certified)
- Low Voltage, 24V DC input power
- Standard 0-10V dimming control compatible
- 3-Year Warranty

Product Data

Height	0.85 in (21.5 mm) (including surface mount clip)	
Width	1.25 in (32 mm) (including surface mount clip)	
Lengths	0.3 m (12 in)	1.2m (48 in)
Mounting	Removable mounting clips for flush mounting and 45deg angled mounting clips (Energy Star rated)	
Source	High-brightness White, Red, Green, Blue or Amber LEDs	
Beam Angle	110°	
Luminous Flux	250 lm	1,000 lm
CRI	80 Ra	
Efficacy (System)	60 Lumens / Watt	
Lumen Maintenance	White: 50,000 hrs L ₇₀ at 25°C Mono: 50,000 hrs L ₅₀ at 25°C	
Luminous Flux (Red)	95 lm	380 lm
Luminous Flux (Green)	120 lm	480 lm
Luminous Flux (Blue)	35 lm	150 lm
Luminous Flux (Amber)	75 lm	300 lm
Housing / Lens	Extruded polycarbonate, white housing with clear lens	
Weight	90 g (0.2 lbs)	360 g (0.8 lbs)
Leader Cables	2 m (6.5 ft) and 8 m (25 ft)	
Jumper Cables	0.3 m (1 ft) and 5 m (15 ft)	
Control	0-10V/1-10V dimming (IEC 60929) via Philips Xitanium Dimming Module	
Input Power	24V DC	

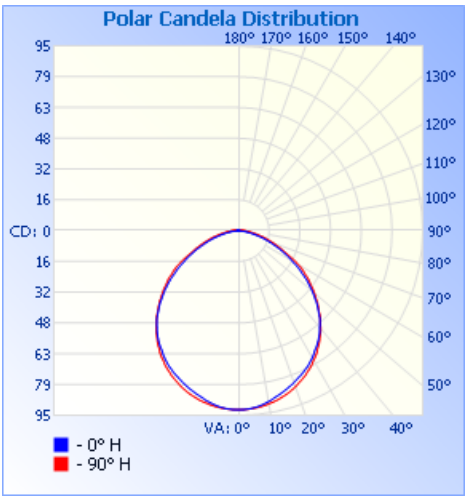


Power Consumption	3.75 W	15 W
Temperature Range	-20°C to 40°C (-4°F to 104°F) operating temperature	
Protection Rating	Damp locations, IP40, IK08	
Certifications	UL / cUL, FCC Class B, CE, CB	
Warranty	3 Years	

Photometrics (Per IESNA LM-79):

Vaya Cove LP, 0.3m (12 in), 3000K

Polar Candela Distribution



Illuminance at a Distance

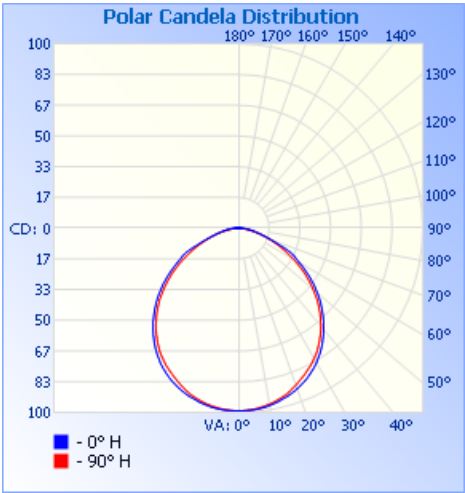
	Center Beam LUX	Beam Width	
1.3M	51.79 LUX	3.4M	3.6M
2.7M	12.95 LUX	6.9M	7.1M
4.0M	5.75 LUX	10.3M	10.7M
5.3M	3.24 LUX	13.8M	14.3M
6.7M	2.07 LUX	17.2M	17.9M
8.0M	1.44 LUX	20.6M	21.4M

■ Vert. Spread: 104.4° ■ Horiz. Spread: 106.5°

Im = 3.28ft

Vaya Cove LP, 0.3m (12 in), 4000K

Polar Candela Distribution



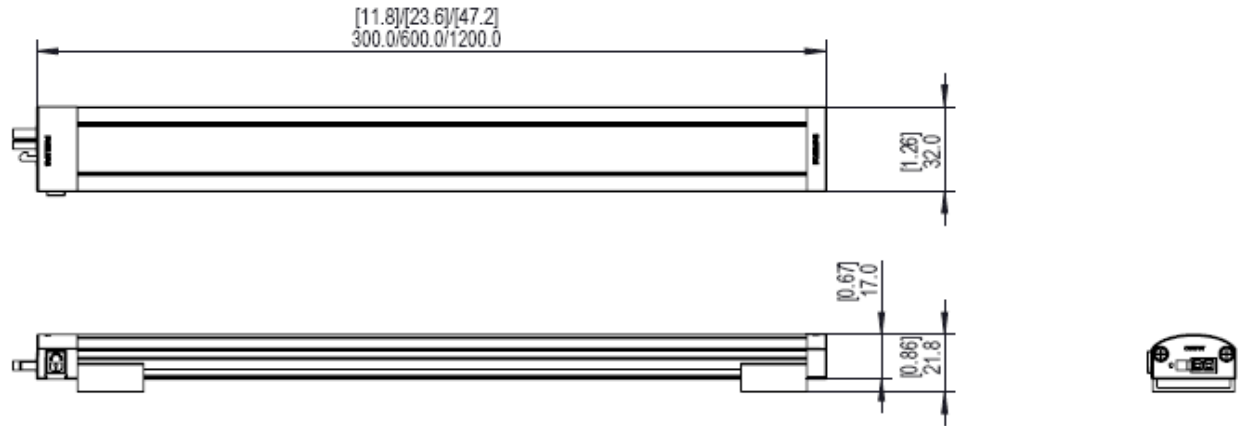
Illuminance at a Distance

	Center Beam LUX	Beam Width	
1.3M	55.68 LUX	3.7M	3.5M
2.7M	13.92 LUX	7.4M	6.9M
4.0M	6.19 LUX	11.0M	10.4M
5.3M	3.48 LUX	14.7M	13.8M
6.7M	2.23 LUX	18.4M	17.3M
8.0M	1.55 LUX	22.1M	20.7M

■ Vert. Spread: 108.1° ■ Horiz. Spread: 104.6°

Im = 3.28ft

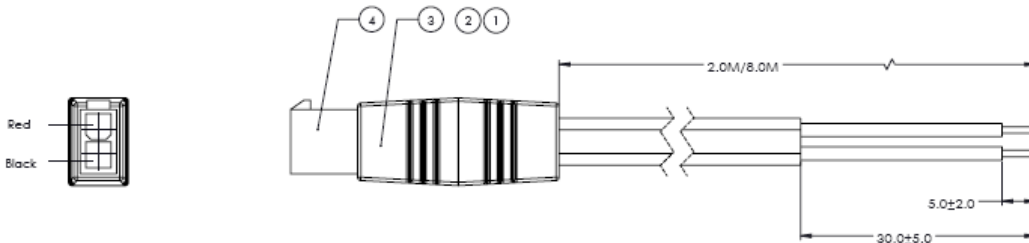
Light Fixture Dimensions:



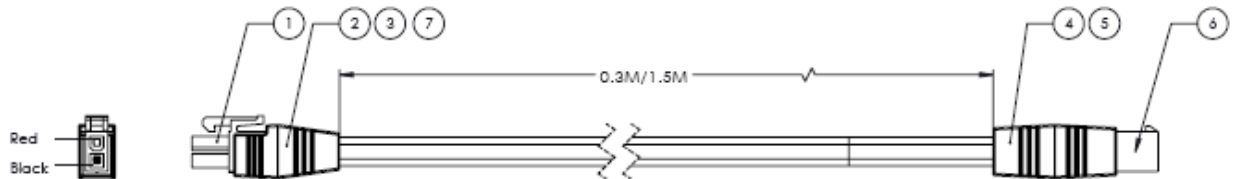
With optional 45deg mounting bracket (included):



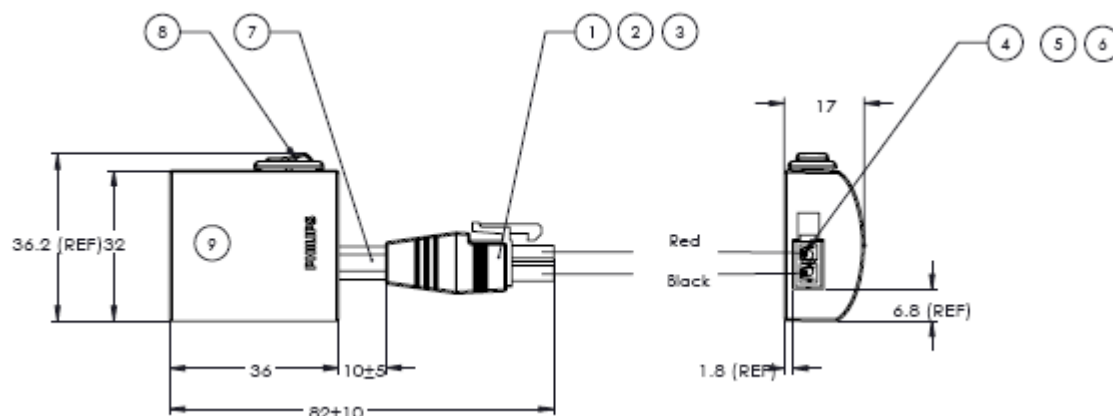
Power Leader Cable Dimensions:



Power Jumper Cable Dimensions:



On-Off Rocker Switch Module:



Maximum Connected Lengths¹

Fixture Type	Power Supply Wattage (24V DC)	Max. Number of 0.3 m Fixtures	Max. Number of 1.2 m Fixtures
White & Mono	100W	24	6

1. Maximum connected lengths assume little or no voltage drop in power leader and jumper cables. For installations with long leader and jumpers, wire should be sized to prevent voltage drop and fixture count should be reduced.

Recommended Power Supplies:

Philips Xitanium

Wattage	Input Voltage	Philips 12 NC	Item Number	Certification
100W	120-277V	9137 102 99702		UL (Bulk Pack)
100W	100-240V	9137 006 21091		CE (Bulk Pack)
100W	120-277V	9124 001 30191	309-000001-00	UL, CE (Individual Pack)

NEMA 3R Enclosure

Item Name	Description	Philips 12NC	CK Item Number
ACCESSORY, POWER SUPPLY ENCLOSURE (NEMA3R, 15x3)	Electrical Enclosure compliant to NEMA3R and UL-outdoor ratings, 15"x3"	913710841202	320-000001-00 (US and Canada only)

Ordering Codes:

CCT	Length	Philips I2NC	Item Number	Certification
3000K	0.3 m (12 in)	910503704589	350-000012-06	UL/cUL, CE
3000K	1.2 m (48 in)	910503704591	350-000012-08	UL/cUL, CE
4000K	0.3 m (12 in)	910503704592	350-000012-09	UL/cUL, CE
4000K	1.2 m (48 in)	910503704594	350-000012-11	UL/cUL, CE

¹Custom options include 0.15m (6in), 0.6m (2ft) versions as well as 2700K, 5000K, Red, Green, Blue, Amber versions

Cables:

Product	Length	Philips I2NC	Item Number	Certification
Leader Cable	2 m (6.5 ft)	910503704620	308-000001-17	UL/cUL, CE, CQC
Leader Cable	8 m (25 ft)	910503704621	308-000001-18	UL/cUL, CE, CQC
Jumper Cable	0.3 m (12 in)	910503704622	308-000001-19	UL/cUL, CE, CQC
Jumper Cable	1.5 m (59 in)	910503704623	308-000001-20	UL/cUL, CE, CQC

Accessories:

Product	Details	Philips I2NC	Item Number	Certification
On-Off Switch	Rocker Switch	910503704624	320-000003-00	UL/cUL, CE, CQC
45deg Mounting Bracket	Energy Star compliant	910503704728	320-000003-01	UL/cUL, CE, CQC
CE Starter Kit	1x PSU, 8m Leader Cable, On-Off Switch	910503704729	320-000003-02	CE
UL Starter Kit	1x PSU, NEMA Enclosure, 8m Leader Cable, On-Off Switch	910503704730	320-000003-03	UL/cUL

0-10V Dimming Module (Philips Xitanium)

Wattage	Input Voltage	Philips I2 NC	Item Number	Certification
100W	12-24V	913710830902M		UL, CE (Bulk Pack)
100W	12-24V	9124 001 30190	309-000003-01	UL, CE (Individual Pack)



Custom Options:

CCT	Length	Philips I2NC	Item Number	Certification
3000K	0.6 m (24.0 in)	910503704590	350-000012-07	UL/cUL, CE
4000K	0.6 m (24.0 in)	910503704593	350-000012-10	UL/cUL, CE
2700K	0.3 m (12 in)	910503704602	350-000012-18	UL/cUL, CE
2700K	0.6 m (24.0 in)	910503704603	350-000012-19	UL/cUL, CE
2700K	1.2 m (48 in)	910503704604	350-000012-20	UL/cUL, CE
5000K	0.3 m (12 in)	910503704605	350-000012-21	UL/cUL, CE
5000K	0.6 m (24.0 in)	910503704606	350-000012-22	UL/cUL, CE
5000K	1.2 m (48 in)	910503704607	350-000012-23	UL/cUL, CE
Red	0.3 m (12 in)	910503704608	325-000012-00	UL/cUL, CE, CQC
Red	0.6 m (24.0 in)	910503704609	325-000012-01	UL/cUL, CE, CQC
Red	1.2 m (48 in)	910503704610	325-000012-02	UL/cUL, CE, CQC
Green	0.3 m (12 in)	910503704611	325-000012-03	UL/cUL, CE, CQC
Green	0.6 m (24.0 in)	910503704612	325-000012-04	UL/cUL, CE, CQC
Green	1.2 m (48 in)	910503704613	325-000012-05	UL/cUL, CE, CQC
Blue	0.3 m (12 in)	910503704614	325-000012-06	UL/cUL, CE, CQC
Blue	0.6 m (24.0 in)	910503704615	325-000012-07	UL/cUL, CE, CQC
Blue	1.2 m (48 in)	910503704616	325-000012-08	UL/cUL, CE, CQC
Amber	0.3 m (12 in)	910503704617	325-000012-09	UL/cUL, CE, CQC
Amber	0.6 m (24.0 in)	910503704618	325-000012-10	UL/cUL, CE, CQC
Amber	1.2 m (48 in)	910503704619	325-000012-11	UL/cUL, CE, CQC

