

Edge Evo Tablet Stand

The Edge iPad stand range features a unique clamp based design that includes a simple security lock release option. The Edge iPad stand is perfect for counter top use from POS to kiosk self-service applications. Designed for the 10.2" iPad.



Contents

Secure	3
Cable Management.....	4
Hinge Options.....	5
Movement.....	6
Base Options.....	7
Wall Mountable	8
Recommended Positioning	9
Custom Branding Solutions.....	10
Pre-Assembled	11
Supported Tablet Models.....	12
Specifications	13



Secure

The Edge case is constructed from high grade metal and powder coated for durability. The iPad is secured in place with a unique clamp design with neoprene cushioned support. Remove your iPad from the Edge stand with a simple release option located on the rear bracket. Simply unlock the latch using the supplied security key to release the clamp and then remove iPad.

Cable Management

The Edge Evo iPad stand ensures your device remains charged and ready for use without the need for a bulky case. The slim clamp design includes internal cable management that allows you to run the cable through the stand and out at the base with minimal cable visibility.





Evo Pole

Fixed 45° angle



Evo X Pole

Tilt and Rotation movement



40° Tilt



90° Rotation

Evo X Movement

Evo X Pole Only

The Evo X pole rotates between portrait and landscape and also features a 40-degree tilt for a functional and ergonomic design. This stand also features a position lock on both tilt and rotate movements for a fixed option.



Screw Mount



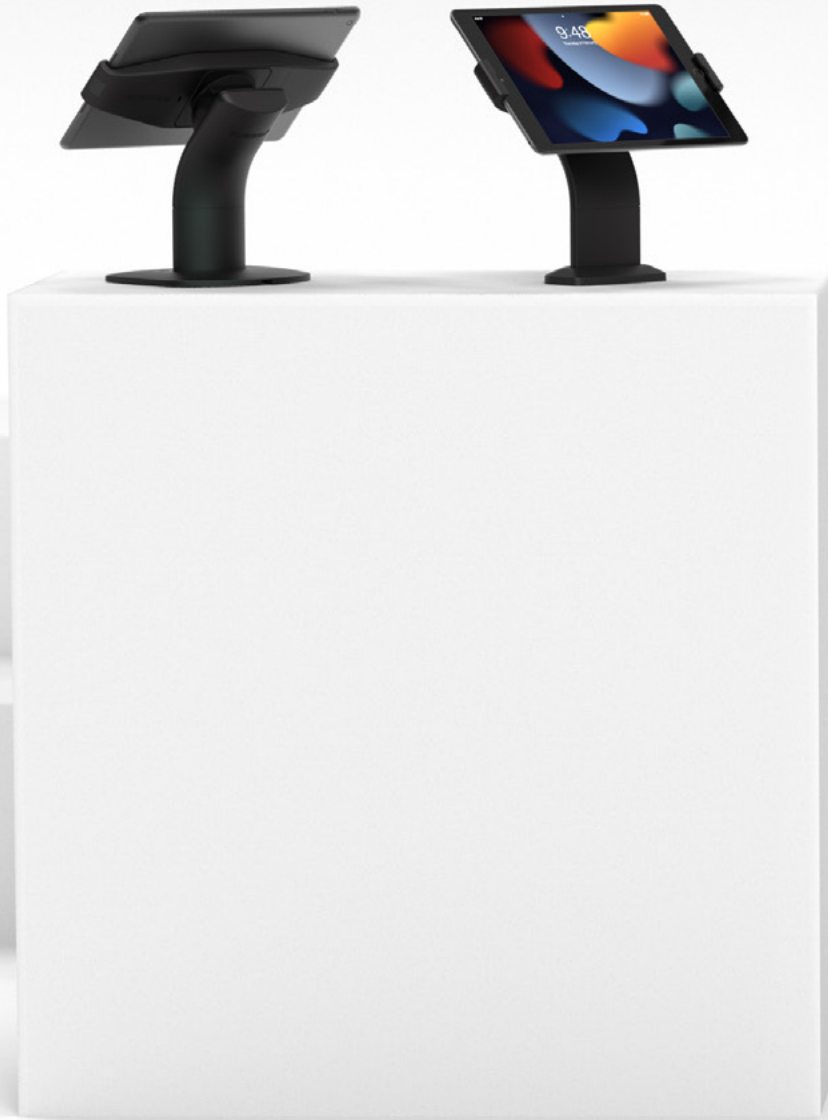
Freestanding



Wall Mountable

Screw Mount base only

The Evo Screw Mount base is also wall mountable. With cable management options to run through the wall or alternatively out the base to feed down the wall.



Recommended
counter height for
the Edge Evo

29.53" - 43.31" (75 - 110 cm)

Custom Branding Solutions

Add your logo on the Edge Evo with a silk-screen finish on our powder coated molded metal bases or on the front facing display.



Pre-Assembled

Want an easy installation process without having to worry about parts, screws and lengthy assembly guides? We thought so. All products (with the exception of the Floor Stand) arrive fully pre-assembled for trouble-free large scale roll outs.



Supported Tablets

The Edge case currently supports the following tablet models.

Supported Tablets:

iPad 10.2 7th Generation

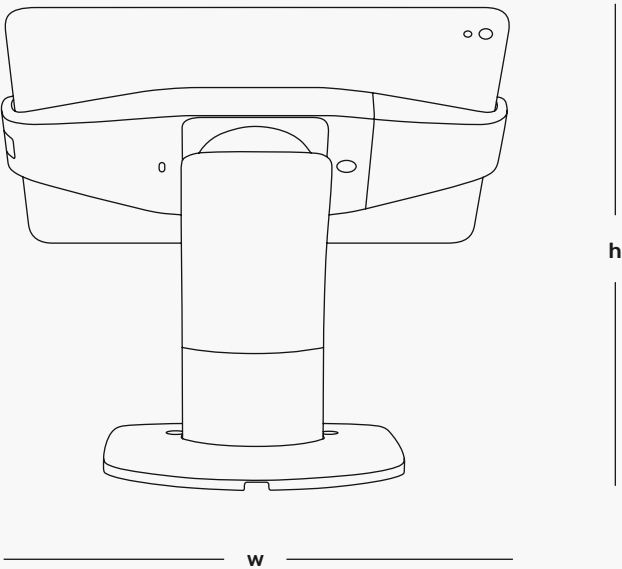
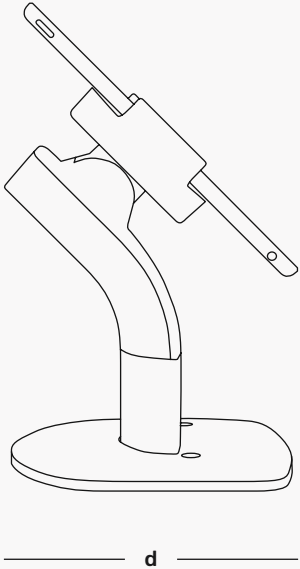
iPad 10.2 8th Generation

iPad 10.2 9th Generation



IPAD 10.2 (7TH, 8TH & 9TH GEN)

Can't find your tablet model above? Contact us to find a solution for you.



w: 10.35" (263mm)
d: 9.69" (170mm)
h: 9.06" (230mm)