

# K202SDR / K202GDR Refrigerators

USES: / CLINICAL APPLICATIONS / VACCINES & MEDICATIONS / BIOLOGICS / DIAGNOSTICS KITS / MOLECULAR BIOLOGY / INDUSTRIAL TESTING

K2's 2.5 cu. ft. refrigerators offer a temperature stability of  $\pm 2^{\circ}\text{C}$  from the set point. These units use environmentally friendly, natural refrigerants are fully compliant with new EPA/SNAP/UL regulations.



K202SDR



K202GDR

- Intelligent microprocessor controller with digital display and adjustable temperature control
- Variable (cycle) defrost
- Audible and visual high or low temperature alarms
- Magnetically sealed door with rapid cool-down mode after door opening
- Efficient, exterior, switch-activated interior LED lighting
- Three white epoxy-coated wire shelves standard

- Shelves are adjustable by 1-inch increments
- Cabinet constructed of white powder-coated steel with CFC-free, high density insulation
- An environmentally green, compliant with future EPA and SNAP mandates
- Forced air circulation aids temperature stability and uniformity
- Stackable with K2 Stacking Kit
- Keyed door lock

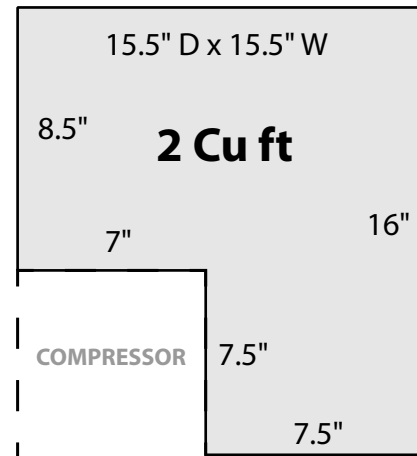
- Remote alarm contacts
- 0.5" temperature probe and data logger access port
- Built and shipped from ISO 9001:2008 manufacturing and distribution facilities
- Three quality control checks prior to shipping
- Warranty: Two-year full replacement for parts or compressor failure

| MODEL NUMBER | CAPACITY CU. FT. / liters | EXTERIOR Height x Width x Depth | INTERIOR Height x Width x Depth | TEMP RANGE (SETPOINT) | DOORS | SHELVES | DEFROST | SHIPPING WT. LBS. |
|--------------|---------------------------|---------------------------------|---------------------------------|-----------------------|-------|---------|---------|-------------------|
| K202SDR/GDR  | 2.5 / 70                  | 25.8" x 20.1" x 20.9"           | 15.5" x 15.5" x 16"             | +2°C to +8°C          | 1     | 2       | MANUAL  | 88 lbs            |

| REFRIGERATOR   | Undercounter / Benchtop                     |
|--|---|
| Model#   | <b>K202</b>                                 |
| Storage Volume   | 2.5 cu ft                                   |
| Performance Characteristics  |   |
| Exterior (W x D x H)   | 20.1" x 20.9" x 25.8"                       |
| Interior (W x D x H)   | 15.5" x 15.5" x 16"                         |
| Insulation   | CFC-free, high density insulation           |
| Doors  | 1   |
| Door Perimeter Heater  | Standard                                    |
| Shelves  | 2   |
| Access Port  | 0.5" Probe port                             |
| Leveling Legs  | Standard                                    |
| Unit Weight  | 88 lbs                                      |
| Performance  |   |
| Peak Variance*   | 4.73°C                                      |
| Stability  | + / - 2°C                                   |
| Energy Consumption (KWhr/day)*   | 0.58  |
| Adjustable Set Point Range   | 2°C to 8°C                                  |
| Factory Set Point  | + 4°C                                       |
| Electrical Power/ Current  | 120v 60 Hz                                  |
| Building Supply Rating   | 15 Amp                                      |
| Power Plug/Cord Length   | NEMA 5-15 / 10ft cord                       |
| VFC Compliant  | Yes   |
| Energy Star  | Yes   |
| Indoor/Outdoor Use   | Indoor use only                             |
| Application Environment  | Non-corrosive, non-flammable, non-explosive |
| Ambient Operating Temp. (°C)   | 25°C to 32°C                                |
| Refrigeration  |   |
| Refrigeration System   | Vapor compression system, forced-air        |
| Compressor   | Hermetically sealed compressor              |
| Condenser Type   | Foamed in                                   |
| Expansion Device   | Capillary tube                              |
| Evaporator Type  | Cold wall Evaporator                        |
| Defrost  | Variable (cycle)                            |
| Refrigerant  | R600a (Isobutane)- EPA, SNAP compliant      |
| Controller/System Configuration  |   |
| User Interface   | Microprocessor with digital display         |
| Power Switch   | On/Off                                      |
| Controller Type  | Digital controller                          |
| Security   | Lockable doors                              |
| Control Sensor   | NTC probe                                   |
| Remote Alarm Terminals   | Standard                                    |
| High/Low Alarms  | Standard                                    |
| Warranty   | 2-years full replacement                    |
| *Data according to EPA Energy Star <a href="https://www.energystar.gov/productfinder/product/certified-lab-grade-refrigeration/results">https://www.energystar.gov/productfinder/product/certified-lab-grade-refrigeration/results</a> |   |

## Side Profile Internal Dimensions

### K202 Models



- (1) 14"x15" Large Shelf
- (1) 6.75"x15" Small Shelf