

# K202SDR / K202GDR Refrigerators

USES: / CLINICAL APPLICATIONS / VACCINES & MEDICATIONS / BIOLOGICS / DIAGNOSTICS KITS / MOLECULAR BIOLOGY / INDUSTRIAL TESTING

K2's 2.5 cu. ft. refrigerators offer a temperature stability of  $\pm 2^{\circ}\text{C}$  from the set point. These units use environmentally friendly, natural refrigerants are fully compliant with new EPA/SNAP/UL regulations.



**K202SDR**



**K202GDR**

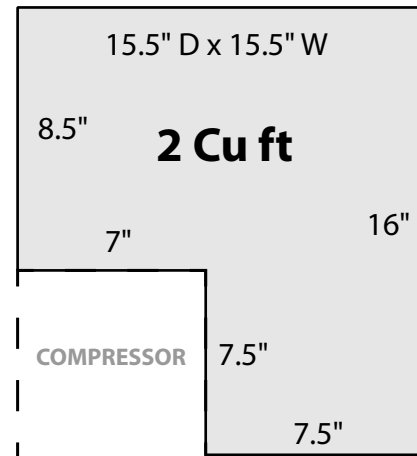
- Intelligent microprocessor controller with digital display and adjustable temperature control
- Variable (cycle) defrost
- Audible and visual high or low temperature alarms
- Magnetically sealed door with rapid cool-down mode after door opening
- Efficient, exterior, switch-activated interior LED lighting
- Two white epoxy-coated wire shelves standard
- Shelves are adjustable by 1-inch increments
- Cabinet constructed of white powder-coated steel with CFC-free, high density insulation
- R600a refrigerant, an environmentally green, compliant with future EPA and SNAP mandates
- Forced air circulation aids temperature stability and uniformity
- Stackable with K2 Stacking Kit
- Keyed door lock
- Remote alarm contacts
- 0.5" temperature probe and data logger access port
- Built and shipped from ISO 9001:2008 manufacturing and distribution facilities
- Three quality control checks prior to shipping
- Warranty: Two-year full replacement for parts or compressor failure

MODEL NUMBER	CAPACITY CU. FT. / liters	EXTERIOR Height x Width x Depth	INTERIOR Height x Width x Depth	TEMP RANGE (SETPOINT)	DOORS	SHELVES	DEFROST	SHIPPING WT. LBS.
K202SDR/GDR	2.5 / 70	25.75" x 20.1" x 20.9"	15.5" x 15.5" x 16"	+2°C to +8°C	1	2	MANUAL	88 lbs

REFRIGERATOR	Undercounter / Benchtop
Model#	<b>K202</b>
Storage Volume	2.5 cu ft
Performance Characteristics	
Exterior (W x D x H)	20.1" x 20.9" x 25.8"
Interior (W x D x H)	15.5" x 15.5" x 16"
Insulation	CFC-free, high density insulation
Doors	1
Door Perimeter Heater	Standard
Shelves	2
Access Port	0.5" Probe port
Leveling Legs	Standard
Unit Weight	88 lbs
Performance	
Peak Variance*	4.73°C
Stability	+ / - 2°C
Energy Consumption (KWhr/day)*	0.58
Adjustable Set Point Range	2°C to 8°C
Factory Set Point	+ 4°C
Electrical Power/ Current	120v 60 Hz
Building Supply Rating	15 Amp
Power Plug/Cord Length	NEMA 5-15 / 10ft cord
VFC Compliant	Yes
Energy Star	Yes
Indoor/Outdoor Use	Indoor use only
Application Environment	Non-corrosive, non-flammable, non-explosive
Ambient Operating Temp. (°C)	25°C to 32°C
Refrigeration	
Refrigeration System	Vapor compression system, forced-air
Compressor	Hermetically sealed compressor
Condenser Type	Foamed in
Expansion Device	Capillary tube
Evaporator Type	Cold wall Evaporator
Defrost	Variable (cycle)
Refrigerant	R600a (Isobutane)- EPA, SNAP compliant
Controller/System Configuration	
User Interface	Microprocessor with digital display
Power Switch	On/Off
Controller Type	Digital controller
Security	Lockable doors
Control Sensor	NTC probe
Remote Alarm Terminals	Standard
High/Low Alarms	Standard
Warranty	2 years parts & labor, 2 years compressor
*Data according to EPA Energy Star <a href="https://www.energystar.gov/productfinder/product/certified-lab-grade-refrigeration/results">https://www.energystar.gov/productfinder/product/certified-lab-grade-refrigeration/results</a>	

## Side Profile Internal Dimensions

### K202 Models



- (1) 14"x15" Large Shelf
- (1) 6.75"x15" Small Shelf