

K202SDF / K204SDF / K210SDF Freezers

USES: / CLINICAL APPLICATIONS / VACCINES & MEDICATIONS / BIOLOGICS / DIAGNOSTICS KITS / MOLECULAR BIOLOGY / INDUSTRIAL TESTING

K2's 2.5 / 4 / 10 cu. ft. freezers are designed for the most rigorous life science and commercial applications. Featuring an intelligent microprocessor controller and adjustable temperature control, these units offer a temperature stability of $\pm 2^{\circ}\text{C}$ from the set point. These freezers use environmentally friendly, natural refrigerants are fully compliant with new EPA/SNAP/UL regulations.



59.43"
22.15" 23.62"

K210SDF



31.68"
20.89" 27.50"

K204SDF



25.8"
20.9" 20.1"

K202SDF

- Intelligent microprocessor controller with digital display and adjustable temperature control
- Variable (cycle) defrost
- Audible and visual high or low temperature alarms
- Magnetically sealed door with rapid cool-down mode after door opening
- Efficient, exterior switch-activated interior LED lighting
- White epoxy-coated wire shelves standard

- Shelves are adjustable by 1-inch increments
- Cabinet constructed of white powder-coated steel with CFC-free, high density insulation
- R600a refrigerant, an environmentally green option compliant with future EPA and SNAP non-ozone depleting mandates
- Forced air circulation aids temperature stability and uniformity
- Leveling legs

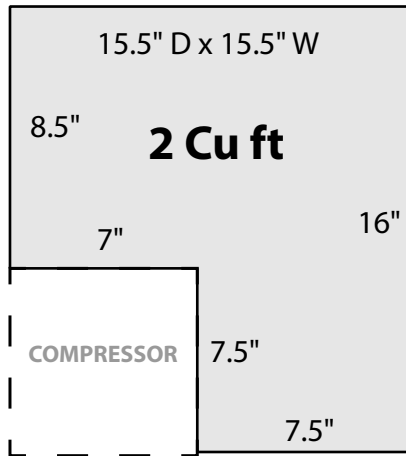
- Keyed door lock
- Remote alarm contacts
- 0.5" temperature probe and data logger access port
- Built and shipped from ISO 9001:2008 manufacturing and distribution facilities
- Each cabinet undergoes three quality control checks prior to shipping
- Warranty: Two-year full replacement for parts or compressor failure

MODEL NUMBER	CAPACITY CU. FT. / liters	EXTERIOR Height x Width x Depth	TEMP RANGE (SETPOINT)	DOORS	SHELVES	DEFROST	SHIPPING WT. LBS.
K202SDF	2.5 / 70	25.75" x 20.1" x 20.9"	-10°C to -25°C	1	2 + 1	MANUAL	88 lbs
K204SDF	4/113	31.68" x 23.75" x 20.89"	(+14°F to -13°F)	Rt. Swing	2 + 1		113.5 lbs
K210SDF	10/283	59.43" x 23.62" x 22.15"			6		176 lbs

FREEZER			
Model#	K202	K204	K210
Storage Volume	2.5 cu ft	4 cu ft	10 cu ft
Performance Characteristics			
Exterior (W x D x H)	20.1"x 20.9"x 25.8"	23.6"x 20.9"x 31.7"	23.6"x 22.2"x 59.4"
Interior (W x D x H)	15.5" x 15.5" x 16"	19.5" x 15" x 23"	19.5" x 15" x 50.5"
Insulation	CFC-free, high density insulation		
Doors	1	1	1
Door Perimeter Heater	Standard		
Shelves	3	3	5
Access Port	0.5" Probe port		
Leveling Legs	Standard		
Unit Weight	88 lbs	113 lbs	176 lbs
Performance			
Peak Variance*	6.69°C	7.25°C	7.19°C
Stability	+ / - 2.0°C	+ / - 2.0°C	+ / - 2.0°C
Energy Consumption (KWhr/day)*	0.75	0.97	1.9
Adjustable Set Point Range	- 10°C to -30°C		
Factory Set Point	- 25°C		
Electrical Power/ Current	120v 60 Hz		
Building Supply Rating	15 Amp		
Power Plug/Cord Length	NEMA 5-15 / 10ft cord		
VFC Compliant	Yes		
Energy Star	Yes		
Indoor/Outdoor Use	Indoor use only		
Application Environment	Non-corrosive, non-flammable, non-explosive		
Ambient Operating Temp. (°C)	25°C to 32°C		
Refrigeration			
Refrigeration System	Vapor compression system, forced-air		
Compressor	Hermetically sealed compressor		
Condenser Type	Foamed in		
Expansion Device	Capillary tube		
Evaporator Type	Cold wall evaporator		
Defrost	Variable (cycle)		
Refrigerant	R600a (Isobutane)- EPA, SNAP compliant		
Controller/System Configuration			
User Interface	Microprocessor with digital display		
Power Switch	On/Off		
Controller Type	Digital controller		
Security	Lockable doors		
Control Sensor	NTC probe		
Remote Alarm Terminals	Standard		
High/Low Alarms	Standard		
Warranty	2 years Parts & Labor, 5 years on Compressor		
*Data according to EPA Energy Star https://www.energystar.gov/productfinder/product/certified-lab-grade-refrigeration/results			

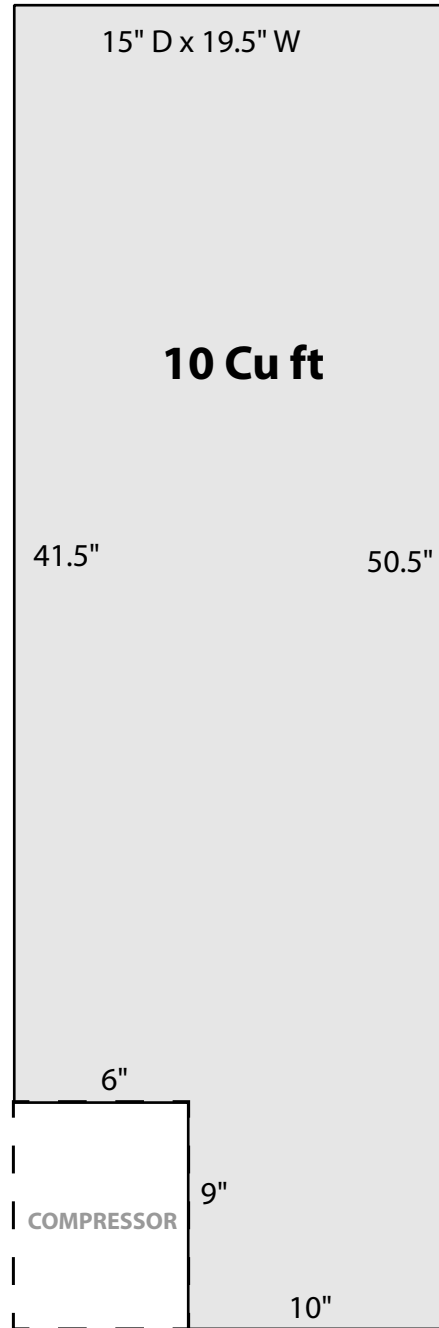
K202, K204 & K210 Internal Capacity (unit side profile shown)

K202 Models



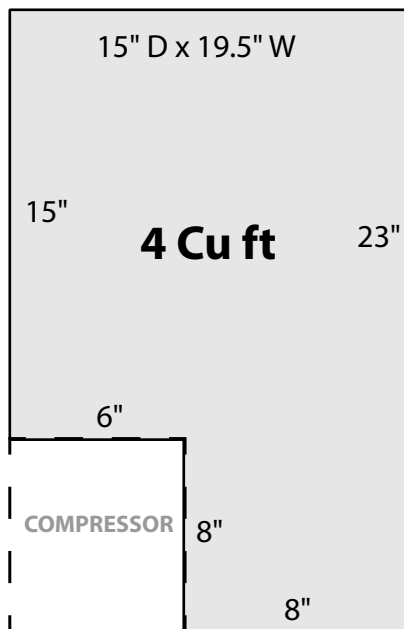
- (1) 14"x15" Large Shelf
- (1) 6.75"x15" Small Shelf

K210 Models



- (5) 15"x19" Large Shelf
- (1) 8"x19" Small Shelf

K204 Models



- (2) 15"x19" Large Shelf
- (1) 8"x19" Small Shelf