

REVELITE AL TECHNICAL SPEC SHEET

REVELITE[®]
fine art lighting

The following information is provided to help specify a Revelite AL for a given piece of artwork or display. When properly selected, the Revelite AL will illuminate the desired illumination area with vertical and horizontal uniformity.

The AL emits exceptionally high quality LED light that renders color accurately.

The AL's form is unobtrusive so the fixture does not detract from the art or display being illuminated.



CLASS 2 LOW VOLTAGE
3 YEAR WARRANTY
US PATENT # 7,070,293 AND 9,134,004
INTERNATIONAL PATENTS PENDING
MADE IN THE USA

THE RIGHT LIGHT FOR YOUR PIECE

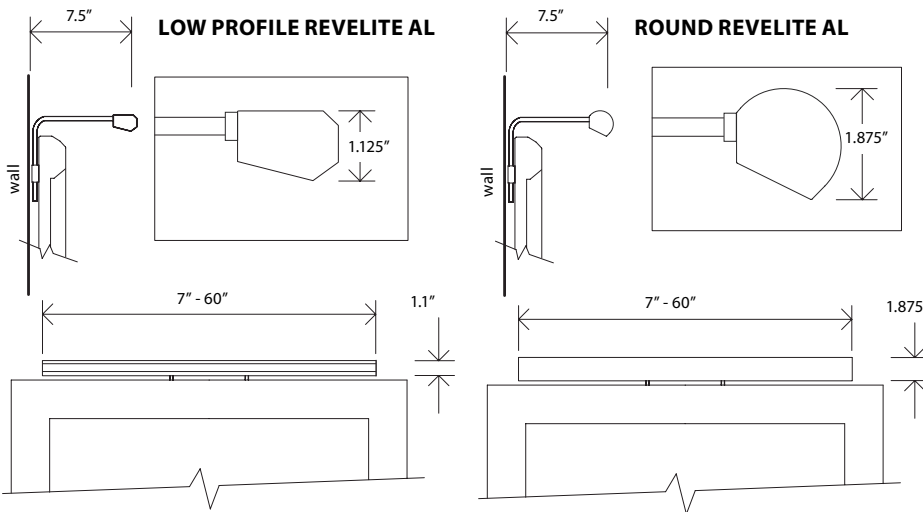
AL1: SINGLE ROW OF LEDS: The Revelite AL1 is optimized for paintings less than 16 inches tall.

AL2: TWO ROWS OF LEDS: The Revelite AL2 is optimized for paintings from 16 to 36 inches tall, capable of vertical performance up to 60 inches. (Vertical wash will taper after 36")

All fixtures are available in nominal wide sizes from 7" to 60". We suggest measuring the width of the canvas and rounding down to the next available size.

Two or more fixtures can be installed side by side for canvas widths over 60". A second fixture can be added to the bottom of a canvas when illuminating very tall areas.

Two hood shapes are available as an aesthetic option. Both offer identical performance.

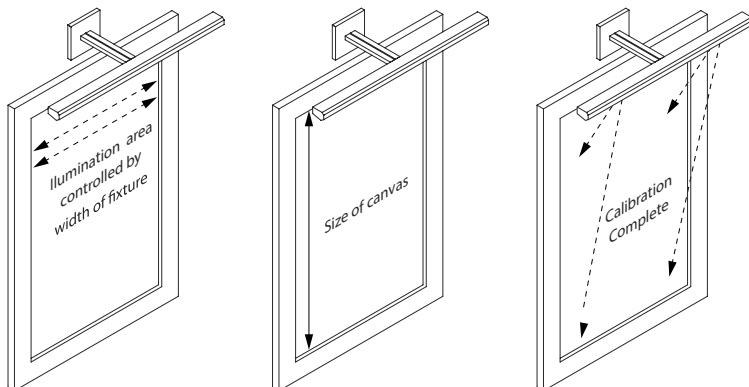


SIZES AVAILABLE (INCHES):

7	10	12	14	17	19	22	24	26	29	31	34	36	38	41	43	46	48	50	53	55	58	60
---	----	----	----	----	----	----	----	----	----	----	----	----	----	----	----	----	----	----	----	----	----	----

CALIBRATION

The width of the illumination area is controlled by the width of the fixture. The height of the illumination area is controlled by calibrating the fixture to the specific canvas height during the manufacturing process.



Calibrating the fixture involves adjusting the angles of the LED modules and their relative brightness to achieve consistent vertical illumination. Adjustments can be made after installation.

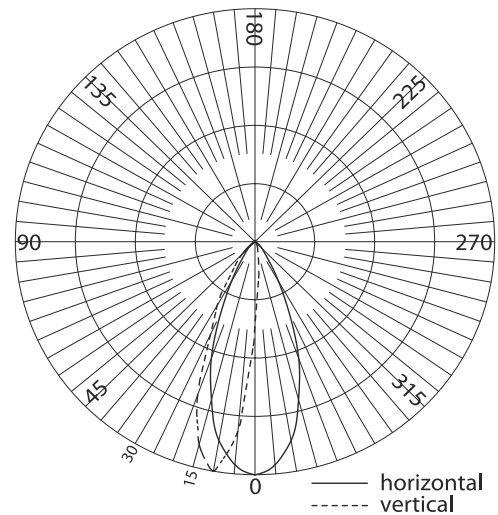
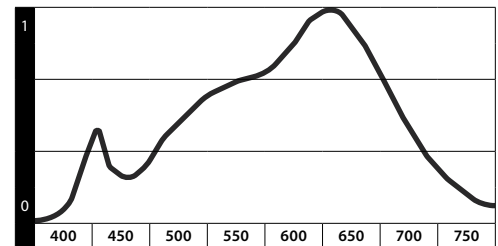
SPECIFICATIONS

The max power consumption of the Revelite AL varies between models.

The actual power consumption will typically be less than what is stated based on how the fixture is calibrated for the specific piece of art.

	AL1	AL2
MAX POWER CONSUMPTION (WATTS/FT)	5	10
MAX SOURCE LIGHT OUTPUT (LUMENS/FT)	470	940

COLOR SPECTRUM



PHOTOMETRICS

The photometric polar diagram seen is a Revelite AL2 calibrated for a 24" tall canvas.

Max values and distribution of luminous intensity will vary for different size lights and for calibrations of different canvas heights.

The Max Intensity = 325 Candela located at Horizontal Angle = 0° located at Vertical Angle = 0°

REVELITE AL TECHNICAL SPEC SHEET

MOUNTING

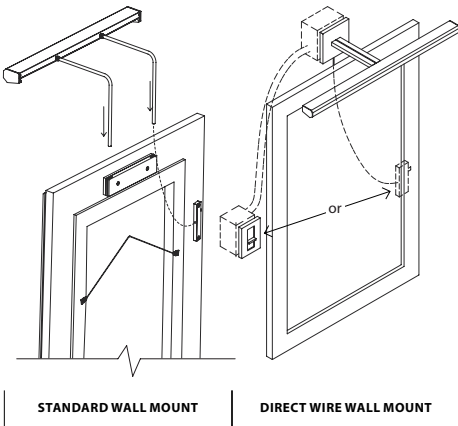
The Revelite AL is offered in two mounting options: Standard Mount or Direct Wire Wall Mount.

The Standard Mount can mount to the back of the frame or the wall behind the canvas. The mount allows you to adjust the height of the fixture. The standard mount can be a hardwired or plugged into an outlet.

DIRECT WIRE WALL MOUNT attaches to the wall above an art piece. This option requires mounting the fixture to a j-box properly sized to house the appropriate hardwire power supply.

The direct wire wall mount requires a hardwired power supply.

THE DIRECT WIRE WALL MOUNT wall canopy comes in two sizes. Square (4.5"H x 4.5"W) for attaching to a 4" square junction box with a 3" round plastic ring or an octagonal box, or rectangular (3"H x 4.5"W) for attaching to a single gang switch box mounted horizontally.



Low Profile Revelite AL shown in both images
(Power delivery not shown)

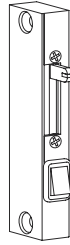
DIMMING

Revelite AL is 0-10V dimmable and comes with a dimmer switch that can be attached out of sight on the rear of the frame. It is also compatible with most third party 0-10V dimmers.

DIMMING RANGE: 10% to 100% Compatible with source or sink 0-10V dimmers.

<1V = off | 1V = 10% | 10V = 100%

Output increases linearly between 1V and 10V. When being used with a current sinking dimmer, each Revelite AL fixture sources <10mA.



POWER SOURCE

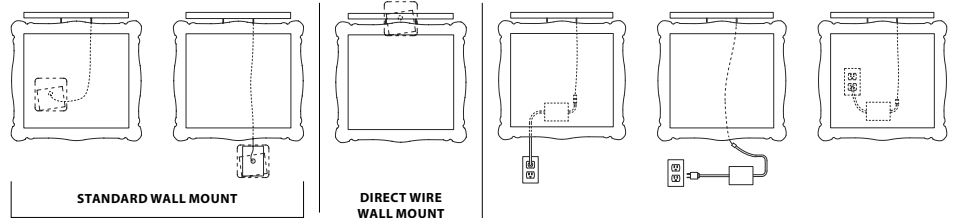
The Revelite AL is a low voltage fixture and requires a low voltage DC power supply. A variety of power supplies are offered and should be selected based on the size of the fixture and the installation conditions. If you wish to power multiple Revelite AL fixtures with a single power supply, make sure the sum of the power drawn by each fixture does not exceed the maximum power rating for the particular power supply.

Plug-in power supplies are included with the price of the fixture. Hardwire power supplies are available at an additional cost. Power supplies must be connected to an undimmed power source.

TYPE	MAX POWER	INPUT VOLTAGE	DIMENSIONS	MAX AL1 LENGTH	MAX AL2 LENGTH	PART NUMBER
plug-in	24w	100-240 VAC	3.88" x 1.75" x 1.25"	46"	24"	52-24V1AB
plug-in	60w	100-240 VAC	4.44" x 2" x 1.25"	130"	65"	52-24V1AB
hardwire	36w	100-277 VAC	2.76" x 1.57" x 1.06"	77"	38"	52-RSLP035-24
hardwire	72w	100-277 VAC	2.76" x 2.24" x 1.06"	155"	77"	2-RSLP070-24
high power remote	96w	100-277 VAC	2.76" x 2.24" x 1.06"	207"	103"	52-LDS96W24V NDRE-0020

MICROWIRE:

Each Revelite fixture comes with 6ft of microwire, a slim wire to deliver low voltage from the power supply to the Revelite fixture. It can be discretely run from a remote power supply to the fixture in an unobtrusive manner.



HARDWIRE OPTIONS:

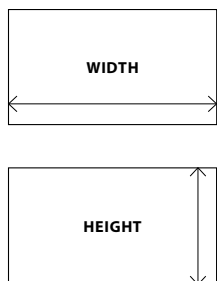
Allows the power supply to be placed inside a recessed junction box and will require the help of an electrician.

PLUG-IN OPTIONS:

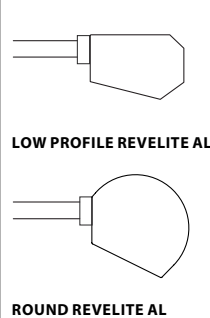
Ready to plug directly into standard AC outlet. Only available with Standard Mount option.

IT'S AS SIMPLE AS...

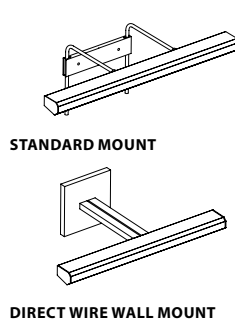
1 DIMENSIONS OF CANVAS



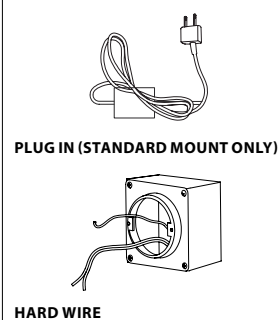
2 HOOD SELECTION



3 MOUNTING



4 POWER SUPPLY OPTION



5 FIXTURE FINISH

