



The Encore™ Operator from Truth Hardware – style and versatility all in one brand new package. Truth Hardware, the name synonymous with quality, reliability and innovation has once again proven why we are the leaders in the industry. The Encore family of operators, with all its features and benefits is arguably the industry’s best value in window hardware.

Engineered to incorporate all of the strength and performance characteristics of Truth’s Maxim® Series of operators, the Encore has been created to take window manufacturers to a level of differentiation that they have been searching for. Manufacturers will also appreciate the cost savings they will realize through standardization of operators and manufacturing efficiencies.

The Encore, from Truth Hardware, the beginning of a whole new show!

### FULL-FLIP FOLDING HANDLE

- The new Encore folding handle offers a smoother, more contemporary, integrated look when nesting in the operator cover.
- This system is uniquely designed to prevent handle collapse during operation.
- The streamlined design allows for easy screen release without removing the crank handle.
- Interference with window treatments such as curtains and blinds is also greatly reduced.

### REMOVABLE “SNAP-FIT” COVER

The removable cover design has numerous advantages to the manufacturer and the homeowner alike.

- The window manufacturer will notice the reduced inventory costs by allowing non-color specific operators to be stocked.
- An integrated snap-fit feature allows fastenerless cover attachment offering the product a cleaner look, and removes easily for painting and staining of the window.
- This product opens the door to additional cover and handle design possibilities that will soon be available.
- The manufacturer can also take advantage of the possibility for unique cover designs to help them personalize and differentiate their window line.



*Encore™ Dual Arm Operator with Tango™ Series Handle & Cover option shown*



- Plated finishes are less expensive and more durable.
- Installation of both the cover and handle after the home is completed helps eliminate damage during construction.

### SMALLER SEALABLE HOUSING/GASKET

Designed to drop in the same location as Truth’s Maxim System, the Encore Operator’s streamlined design helps:

- Reduce water/air infiltration and eliminates need for caulking.
- Minimize mounting surface damage in punching or routing of operator cut-out.
- Create a more stable mounting surface and improves seal endurance with its overlapping lip design.
- Enclosed gear train keeps dirt and construction debris out of the operator for smoother operation and longer life.

### STANDARDIZATION OF PRODUCT & PROCESSES

- Allows manufacturer to use same operator mounting location on every window size whether it be a small window with a dyad operator or a

larger window with a dual arm, thus helping to reduce manufacturing and inventory costs.

- Dual arm is specially designed to support both washability and egress applications while mounted in a consistent location.

- Brackets and track have been standardized and include features designed to reduce installation time.

### ENCORE IS BASED ON MAXIM MECHANICALS

- 33% less effort to operate than EntryGard style operators
- Provides “Maxim-size” large window operation
- Allows larger applications to meet ADA requirements
- Certified to meet AAMA 901-07 cycle test at commercial rating
- Based on application, the Maxim and Encore systems provide reduced sash play - thus reducing the tendency of the window to “walk” in buffeting wind conditions when compared to EntryGard® and similar style operators.
- Time proven design.

FIG. 5 APPLICATION OF TANGO FOLDING HANDLE COVER 12614.XX (LH) (SHOWN) 12616.XX (RH)  
(Sold as cover and handle package only)

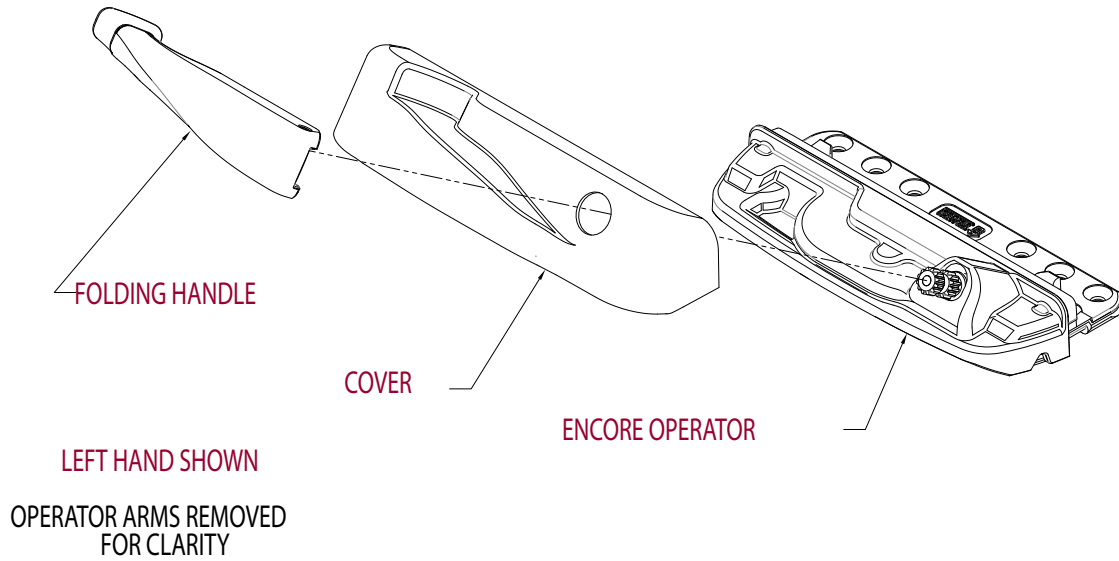


FIG. 6 DIMENSIONS FOR TANGO FOLDING HANDLE COVER (LH) (SHOWN)

