

- For timber or aluminium awning windows with hook hinges or non-friction stays.
- Foldable handle can be folded away after use to limit obstruction to curtains and blinds.

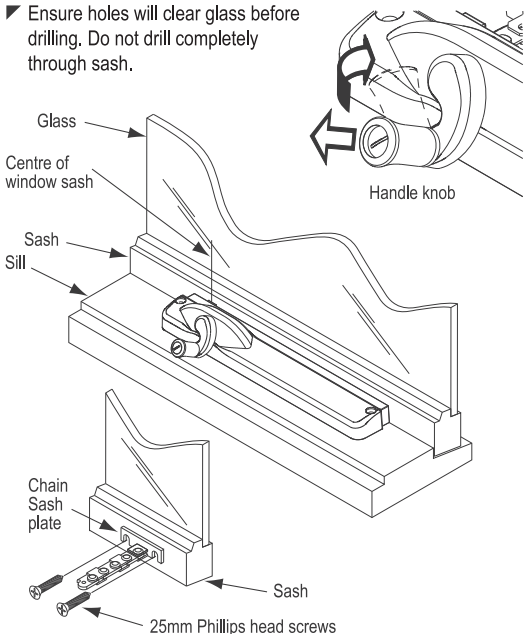
Installation Instructions

For Timber and Aluminium windows

- With window closed, place winder on sill against sash.
- Position sash plate in the centre of the sash and mark hole centres.
- Drill 2 holes 3.0mm dia to suit screw length and fix chain sash plate to sash with 25mm screws.

Important:

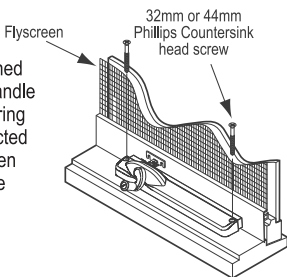
- Ensure holes will clear glass before drilling. Do not drill completely through sash.



- With window closed position winder on the sill flush with sash or flyscreen and mark hole centres.
- For timber windows only** – Drill 2 holes 3.5mm dia in the sill and secure winder with 44mm screws.
- For aluminium windows only** – Drill 2 holes 4.0mm dia in the sill and secure winder with 32mm screws.

Note:

Handle can be re-positioned if desired. Gently prise handle off with screwdriver ensuring that winder body is protected by a cloth. Handle can then be pushed back in a more convenient location.



TOOLS REQUIRED (Checklist)

- Pencil or marker
- Phillips head screwdriver
- Drill
- 3.0mm drill bit
- 3.5mm drill bit
- 4.0mm drill bit

PACK CONTENTS

- ✓ Window Winder x 1
- ✓ 25mm Phillips head screw x 2
- ✓ 32mm Phillips head screw x 2
- ✓ 44mm Phillips head screw x 2

*Refer to Whitco Warranty.

ASSA ABLOY

ASSA ABLOY Australia Pty Limited
235 Huntingdale Road, Oakleigh VIC 3166
ABN 90 086 451 907 ©2008
Visit us at www.whitco.com.au

®Registered Trademark of ASSA ABLOY Australia Pty Limited
Made in China to exclusive Whitco specifications and quality standards



SELECTABLE CHAINWINDER OPENING (100mm and 150mm)

FITTING INSTRUCTIONS

PIN: Q50035 Iss-A 1014

1

Stop clip is only to be used for restricting the opening length of chain to 100mm or 150mm.

Identify desired restriction length of 100mm or 150mm marked on underside of product as shown.

2

Ensure chain is completely wound in.

Insert stop clip as shown.
NOTE: 100mm stop location illustrated.

3

Push stop clip into the chain as shown.

Stop clip to be inserted prior to unit being secured down.