

Elmasonic Xtra

Ultrasonic cleaning devices

Product Information



Contents

Elmasonic Xtra	3
Order numbers and list prices	3
Product features and functions	4
Technical Data - Mechanics	5
Technical Data - Electronics	6
Dimension definition	7

Elmasonic Xtra

Ultrasonic cleaning devices



Order numbers

Elmasonic Xtra	40	60	120	180	300
Order number 220 - 240 V~	1127779	1130253	1127783	1127785	1127787
Order number 115 - 120 V~	1127778	1130252	1127782	1127784	1127786

Scope of delivery

- Ultrasonic unit
- Stainless steel cover
- Power cable with rubber connector (2 m length)
- Manual

Technical specifications serve as orientation values and are subject to tolerances due to production and manufacturing. Proper operation can only be guaranteed when using original Elma accessories.

Elmasonic Xtra

Product features and functions

▪ 37 kHz ultrasonic frequency (control range -2,5 / +5,5 kHz)
▪ 2 ultrasonic modes for need-based sound field distribution in the ultrasonic bath
▪ dynamic mode, automatically set: Serves more intensive cleaning with higher cleaning power. Sweep and pulse alternately for homogeneous and powerful cleaning.
▪ eco mode, can be switched on: Serves gentle cleaning with quieter operation. Saves energy and increases the life of the tub.
▪ Electronic selector switches on wipeable membrane keypad and LED display of all operating states
▪ Pre-selection of cleaning time: cleaning time adjustable between 1 minute and 30 minutes or continuous operation adjustable (ultrasonic continuous operation max. 6 hours)
▪ Acoustic and optical signal at the end of cleaning
▪ Electronic temperature control adjustable in steps of 5 °C from 30 - 80 °C for devices with heating (temperature tolerance -5 / +8 °C)
▪ Safety switch-off with wake-up function
▪ after 8 hours of inactivity
▪ in case of a brief interruption of the power supply
▪ Automatic shutdown of ultrasonic operation at a bath temperature > 90 °C
▪ Splash-proof housing and cleaning tray made of stainless steel
▪ Stainless steel liquid drain on the side of the unit
▪ Dry-run detection
▪ Cleaning tank made of stainless steel, surface-finished for a longer service life
▪ Sloped tank bottom for better draining of the cleaning liquid
▪ 2-year warranty on the unit from the initial operation, but no longer than 3 years from the production date
▪ 3-year warranty on the welded tank from the initial operation, but no longer than 4 years from the production date

Technical specifications serve as orientation values and are subject to tolerances due to production and manufacturing. Proper operation can only be guaranteed when using original Elma accessories.

Elmasonic Xtra

Technical Data - Mechanics

Device size	Unit	40	60	120	180	300
Total volume V	L	5,0	6,3	14,2	19,7	30,0
Recommended tank operating capacity V_a	L	4,0	5,1	12,1	16,7	25,4
Max. external dimensions W / D / H	mm	435 x 215 x 330	500 x 215 x 330	500 x 315 x 380	530 x 380 x 380	700 x 380 x 380
Interior dimensions $W_1 / D_1 / H_1$ (tank)	mm	235 x 135 x 150	300 x 135 x 150	300 x 235 x 190	330 x 295 x 190	500 x 295 x 190
Weight on delivery	Kg	6,8	7,9	11,3	13,2	17,8
Drain connection thread	Inches	1/2				
Interior dimensions of basket $W_3 / D_3 / H_3$ (original accessories)	mm	195 x 105 x 95	255 x 105 x 95	245 x 195 x 135	275 x 255 x 135	445 x 255 x 135
Max. basket loading (original accessories)	Kg	3,0	5,0	7,0	8,0	10,0

Technical specifications serve as orientation values and are subject to tolerances due to production and manufacturing. Proper operation can only be guaranteed when using original Elma accessories.

Elmasonic Xtra

Technical Data - Electronics

Device size	Unit	40	60	120	180	300
Mains voltage $\pm 10\%$	V~	220 - 240 / 115 - 120				
Mains frequency	Hz	50 / 60				
Ultrasonic frequency -2,5 / +5,5	kHz	37				
Power consumption total	W	540	560	1020	1260	1530
Ultrasonic power effective $\pm 10\%$	W	140	160	220	260	330
Ultrasonic peak power max.	W	560	640	880	1040	1320
Heating power	W	400	400	800	1000	1200
Temperature	°C	30 - 80				
Protection class	IP	20				
Sound pressure level (LpAU)*	dB	< 80				

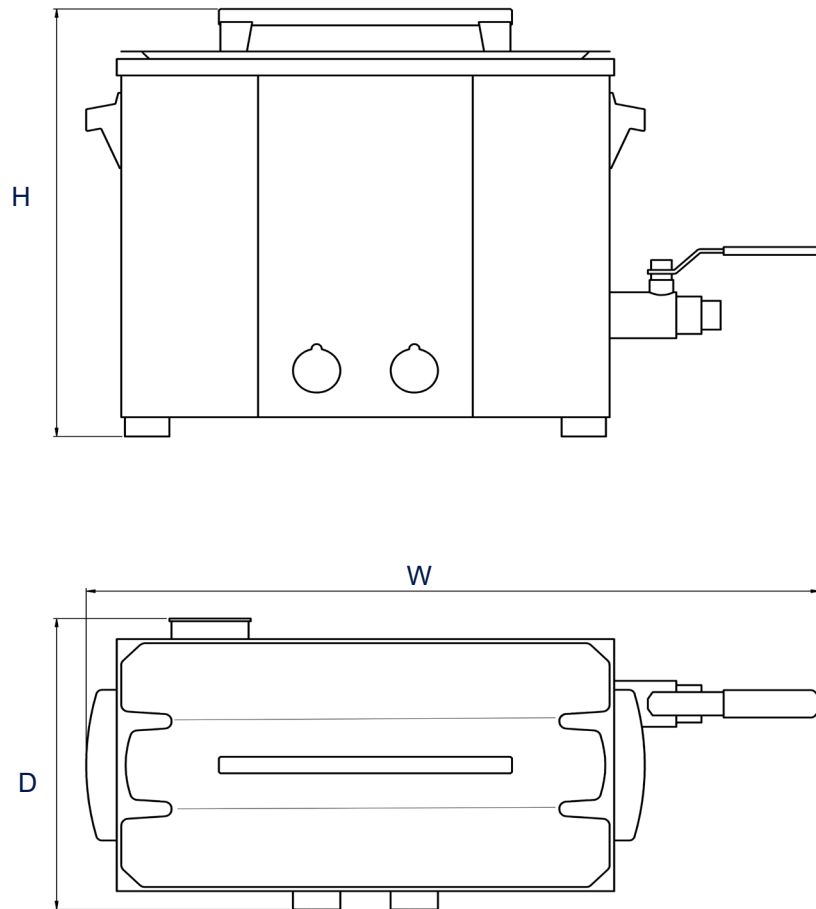
* Measured sound pressure level with basket and cover at 1 m distance.

Technical specifications serve as orientation values and are subject to tolerances due to production and manufacturing. Proper operation can only be guaranteed when using original Elma accessories.

Elmasonic Xtra

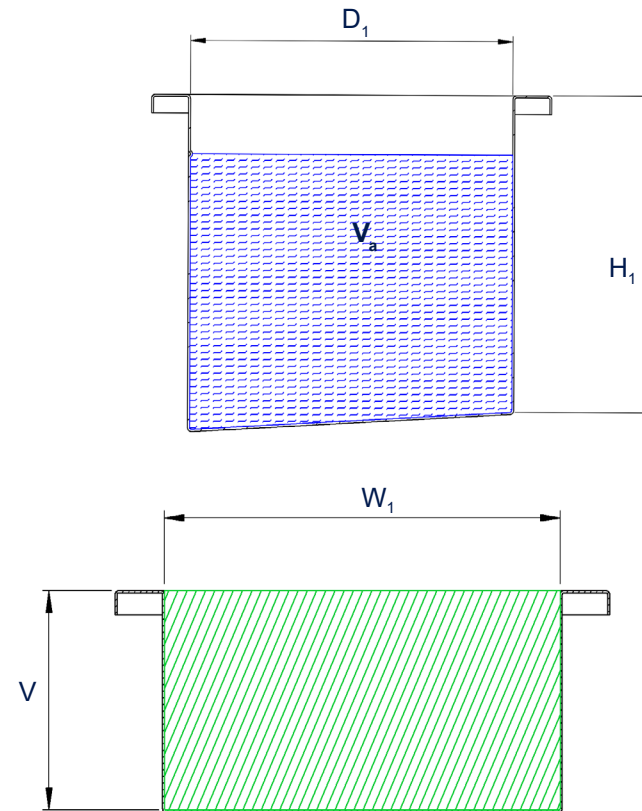
Dimension definition

Unit outer dimensions



Tank internal dimensions

V_a : recommended operating capacity of the cleaning tank
(The actual operating capacity depends on the load.)



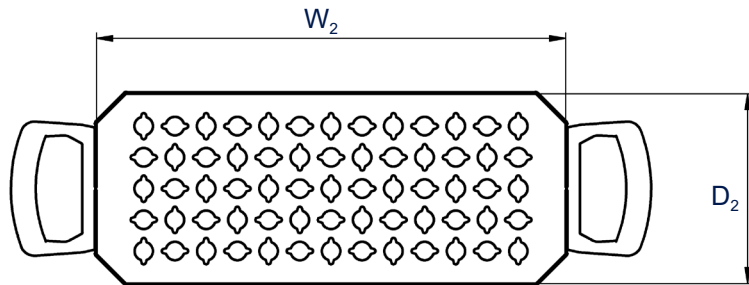
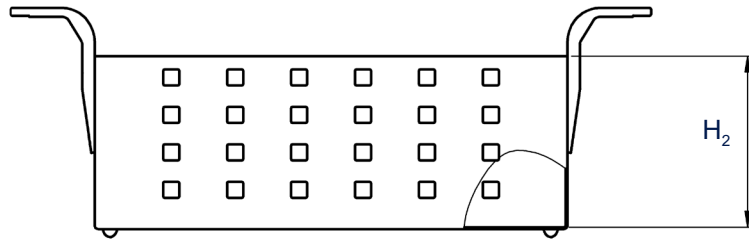
The drawings are meant as a visualization aid and are not true to scale.

Technical specifications serve as orientation values and are subject to tolerances due to production and manufacturing. Proper operation can only be guaranteed when using original Elma accessories.

Elmasonic Xtra

Dimension definition

Basket internal dimensions



The drawings are meant as a visualization aid and are not true to scale.

Technical specifications serve as orientation values and are subject to tolerances due to production and manufacturing. Proper operation can only be guaranteed when using original Elma accessories.