

Elmasonic Accessory - Elma Dry

Drying devices

- from Elma Dry 120 suitable for the use of different basket sizes
- simple and quick operation via a toggle switch with three positions: Off, warm air, cold air
- drying temperature max. 70 °C
- cooling temperature to room temperature
- cover to save energy and to create an effective flow turbulence around the material to be dried
- automatic safety shutdown if temperature is too high
- dust filter (replaceable) prevents dust from the room air from re-contaminating the material to be dried (filter fineness 33ppi)
- stainless steel housing, drip-proof
- very gentle air flow for sensitive parts
- Product contents:
 - 1x Elma Dry 30, 120 or 300, 1x Cover,
 - 1x Power cable with rubber connector (2 m length), 1x Operating manual



Device size	30	120	300
Order number 220 - 240 V~	1082175	1078542	1078575
Order number 115 - 120 V~	1082662	1082664	1082666

Technical specifications serve as orientation values and are subject to tolerances due to production and manufacturing. Proper operation can only be guaranteed when using original Elma accessories.

Elmasonic Accessory - Elma Dry

Drying devices

Technical Data - Mechanics

Elma Dry	30	120	300
Device ext. dimensions W / D / H (mm)	300 / 186 / 219	362 / 285 / 322	568 / 347 / 322
Tank int. dimensions W ₁ / D ₁ / H ₁ (mm)	220 / 120 / 95	275 / 215 / 195	475 / 270 / 195
Opening dimensions W ₂ / D ₂ (mm)	235 / 135	295 / 235	500 / 395
Mesh size Y x Z (mm)	2 x 0,63		
Weight incl. cover (kg)	3,6	6,1	10,2
Load max. (kg)	1	7	12
Suitable basket sizes			
Elmasonic S, P, Med, Select, Easy	1 x 30/40	2 x 30/40 1 x 100/120	3 x 60 1 x 60 + 1 x 100/120 2 x 100/120 1 x 150/300
Elmasonic xtra TT	--	2 x 30 1 x 60	1 x 30 1 x 60 1 x 120 1 x 200
xtra 30, 50, 70, 150	--	1 x 30 1 x 50	3 x 30 1 x 70 1 x 150

Technical specifications serve as orientation values and are subject to tolerances due to production and manufacturing. Proper operation can only be guaranteed when using original Elma accessories.

Elmasonic Accessory - Elma Dry

Drying devices

Technical Data - Electronics

Elma Dry	30	120	300
Mains voltage (V~)	220 - 240 / 115 - 120		
Mains frequency (Hz)	50 / 60		
Heating power (W)	480	550	1100
Power (W)	500	570	1140
Temperature max. (°C)	70		
Heating time (min)	~ 15		
Air output max. (m³/h)	160		320

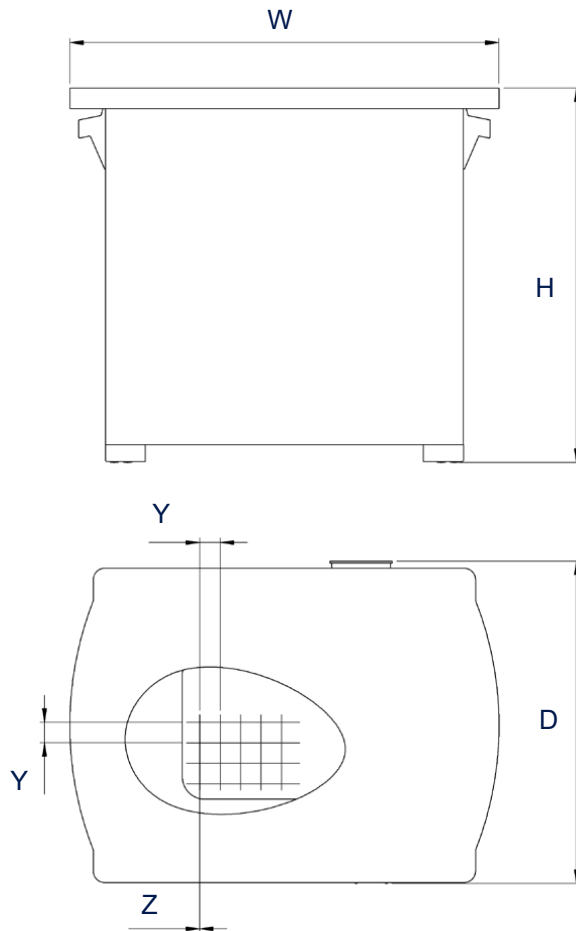
Technical specifications serve as orientation values and are subject to tolerances due to production and manufacturing. Proper operation can only be guaranteed when using original Elma accessories.

Elmasonic Accessory - Elma Dry

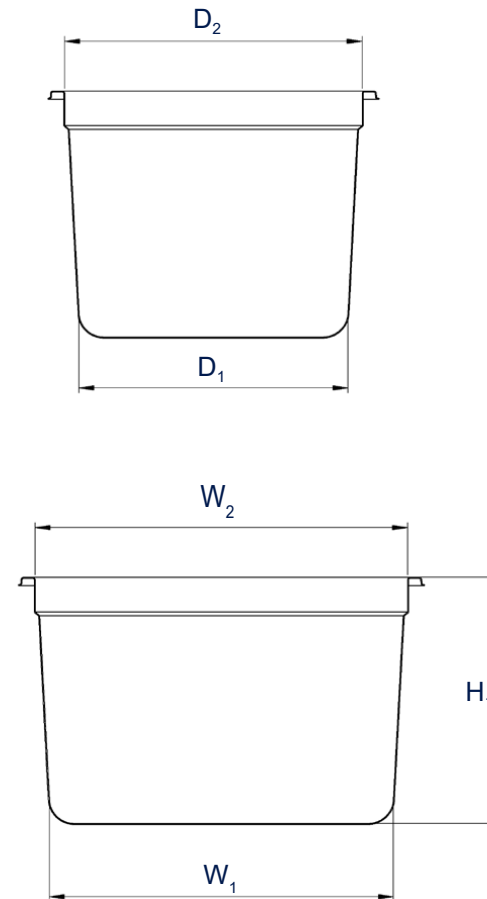
Drying devices

Dimension definition

Device outer dimensions



Tank internal dimensions



The drawings are meant as a visualization aid and are not true to scale.

Technical specifications serve as orientation values and are subject to tolerances due to production and manufacturing. Proper operation can only be guaranteed when using original Elma accessories.