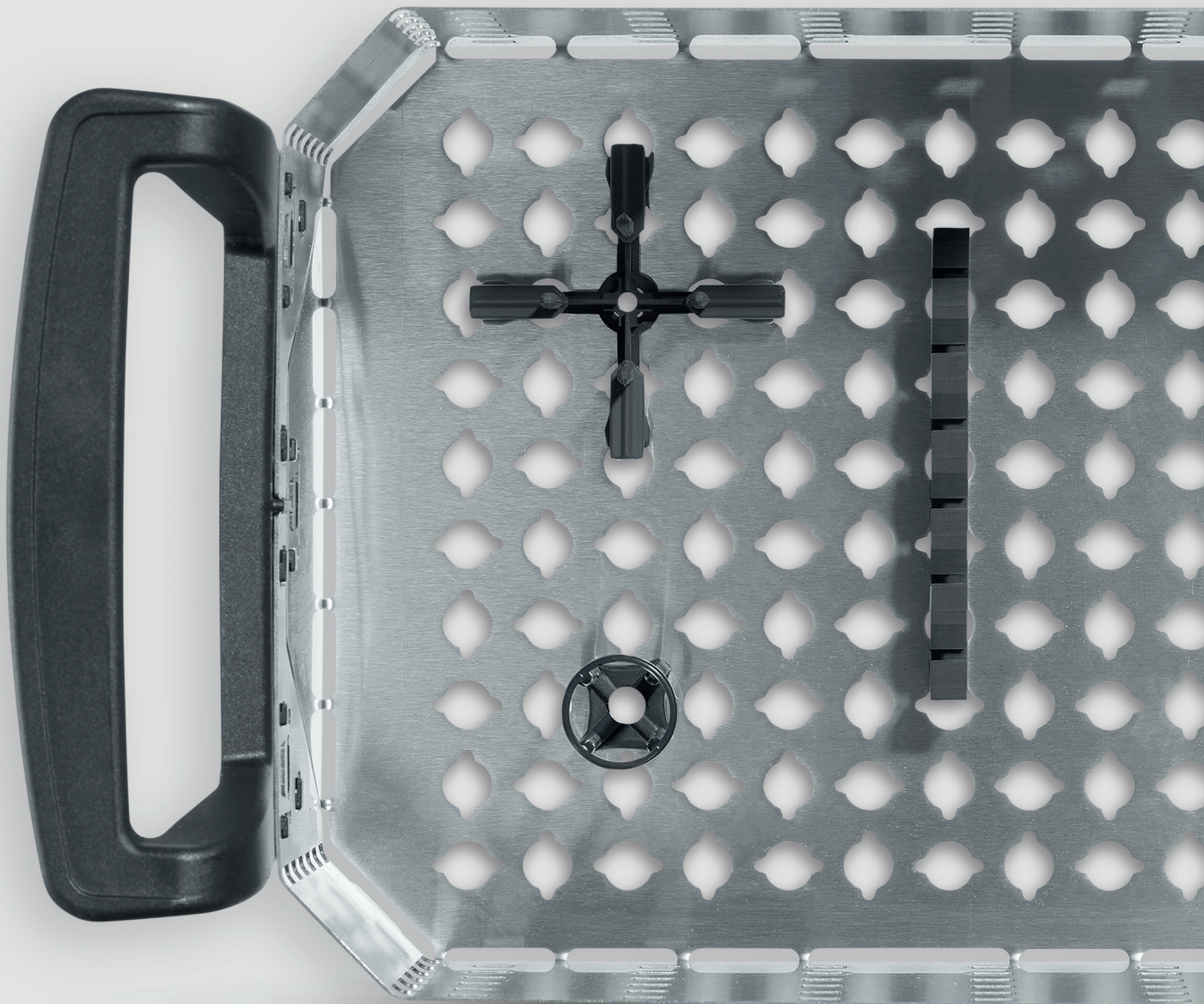


Elmasonic Table top devices Accessories

Product Information



Contents

- Modular basket system	3
Modular basket	3
Level set	9
Dividing wall set	13
Holder set	15
Silicone holder set	18
Elma starter Kit	19
Elma Pin Set	20
Silicone holder set (Bottom comb / Side comb)	23
Basket for small parts	26
- Baskets	28
Basket	28
- Covers	29
Stainless steel cover	29
Plastic cover	31
Noise protection covers	34
- Holders	35
Equipment holder for laboratory tubes	35
Equipment holder for sieves	35
Test tube holder	36
Holder for reaction tubes	39
Holder with hooks	41
Ring stand	44
Holding clamp for Erlenmeyer flasks	45
Dental-Tray holder	47
- Inserts	49
Acid resistant insert tray	49
BD-Steribox	52
Cleaning cup	54
Cleaning glasses	56
Insert cover	58
Immersion baskets	67
Silicone mats	69
Hostal tub	72
Small parts holder	74
- Practicals	75
Cooling coil	75
Drain sieve	77
Sieve cleaning module SRH 4 / 200	78
- Elma Mutebox	80
- Elma Sink	83
- Elma Dry	87
Elmasonic Easy R Accessories	91
Plastic cover	91
Plastic cover with hole	92
Basket of goods	93
Laboratory glass holder set	94

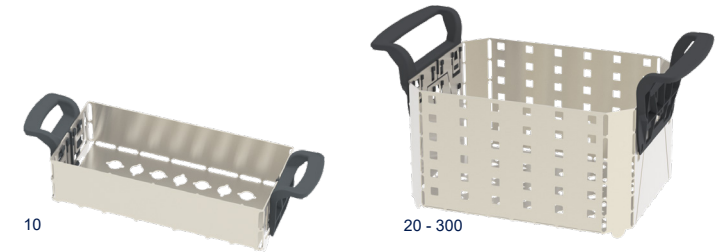
Product Information



Elmasonic Accessories - Modular basket system

Modular basket

- Stainless steel with plastic handles
- Ergonomic handles
- Autoclavable
- Bayonet holes in the bottom for mounting holders (e.g. Elma Pin, silicone holder bottom comb)
- Square openings in the side walls (20 - 300) for mounting silicone holders



Order numbers and sizes

Basket size	10	20	30	40	60	70	80	100	120	180	300
Order number	1117923	1119922	1108916	1113045	1113050	1127527	1111838	1113387	1113390	1113404	1113072

Mechanical data

Basket size	Unit	10	20	30	40	60	70	80	100	120	180	300
Internal dimensions of basket W / D / H	mm	155 / 70 / 35	110 / 105 / 50	195 / 105 / 50	195 / 105 / 95	255 / 105 / 95	455 / 105 / 50	455 / 105 / 95	245 / 195 / 90	245 / 195 / 135	275 / 255 / 135	445 / 255 / 135
Chamfer U / V	mm	--	20 / 20						25 / 25			
Hole diameter bottom Y / Z	mm	11 / 15										
Hole diameter sides Y ₁ / Z ₁	mm	--	10 / 10									
Max. basket loading	Kg	1,0	1,0	1,0	3,0	5,0	5,0	5,0	6,0	7,0	8,0	10,0

Technical specifications serve as orientation values and are subject to tolerances due to production and manufacturing. Proper operation can only be guaranteed when using original Elma devices.

Elmasonic Accessories - Modular basket system

Modular basket

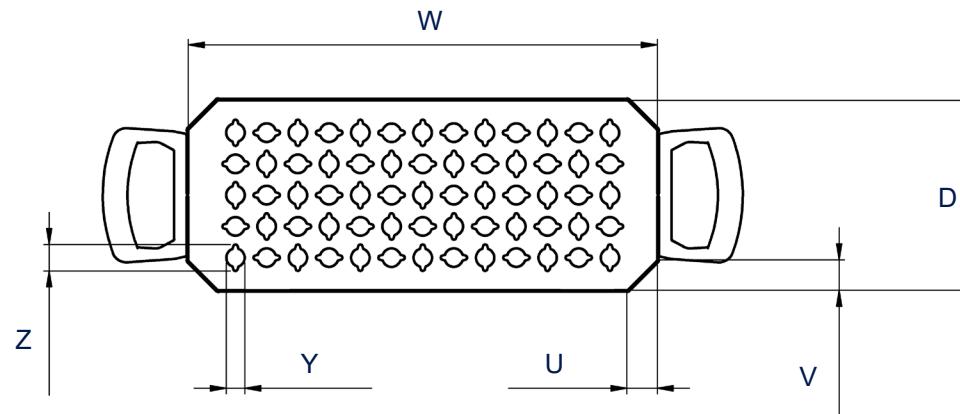
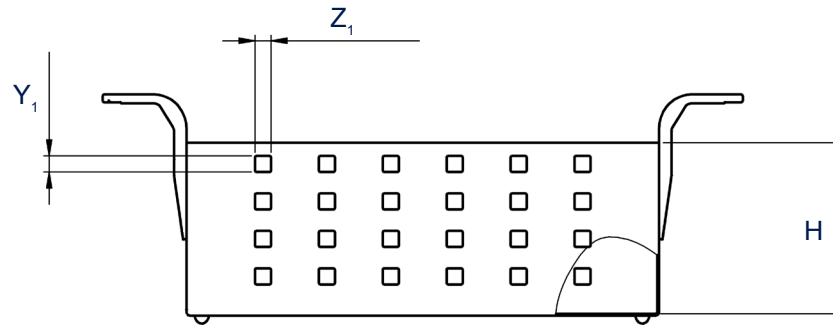
Configuration

Basket size	10	20	30	40	60	70	80	100	120	180	300
Elmasonic Easy	•	•	•	•	•			•	•	•	•
Elmasonic Med			•		•			•	•	•	•
Elmasonic Select			•	•	•		•	•	•	•	•
Elmasonic P			•		•	•			•	•	•
Elmasonic Xtra				•	•				•	•	•
Elma Dry			•	•	•			•	•		•
Elma Sink		•	•	•	•	•	•	•	•	•	•

Elmasonic Accessories - Modular basket system

Modular basket

Dimension definition



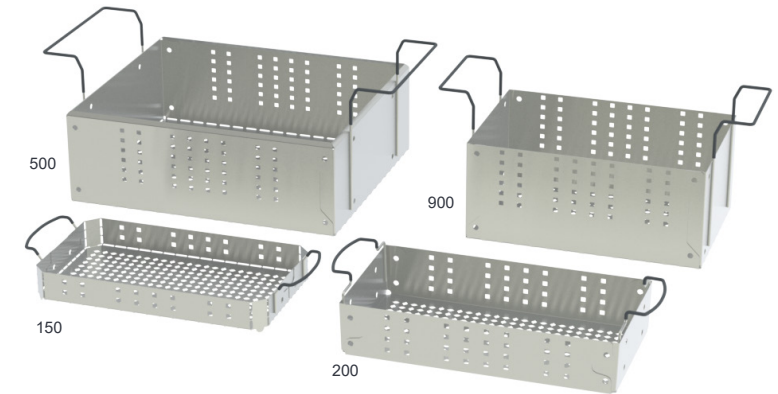
The drawings are meant as a visualization aid and are not true to scale.

Technical specifications serve as orientation values and are subject to tolerances due to production and manufacturing. Proper operation can only be guaranteed when using original Elma devices.

Elmasonic Accessories - Modular basket system

Modular basket

- Made of stainless steel with Rilsan coated handles
- Ergonomic handles
- Autoclavable
- Bayonet holes in the bottom for mounting holders (e.g. Elma Pin, silicone holder bottom comb)
- Square openings in the side walls for mounting silicone holders
- The basket 200 (order no. 1108458) also serves as a holder for sterilisation baskets
 - DIN 1 / 1 short (W / D - 485 / 253 mm) (H - max. 100 mm)
 - DIN 3 / 4 (W / D - 406 / 253 mm) (H - max. 100 mm)



Order numbers and s

Basket size	150	200	500	900
Order number	1113110	1108458	1107675	1107641

Mechanical data

Basket size	Unit	150	200	500	900
Internal dimensions of basket W / D / H	mm	450 / 255 / 55	480 / 225 / 95	460 / 300 / 195	545 / 460 / 190
Chamfer U / V	mm	25 / 25	--		
Hole diameter bottom Y / Z	mm	11 / 15			
Hole diameter sides Y ₁ / Z ₁	mm	10 / 10			
Max. basket loading	Kg	7,0	4,0	20,0	30,0

Technical specifications serve as orientation values and are subject to tolerances due to production and manufacturing. Proper operation can only be guaranteed when using original Elma devices.

Elmasonic Accessories - Modular basket system

Modular basket

Configuration

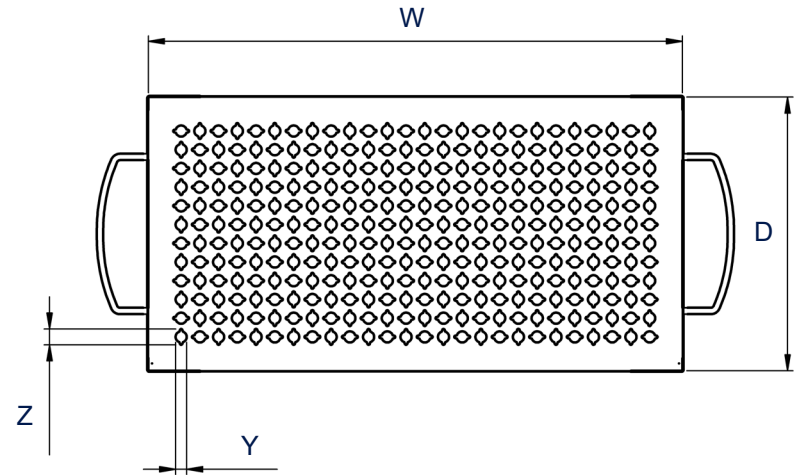
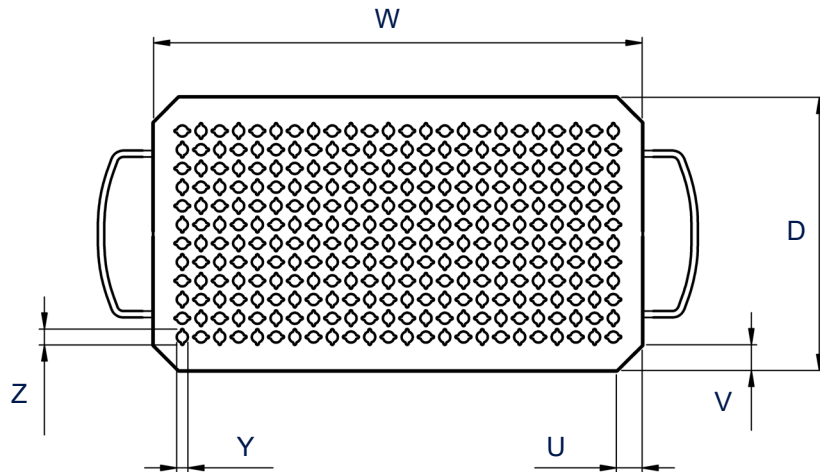
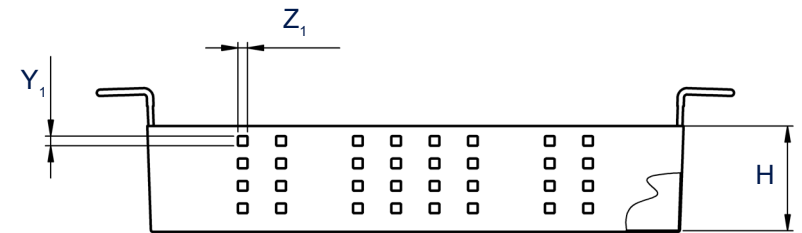
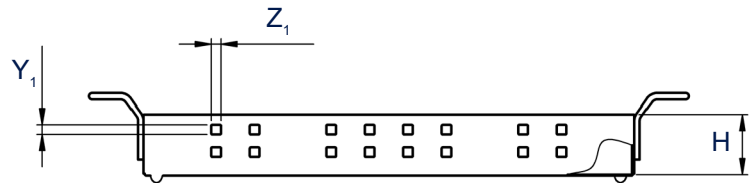
Basket size	150	200	500	900
Elmasonic Med		•	•	•
Elmasonic Select	•		•	•
Elma Dry	•			
Elma Sink	•			

Elmasonic Accessories - Modular basket system

Modular basket

Dimension definition

150 200, 500, 900



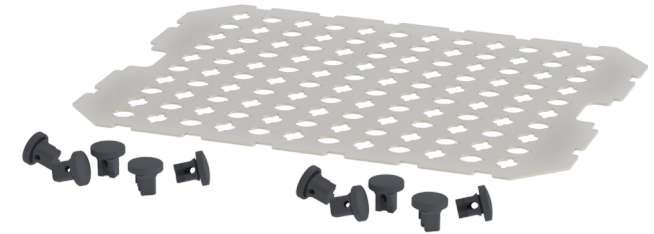
The drawings are meant as a visualization aid and are not true to scale.

Technical specifications serve as orientation values and are subject to tolerances due to production and manufacturing. Proper operation can only be guaranteed when using original Elma devices.

Elmasonic Accessories - Modular basket system

Level set

- Level made of stainless steel
- For horizontal division of the modular basket
- Maximum one horizontal division per modular basket allowed
- The level can be used at different heights
- Autoclavable
- Bayonet holes in the bottom for mounting holders (e.g. Elma Pin, silicone holder bottom comb)



Order numbers and

s

Level set	S	M	L	XL
Order number	1125225	1125226	1125227	1125228

Scope of delivery

Level set S, M:	Level set L, XL:
<ul style="list-style-type: none"> • Level set S or M 	<ul style="list-style-type: none"> • Level set L or XL
<ul style="list-style-type: none"> • 5x Silicone holder 	<ul style="list-style-type: none"> • 10x Silicone holder

Technical specifications serve as orientation values and are subject to tolerances due to production and manufacturing. Proper operation can only be guaranteed when using original Elma devices.

Elmasonic Accessories - Modular basket system

Level set

Mechanical data

Level set	Unit	S	M	L	XL
Max. external dimensions W / D / H	mm	195 / 105 / 1	255 / 105 / 1	250 / 195 / 1	285 / 250 / 1
Hole diameter Dia	mm	11 / 15			
Weight per level	g	110	150	280	410
Max. loading weight per basket size and level	Kg	1,0	1,0	2,0	2,0

Configuration

Level set	S	M
Basket size 30	1 set	
Basket size 40	1 set	
Basket size 60		1 set
Basket size 80	2 sets side by side	

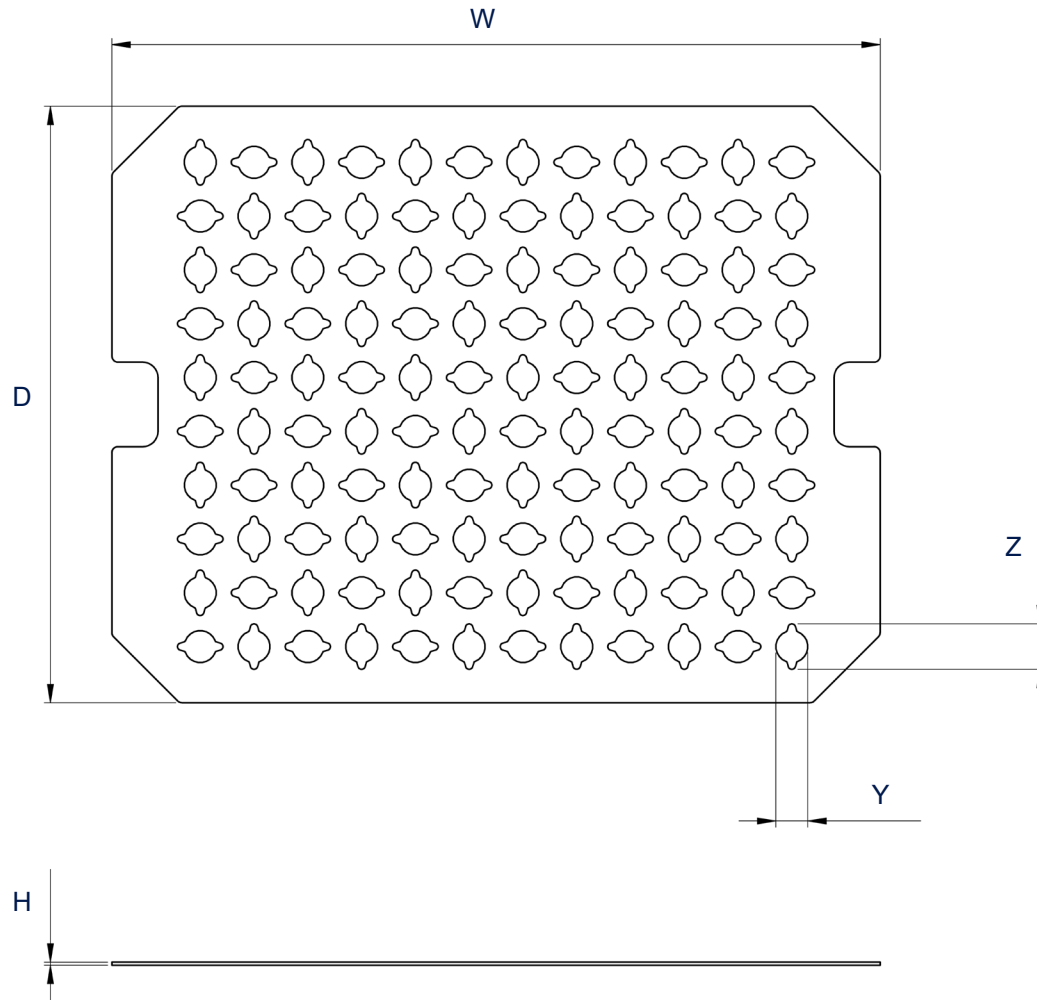
Level set	L	XL
Basket size 100	1 set	
Basket size 120	1 set	
Basket size 150	2 sets side by side	
Basket size 180		1 set
Basket size 300	2 sets side by side	

Technical specifications serve as orientation values and are subject to tolerances due to production and manufacturing. Proper operation can only be guaranteed when using original Elma devices.

Elmasonic Accessories - Modular basket system

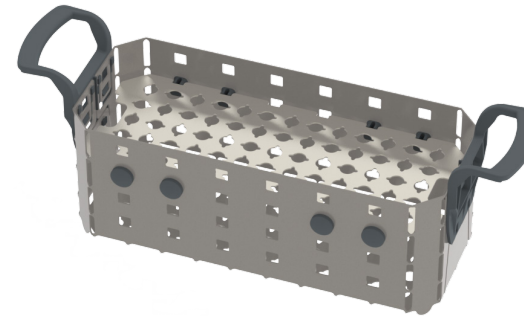
Level set

Dimension definition

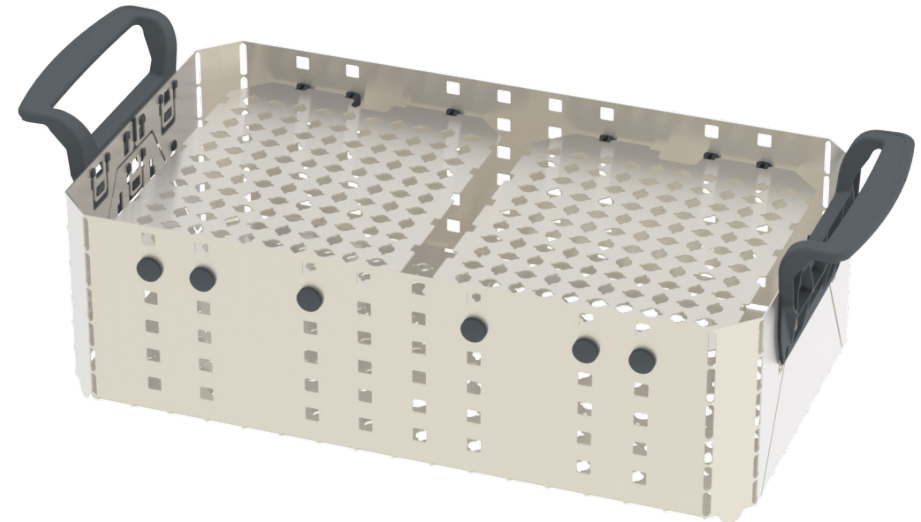


Example of application

Basket size 60 with Level set size M



Basket size 300 with 2 Level sets size L side by side



The drawings are meant as a visualization aid and are not true to scale.

Technical specifications serve as orientation values and are subject to tolerances due to production and manufacturing. Proper operation can only be guaranteed when using original Elma devices.

Elmasonic Accessories - Modular basket system

Dividing wall set

- Dividing wall made of stainless steel
- For vertical division of the modular basket
- Autoclavable
- Square openings in the side walls for mounting silicone holders

Order numbers and sizes

Dividing wall set	S low	S high	M	L low	L high
Order number	1125220	1125221	1125222	1125223	1125224

Scope of delivery

Dividing wall set S low, S high, M, L low, L high:
<ul style="list-style-type: none"> • 2x Dividing wall S low, S high, M, L low or L high
<ul style="list-style-type: none"> • 10x Silicone holder

Technical specifications serve as orientation values and are subject to tolerances due to production and manufacturing. Proper operation can only be guaranteed when using original Elma devices.

Elmasonic Accessories - Modular basket system

Dividing wall set

Mechanical data

Dividing wall set	Unit	S low	S high	M	L low	L high
Max. external dimensions W / D / H	mm	105 / 50 / 1	105 / 90 / 1	200 / 90 / 1	255 / 50 / 1	255 / 130 / 1
Hole diameter Y / Z	mm	10 / 10				
Weight per dividing wall set	g	70	40	130	100	230

Configuration

Dividing wall set	S low	S high	M	L low	L high
Basket size 20	1 Set				
Basket size 30	2 Sets				
Basket size 40	2 Sets	2 Sets			
Basket size 60	2 Sets	2 Sets			
Basket size 80	4 Sets	4 Sets			
Basket size 100	2 Sets*	2 Sets*	2 Sets		
Basket size 120	2 Sets*	2 Sets*	2 Sets		
Basket size 150	4 Sets*			4 Sets	
Basket size 180	2 Sets*	2 Sets*			2 Sets
Basket size 300	4 Sets*	4 Sets*			2 Sets

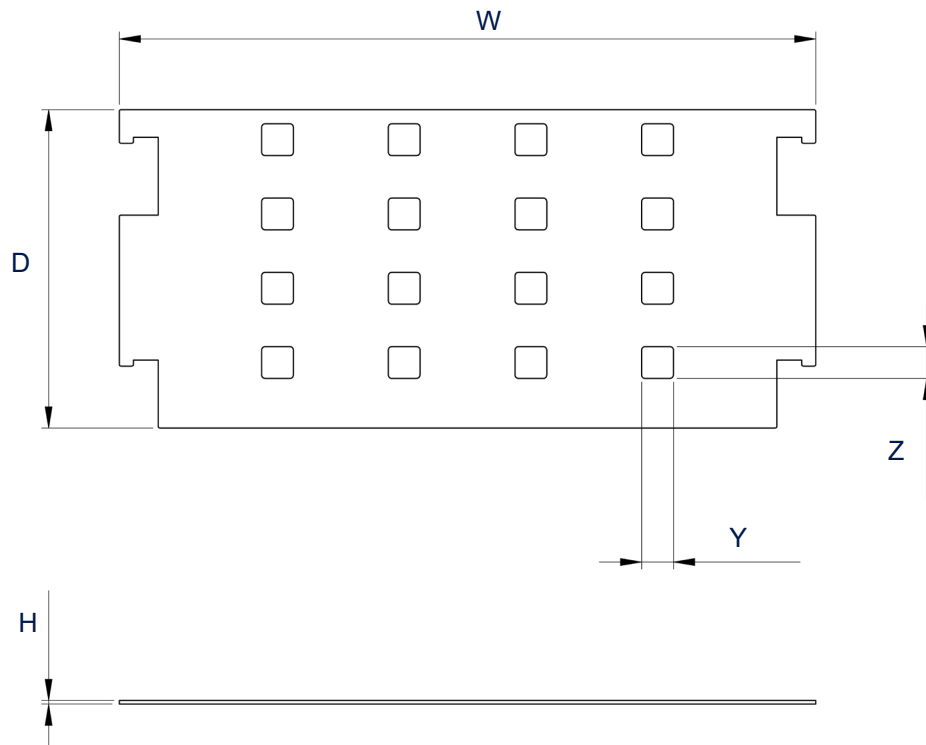
* Can only be mounted with the corresponding partition set M, L low and L high

Technical specifications serve as orientation values and are subject to tolerances due to production and manufacturing. Proper operation can only be guaranteed when using original Elma devices.

Elmasonic Accessories - Modular basket system

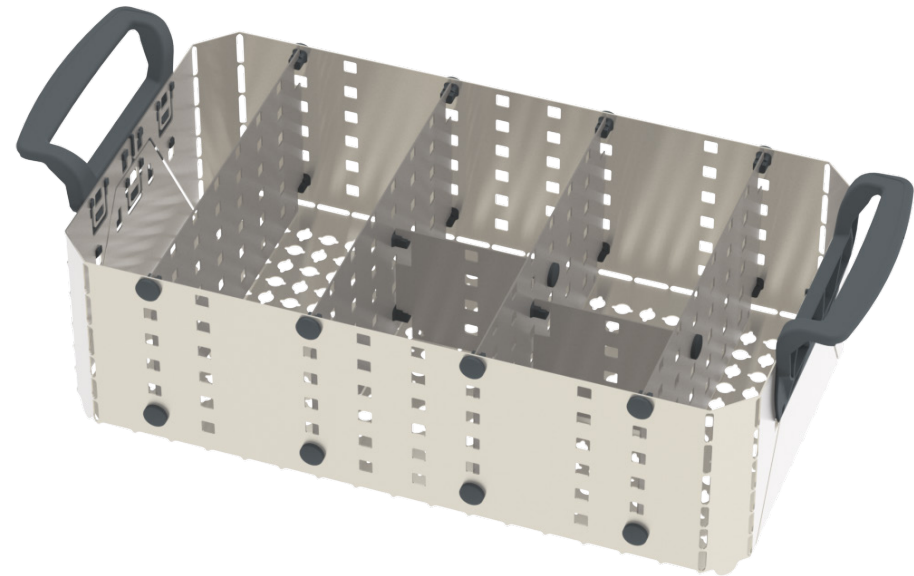
Dividing wall set

Dimension definition

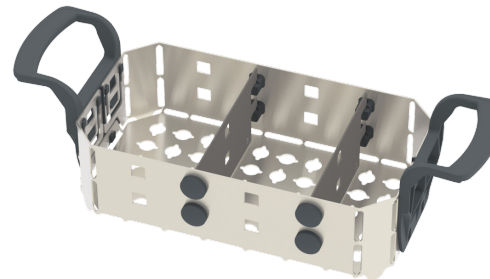


Example of application

Basket size 300 with 2x Dividing wall set L high + 1x Dividing wall set S high



Basket size 30 with 1x Dividing wall set S low



The drawings are meant as a visualization aid and are not true to scale.

Technical specifications serve as orientation values and are subject to tolerances due to production and manufacturing. Proper operation can only be guaranteed when using original Elma devices.

Elmasonic Accessories - Modular basket system

Holder set

- Made of stainless steel
- Holder hooks Rilsan-coated
- Holder hooks with 10 hooks
- Holder hooks for holding e.g. jewelry and watch parts
- Holder shaft with 4 shaft
- Holder shaft for holding e.g. Impression tray
- From device size 100, partitions are required for mounting the brackets

Order numbers and s

Holder set	Hooks + Shaft
Order number	1125219

Scope of delivery

Holder set:	
• Holder hooks	• 10x Silicone holder
• Holder shaft	

Technical specifications serve as orientation values and are subject to tolerances due to production and manufacturing. Proper operation can only be guaranteed when using original Elma Devices.

Elmasonic Accessories - Modular basket system

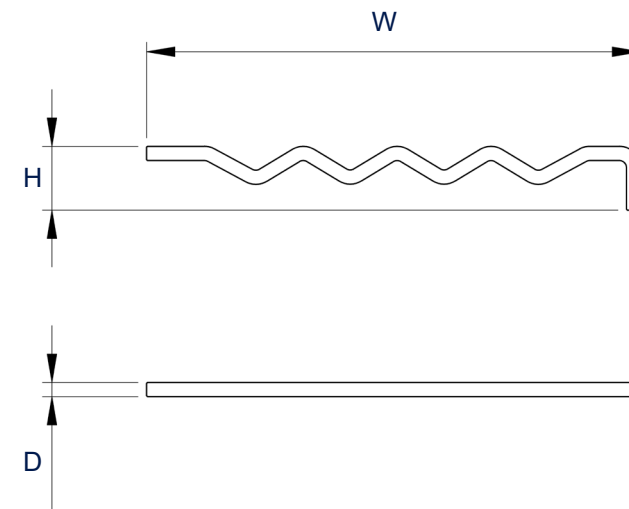
Holder set

Mechanical data

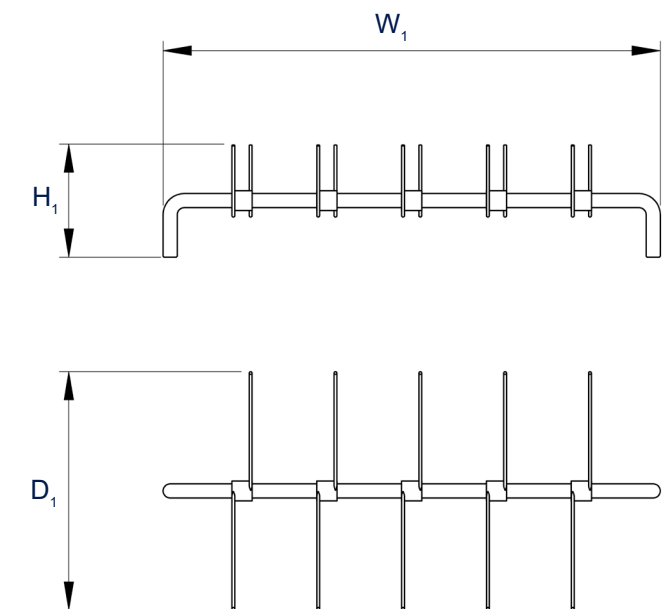
Holder set	Unit	Hooks + Shaft
Max. external dimensions Holder shaft W / D / H	mm	105 / 3 / 15
Max. external dimensions Holder hooks W ₁ / D ₁ / H ₁	mm	110 / 55 / 25
Weight bracket shaft	g	7
Weight holder hook	g	9

Dimension definition

Holder shaft



Holder hooks



The drawings are meant as a visualization aid and are not true to scale.

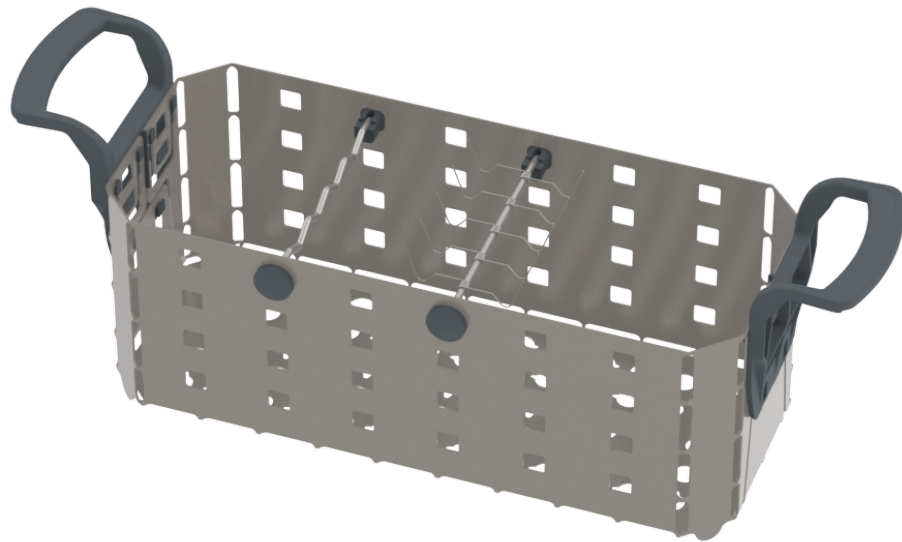
Technical specifications serve as orientation values and are subject to tolerances due to production and manufacturing. Proper operation can only be guaranteed when using original Elma Devices.

Elmasonic Accessories - Modular basket system

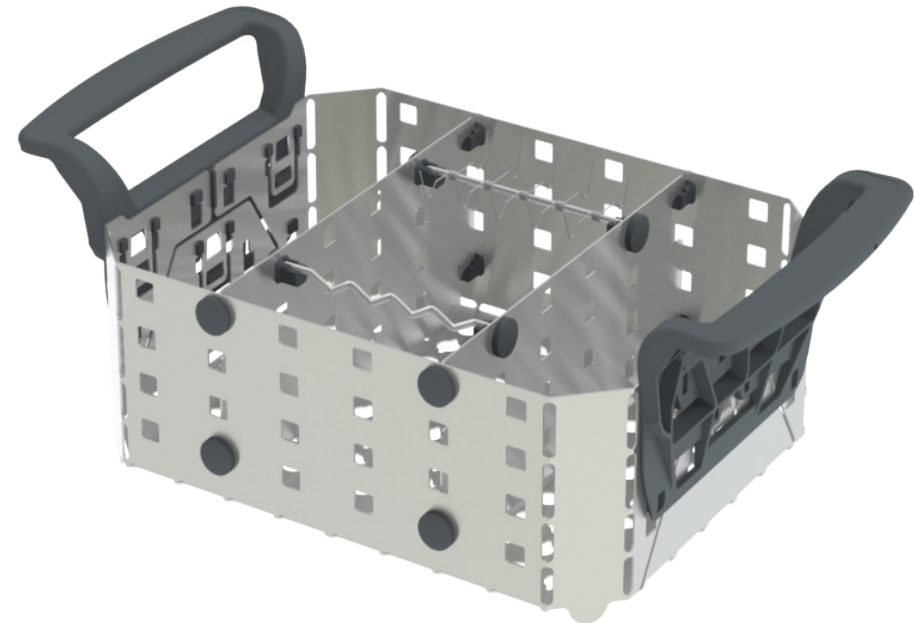
Holder set

Example of application

Basket size 60 with 1x Holder set



Basket size 100 with 1x Holder set and 1x Dividing wall set M



The drawings are meant as a visualization aid and are not true to scale.

Technical specifications serve as orientation values and are subject to tolerances due to production and manufacturing. Proper operation can only be guaranteed when using original Elma devices.

Elmasonic Accessories - Modular basket system

Silicone holder set

- For mounting levels, dividing walls and supports
- Easy handling
- Easy positioning

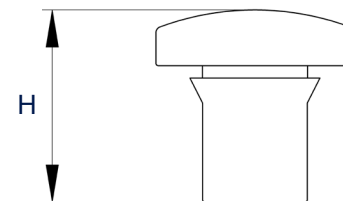
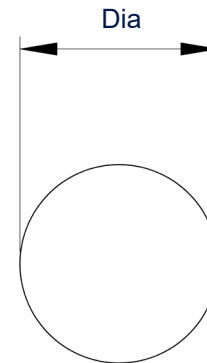


Order numbers and

s

Silicone holder set	
Order number	1125208

Dimension definition



Mechanical data

Silicone holder set	Unit	
Max. external dimensions Dia / H	mm	ø 20 / 20
Weight per silicone holder	g	4

Scope of delivery

Silicone holder set:
• 10x Silicone holder

The drawings are meant as a visualization aid and are not true to scale.

Technical specifications serve as orientation values and are subject to tolerances due to production and manufacturing. Proper operation can only be guaranteed when using original Elma Devices.

Elmasonic Accessories - Modular basket system

Elma starter Kit

- For further features on the individual Elma pins and silicone holders, see page 20 onwards

Order numbers and

s

Elma starter Kit	
Order number	1124042



Scope of delivery

Elma starter Kit:			
• 3x Elma Pin 0741	• 2x Elma Pin 0509	• 2x Elma Pin 0767	• 2x Elma Pin 0021R
• 3x Elma Pin 0772	• 2x Elma Pin 0158	• 2x Elma Pin 0613+0614	• 2x Elma Pin 0001R

Technical specifications serve as orientation values and are subject to tolerances due to production and manufacturing. Proper operation can only be guaranteed when using original Elma Devices.

Elmasonic Accessories - Modular basket system

Elma Pin Set

- Made of plastic
- Color: Black
- For mounting and holding various components
- Bayonet lock for easy mounting on the bottom of the baskets and on the levels
- Elma Pin 0613 + 0614 is adjustable



Order numbers and s

Elma Pin Set	0509	0158	0767	0613 + 0614	0741	0772	0021R	0001R
Order number	1125209	1125210	1125211	1125212	1125214	1125213	1125216	1125215
								

Scope of delivery

Elma Pin Set 0509, 0158, 0767, 0741, 0772, 0021R, 0001R	Elma Pin Set 0613 + 0614
• 10x Elma Pin 0509, 0158, 0767, 0741, 0772, 0021R or 0001R	• 10x Elma Pin 0613
	• 10x Elma Pin 0614

Technical specifications serve as orientation values and are subject to tolerances due to production and manufacturing. Proper operation can only be guaranteed when using original Elma devices.

Elmasonic Accessories - Modular basket system

Elma Pin Set

Mechanical data

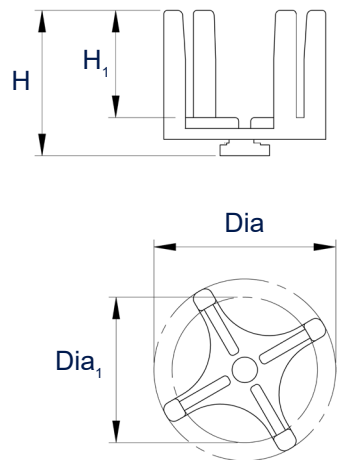
Elma Pin Set	Unit	0509	0158	0767	0613 + 0614	0741	0772	0021R	0001R
Max. external dimensions 1 Dia / H	mm	ø 30 / 35	ø 50 / 40	ø 85 / 50	55 - 75 / 45	ø 25 / 30	ø 25 / 55	ø 25 / 55	ø 40 / 75
Internal dimensions Dia ₁ / H ₁	mm	ø 20 / 20	ø 40 / 25	ø 65 / 35	3,5 - 25 / 20	ø 4 / 15	ø 5 / 40	ø 15 / 40	ø 30 / 65
External dimensions 2 Dia ₂	mm	--	--	--	ø 15 - 40	--	--	--	--
Weight per Elma Pin	g	3	8	20	9	3	3	6	12

Elmasonic Accessories - Modular basket system

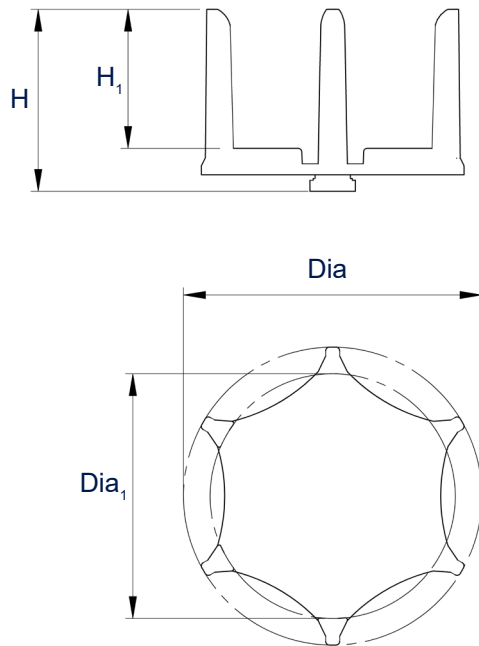
Elma Pin Set

Dimension definition

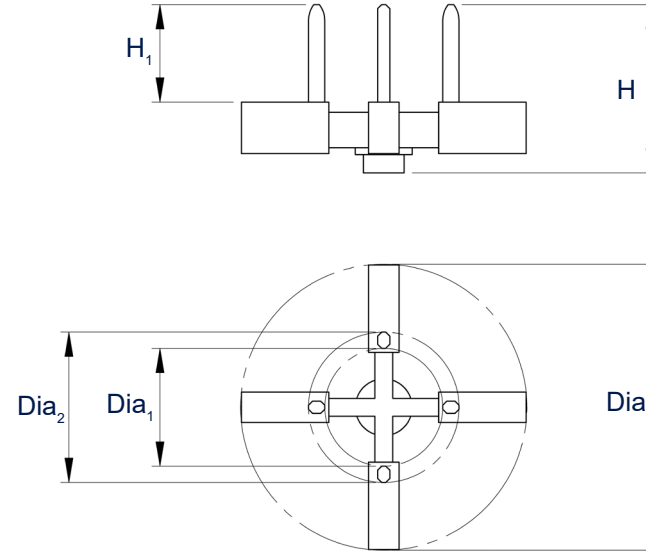
Elma Pin 0509 & 0158



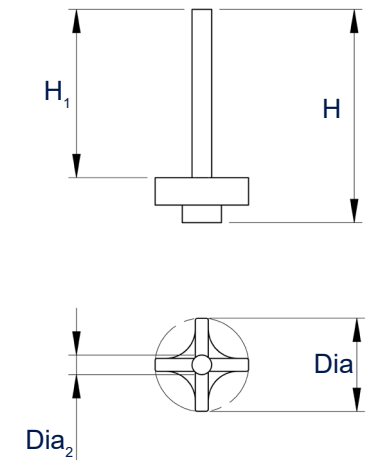
Elma Pin 0767



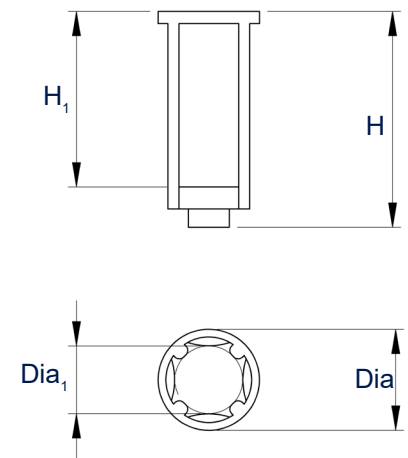
Elma Pin 0613 + 0614



Elma Pin 0741 & 0772



Elma Pin 0021R & 0001R



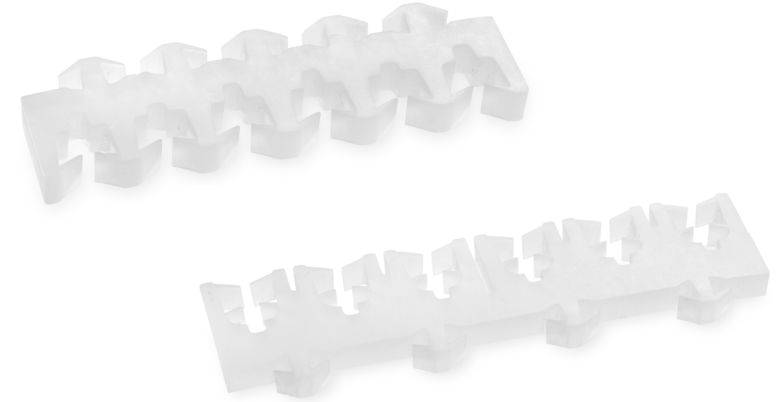
The drawings are meant as a visualization aid and are not true to scale.

Technical specifications serve as orientation values and are subject to tolerances due to production and manufacturing. Proper operation can only be guaranteed when using original Elma Devices.

Elmasonic Accessories - Modular basket system

Silicone holder set (Bottom comb / Side comb)

- For holding various instruments, containers (e.g. flasks) and workpieces
- Color: White



Order numbers and s

Silicone holder set	Bottom comb	Side comb
Order number	1125217	1125218

Scope of delivery

Silicone holder set Bottom comb:	Silicone holder set Side comb:
• 10x Silicone holder Bottom comb	• 5x Silicone holder Side comb

Technical specifications serve as orientation values and are subject to tolerances due to production and manufacturing. Proper operation can only be guaranteed when using original Elma Devices.

Elmasonic Accessories - Modular basket system

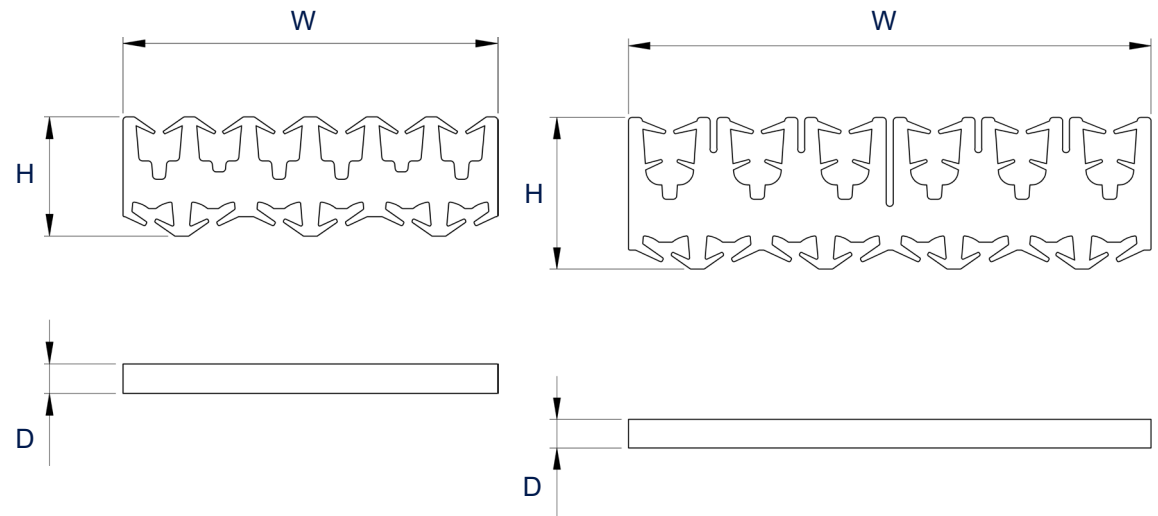
Silicone holder set (Bottom comb / Side comb)

Mechanical data

Silicone holder set	Unit	Bottom comb	Side comb
Max. external dimensions W / D / H	mm	105 / 10 / 35	150 / 10 / 45
Weight per silicone holder	g	35	71



Dimension definition



The drawings are meant as a visualization aid and are not true to scale.

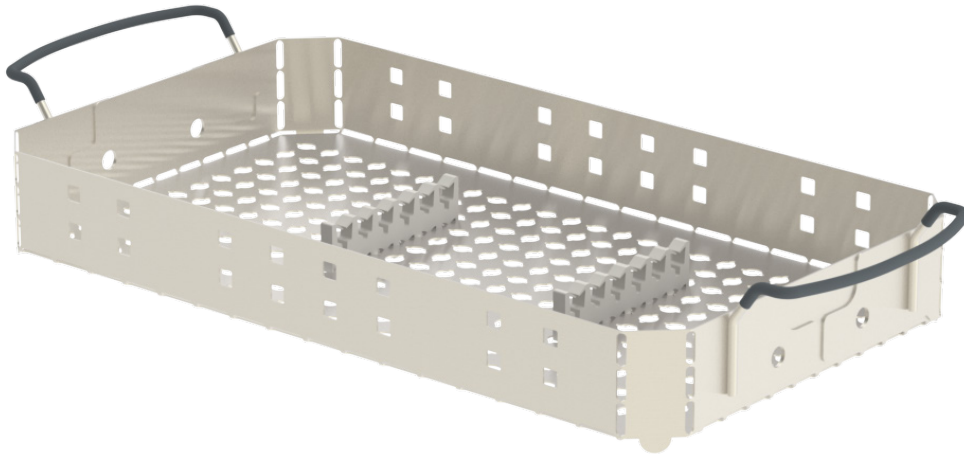
Technical specifications serve as orientation values and are subject to tolerances due to production and manufacturing. Proper operation can only be guaranteed when using original Elma Devices.

Elmasonic Accessories - Modular basket system

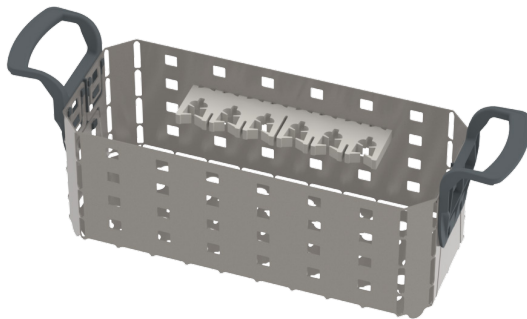
Silicone holder set (Bottom comb / Side comb)

Example of application

Basket size 150 with 2x Bottom comb



Basket size 60 with 1x Side comb



The drawings are meant as a visualization aid and are not true to scale.

Technical specifications serve as orientation values and are subject to tolerances due to production and manufacturing. Proper operation can only be guaranteed when using original Elma Devices.

Elmasonic Accessories - Modular basket system

Basket for small parts

- Basket for cleaning small parts
- Made of stainless steel
- Compatible with Elma pins



Order numbers and s

Basket for small parts	Basket 1-piece 1 / 3 heigh	Basket 5-pieces 1 / 3 height	Miniature basket	Cover for Miniature basket	Cover for basket	Basket 4-pieces 1 / 3 height	Basket 9-pieces 1 / 3 height	Basket 1-piece 1 / 1 height
Order number	3000006012	3000006014	3000006017	3000006016	3000006018	3000006013	3000006015	3000009104

Mechanical data

Basket for small parts	Unit	Basket 1-piece 1 / 3 heigh	Basket 5-pieces 1 / 3 height	Miniature basket	Cover for Miniature basket	Cover for basket	Basket 4-pieces 1 / 3 height	Basket 9-pieces 1 / 3 height	Basket 1-piece 1 / 1 height
Max. external dimensions Dia / H	mm	ø 64 / 16	ø 64 / 16	ø 21 / 12	ø 20 / 4	ø 64 / 2	ø 64 / 16	ø 64 / 16	ø 64 / 42
Internal dimensions Dia ₁ / H ₁	mm	ø 60 / 15	ø 60 / 15	ø 18 / 11	--	--	ø 60 / 15	ø 60 / 15	ø 60 / 41



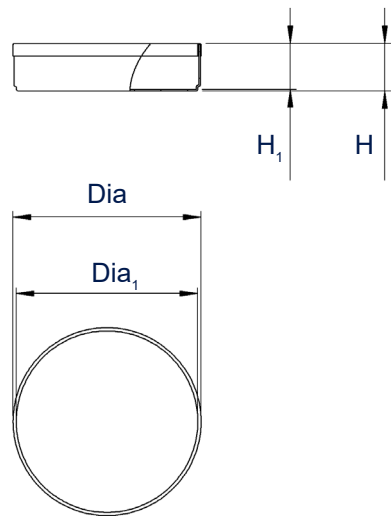
Technical specifications serve as orientation values and are subject to tolerances due to production and manufacturing. Proper operation can only be guaranteed when using original Elma devices.

Elmasonic Accessories - Modular basket system

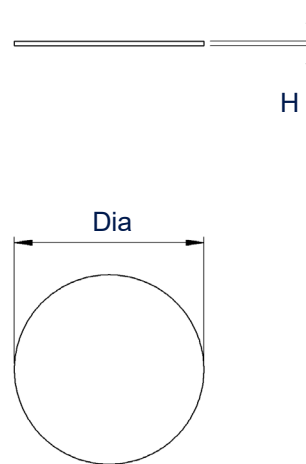
Basket for small parts

Dimension definition

Baskets



Covers



The drawings are meant as a visualization aid and are not true to scale.

Technical specifications serve as orientation values and are subject to tolerances due to production and manufacturing. Proper operation can only be guaranteed when using original Elma devices.

Elmasonic Accessories - Baskets

Basket

- Made of stainless steel and with Rilsan-coated handles



Order numbers and

s

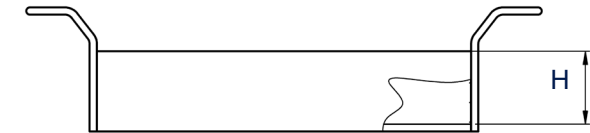
Basket size	100 flat	120 flat
Order number	1077166	

Mechanical data

Basket size	Unit	100 flat	120 flat
Internal dimensions of basket W / D / H	mm	255 / 200 / 25	
Mesh size Y x Z	mm	9 x 1	
Max. basket loading	Kg	6,0	

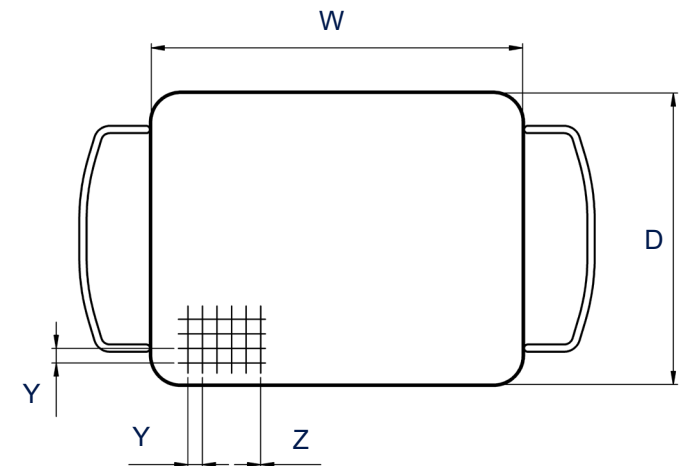
Dimension definition

Basket internal dimensions



Configuration

Basket size	100 flat	120 flat
Elmasonic Easy	•	•
Elmasonic Med	•	•
Elmasonic Select	•	•
Elmasonic P		•
Elmasonic Xtra		•
Elmadry	•	•



Technical specifications serve as orientation values and are subject to tolerances due to production and manufacturing. Proper operation can only be guaranteed when using original Elma devices.

Elmasonic Accessories - Covers

Stainless steel cover

- Reduce the noise of the ultrasonic cleaning
- Save energy and costs by reducing waste heat and collecting / recirculating the water vapour



Order numbers and s

Cover size	30 / 40	60	100 / 120	150 / 300	180	500	900
Order number	1111930	1111931	1111932	1111933	1111934	1082096	1082091

Mechanical data

Cover size	Unit	30 / 40	60	100 / 120	150 / 300	180	500	900
Max. external dimensions W / D / H	mm	265 / 160 / 55	325 / 175 / 55	325 / 265 / 55	530 / 325 / 55	355 / 325 / 55	540 / 370 / 50	650 / 550 / 50

Configuration

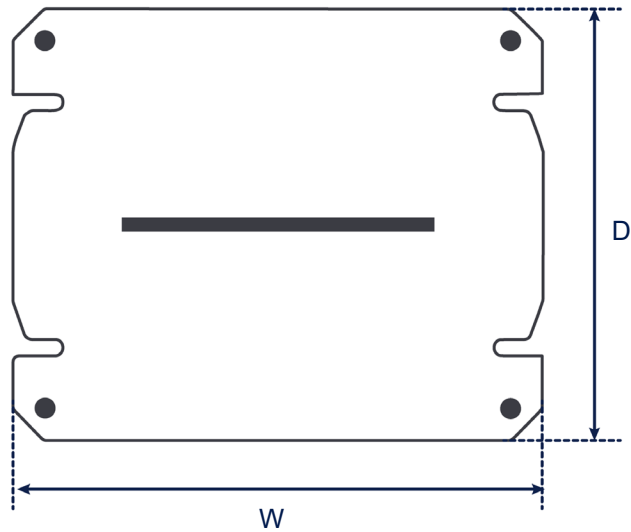
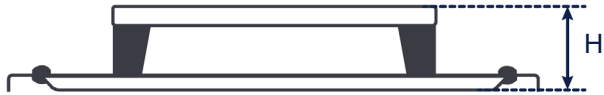
Cover size	30 / 40	60	100 / 120	150 / 300	180	500	900
Elmasonic Easy	•	•	•	•	•		
Elmasonic Med	•	•	•	•	•	•	•
Elmasonic Select	•	•	•	•	•	•	•
Elmasonic P	•	•	•	•	•		

Technical specifications serve as orientation values and are subject to tolerances due to production and manufacturing. Proper operation can only be guaranteed when using original Elma accessories.

Elmasonic Accessories - Covers

Stainless steel cover

Dimension definition



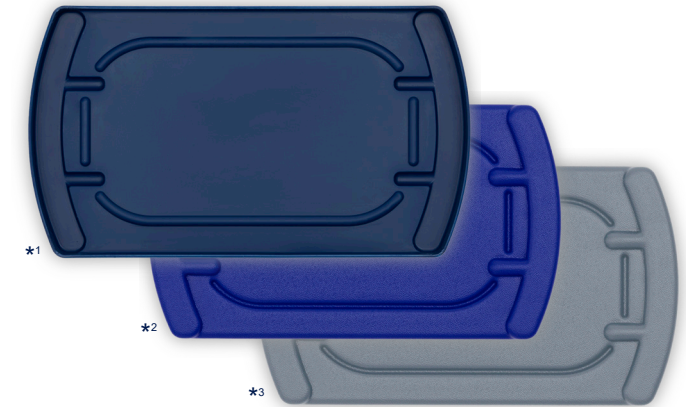
The drawings are meant as a visualization aid and are not true to scale.

Technical specifications serve as orientation values and are subject to tolerances due to production and manufacturing. Proper operation can only be guaranteed when using original Elma devices.

Elmasonic Accessories - Covers

Plastic cover

- Available in colors:
 - Standard: cobalt blue (RAL 5013)*1
 - More colors: ultramarine blue (RAL 5002)*2 and silver grey (RAL 7001)*3
- Reduce the noise of the ultrasonic cleaning
- Save energy and costs by reducing waste heat and collecting / recirculating the water vapour
- Serve upside down as a drip tray for the basket and cleaned parts



Order numbers and s

Cover size	10	15 / 20	30 / 40	60	70 / 80	100 / 120	150 / 300	180	200
Order number cobalt blue (RAL 5013)*1	1119484	1121610	1101126	1101129	1110200	1101133	1101135	1101141	1106428
Order number ultramarine blue (RAL 5002)*2	1003278	1003280	1003281	1003282	1003283	1003285	1003287	1003286	--
Order number silver grey (RAL 7001)*3	1071693	1071694	1071695	1071696	1110202	1071697	1071699	1071698	--

Mechanical data

Cover size	Unit	10	15 / 20	30 / 40	60	70 / 80	100 / 120	150 / 300	180	200
Max. external dimensions W / D / H	mm	235 / 115 / 20	220 / 175 / 20	305 / 175 / 20	370 / 190 / 20	570 / 170 / 20	380 / 280 / 20	575 / 335 / 20	405 / 340 / 20	600 / 365 / 20

Technical specifications serve as orientation values and are subject to tolerances due to production and manufacturing. Proper operation can only be guaranteed when using original Elma devices.

Elmasonic Accessories - Covers

Plastic cover

Configuration

Cover size	10	15 / 20	30 / 40	60	70 / 80	100 / 120	150 / 300	180	200
Elmasonic Easy	•	•	•	•		•	•	•	
Elmasonic Med			•	•		•	•	•	•
Elmasonic Select			•	•	•	•	•	•	
Elmasonic P			•	•	•	•	•	•	

Example of application

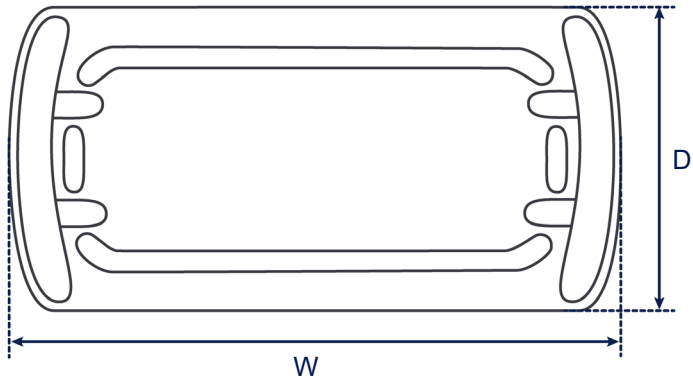


Technical specifications serve as orientation values and are subject to tolerances due to production and manufacturing. Proper operation can only be guaranteed when using original Elma devices.

Elmasonic Accessories - Covers

Plastic cover

Dimension definition



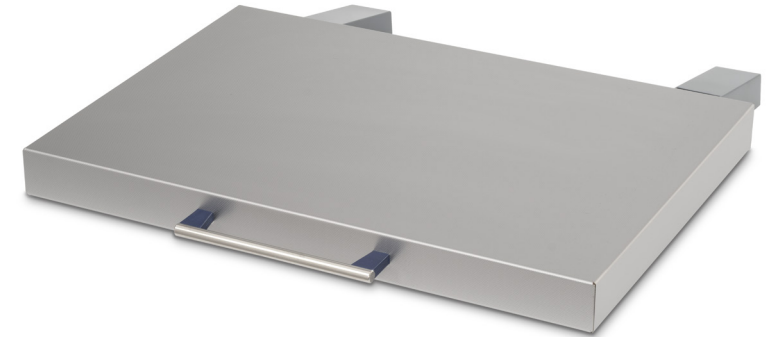
The drawings are merely included as a visualization aid and are not true to scale.

Technical specifications serve as orientation values and are subject to tolerances due to production and manufacturing. Proper operation can only be guaranteed when using original Elma devices.

Elmasonic Accessory - Covers

Noise protection covers

- Reduce the noise of the ultrasonic cleaning and retain process vapours
- Save energy and costs by reducing waste heat and collecting / recirculating the water vapour
- Available as a retrofit kit for self-assembly and space-savings attached to the ultrasonic device



Order numbers and sizes

Cover size	500	900
Order number	1100349	1100292

Mechanical data

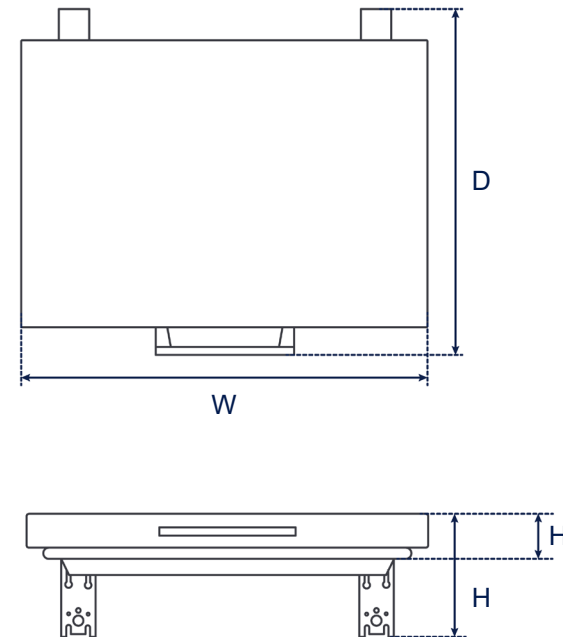
Cover size	Unit	500	900
Max. external dimensions W / D / H	mm	580 / 495 / 180	680 / 665 / 180
Height installed H_1	mm	65	
Noise reduction*	%	40	54

*measured without basket and without items to be cleaned

Configuration

Cover size	500	900
Elmasonic Med	•	•
Elmasonic Select	•	•

Dimension definition



The drawings are merely included as a visualization aid and are not true to scale.

Technical specifications serve as orientation values and are subject to tolerances due to production and manufacturing. Proper operation can only be guaranteed when using original Elma accessories.

Elmasonic Accessories - Holders

Equipment holder for laboratory tubes
Equipment holder for sieves

- Made of stainless steel and with Rilsan-coated handles
- For holding laboratory vessels e.g. glass flasks up to 1000ml
- For the recording of sieves



Order numbers and s

Equipment holder	Laboratory tubes and sieves
Order number	1049704

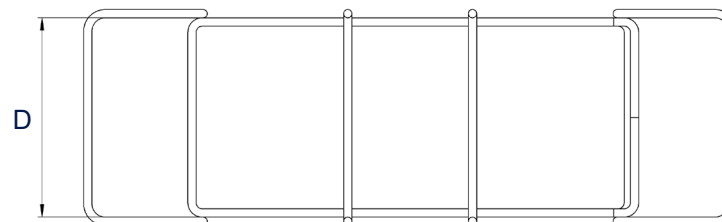
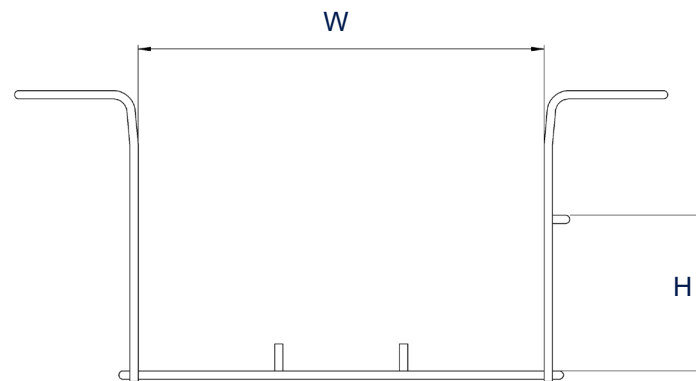
Mechanical data

Equipment holder	Unit	Laboratory tubes and sieves
Internal dimensions of basket W / D / H	mm	195 / 95 / 75

Maximum configuration

Equipment holder	Laboratory tubes and sieves
Unit size 60	1 x
Unit size 120 / 180	2 x
Unit size 300	4 x

Dimension definition



Example of application



The drawings are meant as a visualization aid and are not true to scale.

Technical specifications serve as orientation values and are subject to tolerances due to production and manufacturing. Proper operation can only be guaranteed when using original Elma Devices.

Elmasonic Accessories - Holders

Test tube holder

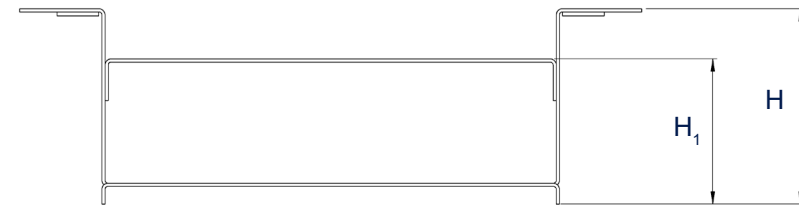
- Made of stainless steel
- For test tubes \varnothing 16 mm / \varnothing 25 mm



Order numbers and s

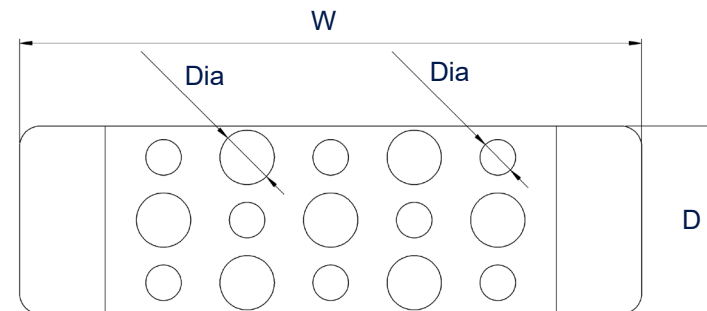
Test tube holder	\varnothing 16	\varnothing 16 + \varnothing 25 short	\varnothing 16 + \varnothing 25 long
Order number	1111973	1112084	1112123

Dimension definition



Mechanical data

Test tube holder	Unit	\varnothing 16	\varnothing 16 + \varnothing 25 short	\varnothing 16 + \varnothing 25 long
Max. external dimensions W / D / H	mm	200 / 90 / 95	300 / 90 / 95	360 / 90 / 95
Height hangers H_1	mm	70	70	
Hole diameter Dia	mm	\varnothing 17	\varnothing 17 / \varnothing 26	
Max. number of test tubes	piece	16 x \varnothing 16 mm	8 x \varnothing 16 mm + 7 x \varnothing 25 mm	



The drawings are meant as a visualization aid and are not true to scale.

Technical specifications serve as orientation values and are subject to tolerances due to production and manufacturing. Proper operation can only be guaranteed when using original Elma accessories.

Elmasonic Accessories - Holders

Test tube holder

Maximum configuration

Test tube holder	ø 16
Elma Dry 30	2 x
Elma Sink S	2 x
Elma Sink M	3 x
Elmasonic P / Med / Select / Easy 30	2 x
Elmasonic P / Med / Select / Easy 60	3 x
Elmasonic Select / Easy 40	2 x
Elmasonic Select 80	4 x

Test tube holder	ø 16 + ø 25 short
Elma Dry 120	2 x
Elmasonic Med / Select / Easy 100	2 x
Elmasonic Med / Select / Easy 120	2 x
Elmasonic Xtra 40	1 x
Elmasonic Xtra 120	3 x

Test tube holder	ø 16 + ø 25 short
Elma Dry 300	4 x
Elma Sink L	3 x
Elma Sink XL	4 x
Elmasonic P / Med / Select / Easy 180	2 x
Elmasonic P / Med / Select / Easy 300	4 x
Elmasonic Med / Select / Easy 100	1 x
Elmasonic Med / Select / Easy 120	1 x
Elmasonic Med 200	5 x
Elmasonic Xtra 60	1 x
Elmasonic Xtra 180	3 x
Elmasonic Xtra 300	5 x

Technical specifications serve as orientation values and are subject to tolerances due to production and manufacturing. Proper operation can only be guaranteed when using original Elma accessories.

Elmasonic Accessories - Holders

Test tube holder

Example of application



The parts shown are for illustration purposes only and are not included in the scope of delivery.

Technical specifications serve as orientation values and are subject to tolerances due to production and manufacturing. Proper operation can only be guaranteed when using original Elma accessories.

Elmasonic Accessories - Holders

Holder for reaction tubes

- Made of stainless steel
- For reaction tubes 1,5 oder 2 ml

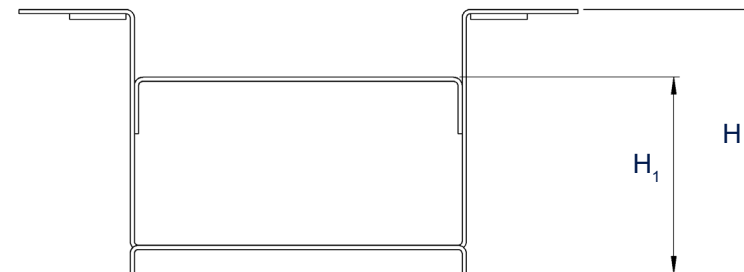


Order numbers and

s

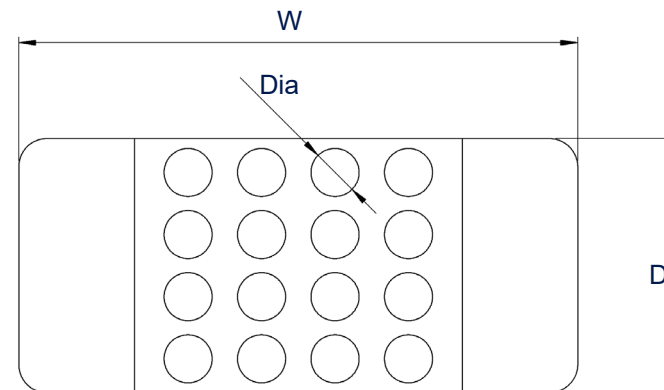
Holder for reaction tubes	1,5 + 2 ml short	1,5 + 2 ml long
Order number	1112158	1112152

Dimension definition



Mechanical data

Holder for reaction tubes	Unit	1,5 + 2 ml short	1,5 + 2 ml long
Max. external dimensions W / D / H	mm	300 / 90 / 70	360 / 90 / 70
Height hangers H_1	mm	35	
Hole diameter Dia	mm	11	
Max. number of reaction tubes		21	27



The drawings are meant as a visualization aid and are not true to scale.

Technical specifications serve as orientation values and are subject to tolerances due to production and manufacturing. Proper operation can only be guaranteed when using original Elma accessories.

Elmasonic Accessories - Holders

Holder for reaction tubes

Maximum configuration

Holder for reaction tubes	1,5 + 2 ml short
Elma Dry 120	2 x
Elmasonic Med / Select / Easy 100	2 x
Elmasonic P / Med / Select / Easy 120	2 x
Elmasonic Xtra 120	2 x

Holder for reaction tubes	1,5 + 2 ml long
Elma Dry 120	1 x
Elma Dry 300	4 x
Elma Sink L	2 x
Elma Sink XL	4 x
Elmasonic Med 200	1 x
Elmasonic Med / Select / Easy 100	5 x
Elmasonic Select 150	4 x
Elmasonic P / Med / Select / Easy 120	1 x
Elmasonic P / Med / Select / Easy 180	2 x
Elmasonic P / Med / Select / Easy 300	4 x
Elmasonic Xtra 60	1 x
Elmasonic Xtra 120	2 x
Elmasonic Xtra 300	5 x

Example of application



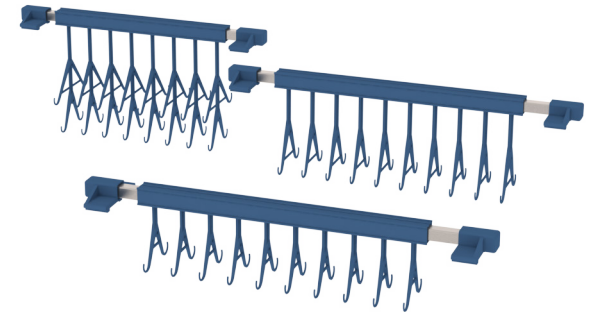
The parts shown are for illustration purposes only and are not included in the scope of delivery.

Technical specifications serve as orientation values and are subject to tolerances due to production and manufacturing. Proper operation can only be guaranteed when using original Elma accessories.


Elmasonic Accessories - Holders

Holder with hooks

- Individual hooks that can be attached flexibly
- For cleaning rings, chains, industrial parts, etc.
- All contact surfaces made of polished plastic to prevent scratching of the tub and the goods



Order numbers and s

Holder with hooks	8 long hooks size M	8 double hooks size M	10 short hooks size L	10 long hooks size L	10 long hooks size XL
Order number	1123588	1132066	1117432	1123585	1138397
					

Scope of delivery

Holder with hooks:
• 8x or 10x Hook
• Stainless steel profile
• 2x end caps

Technical specifications serve as orientation values and are subject to tolerances due to production and manufacturing. Proper operation can only be guaranteed when using original Elma accessories.

Elmasonic Accessories - Holders

Holder with hooks

Maximum configuration

Elmasonic Med, Elmasonic Select, Elmasonic Easy, Elmasonic P, Elma Dry

Holder with hooks	8 long hooks size M	8 double hooks size M	10 short hooks size L	10 long hooks size L	10 long hooks size XL
30	1 x	--	--	--	--
40	1 x	1 x	--	--	--
60	--	--	2 x	2 x	--
100	4 x	3 x	3 x	3 x	--
120	3 x	3 x	3 x	3 x	--
150	8 x	--	8 x	7 x	--
180	5 x	--	5 x	4 x	4 x
200	8 x	--	8 x	7 x	--
300	8 x	--	8 x	7 x	--
500	--	--	--	--	8 x

Elmasonic Xtra

Holder with hooks	8 long hooks size M	8 double hooks size M	10 short hooks size L	10 long hooks size L	10 long hooks size XL
40	2 x	1 x	--	--	--
60	--	--	2 x	2 x	--
120	4 x	3 x	4 x	3 x	--
180	--	--	5 x	5 x	4 x
300	--	--	8 x	7 x	--

Elma Sink

Holder with hooks	8 long hooks size M	8 double hooks size M	10 short hooks size L	10 long hooks size L	10 long hooks size XL
S - tub size 40	1 x	--	--	--	--
M - tub size 60	--	--	2 x	2 x	--
L - tub size 180	--	--	5 x	4 x	4 x
XL - tub size 300	--	--	8 x	7 x	--

Technical specifications serve as orientation values and are subject to tolerances due to production and manufacturing. Proper operation can only be guaranteed when using original Elma accessories.

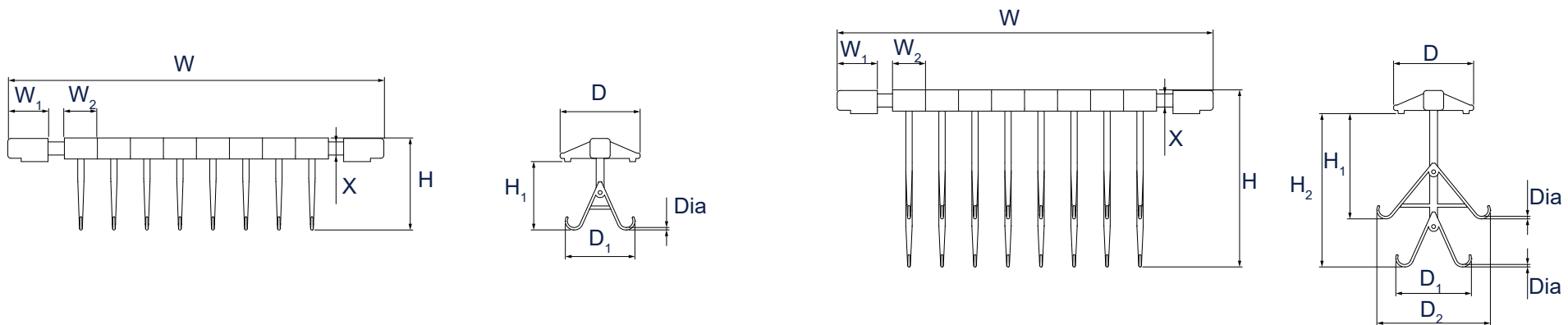
Elmasonic Accessories - Holders

Holder with hooks

Mechanical data

Holder with hooks	Unit	8 long hooks size M	8 double hooks size M	10 short hooks size L	10 long hooks size L	10 long hooks size XL
Max. external dimensions W / D / H	mm	285 / 65 / 100	285 / 90 / 140	355 / 60 / 75	355 / 65 / 100	395 / 65 / 100
Support height H ₁ / H ₂	mm	80 / --	80 / 120	55 / --	80 / --	80 / --
Dimensions hooks Dia / W ₁ / D ₁ / D ₂	mm	∅ 1,7 / 25 / 65 / --	∅ 1,7 / 25 / 90 / 60	∅ 1,7 / 25 / 55 / --	∅ 1,7 / 25 / 65 / --	∅ 1,7 / 25 / 65 / --
Width of end cap W ₁	mm	35	35	35	35	35
Width of hooks W ₂	mm	25	25	25	25	25
Stainless steel profile X	mm	□ 10	□ 10	□ 10	□ 10	□ 10

Dimension definition



The drawings are meant as a visualization aid and are not true to scale.

Technical specifications serve as orientation values and are subject to tolerances due to production and manufacturing. Proper operation can only be guaranteed when using original Elma devices.

Elmasonic Accessories - Holders

Ring stand

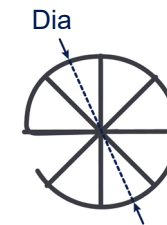
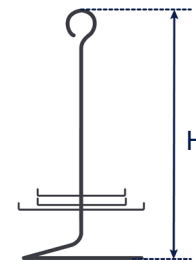
- Made of stainless steel
- With 8 hooks



Order numbers and s

Rind stand	8 hooks
Order number	2070460000

Dimension definition



Mechanical data

Rind stand	Unit	8 hooks
Max. external dimensions Dia / H	mm	ø 80 / 160

The drawings are meant as a visualization aid and are not true to scale.

Technical specifications serve as orientation values and are subject to tolerances due to production and manufacturing. Proper operation can only be guaranteed when using original Elma devices.

Elmasonic Accessories - Holders

Holding clamp for Erlenmeyer flasks

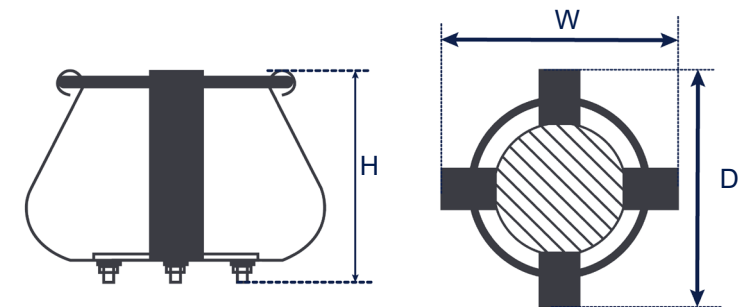
- Made of stainless steel
- For mounting on the bottom of a Elma cleaning basket
- The Erlenmeyer flask has a firm hold in the holding clamp due to the curved spring
- Compatible with the modular basket system



Order numbers and sizes

Holding clamp	50 ml	250 ml	500 ml	1000 ml
Order number	1007553	1007555	1007557	1007558

Dimension definition



Mechanical data

Holding clamp	Unit	50 ml	250 ml	500 ml	1000 ml
Max. external dimensions W / D / H	mm	55 / 55 / 50	90 / 90 / 70	110 / 110 / 85	135 / 135 / 85

Example of application



The drawings are meant as a visualization aid and are not true to scale.

The parts shown are for illustration purposes only and are not included in the scope of delivery.

Technical specifications serve as orientation values and are subject to tolerances due to production and manufacturing. Proper operation can only be guaranteed when using original Elma accessories.

Elmasonic Accessories - Holders

Holding clamps for Erlenmeyer flasks

Number of holding clamps for Erlenmeyer flasks in the Elma modular baskets

Maximum configuration

Holding clamp	50 ml
Basket size 30 / 40	3 x
Basket size 60	4 x
Basket size 70	8 x
Basket size 80	8 x
Basket size 100 / 120	9 x
Basket size 180	15 x
Basket size 150 / 300	24 x

Holding clamp	250 ml
Basket size 30 / 40	2 x
Basket size 60	3 x
Basket size 70	4 x
Basket size 80	5 x
Basket size 100 / 120	5 x
Basket size 180	8 x
Basket size 150 / 300	14 x

Holding clamp	500 ml
Basket size 30 / 40	1 x
Basket size 60	2 x
Basket size 80	3 x
Basket size 100 / 120	2 x
Basket size 180	4 x
Basket size 150 / 300	6 x

Holding clamp	1000 ml
Basket size 100 / 120	2 x
Basket size 180	3 x
Basket size 150 / 300	5 x

Elmasonic Accessories - Holders

Dental-Tray holder

- Made of stainless steel
- Holders for several dental trays 1 / 2 DIN and 3 / 4 DIN

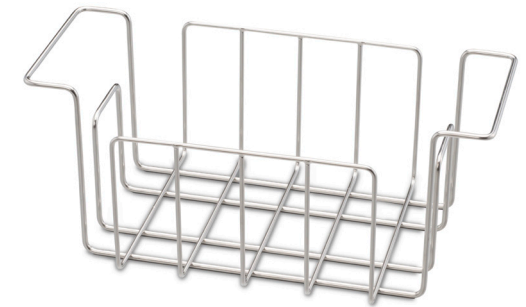
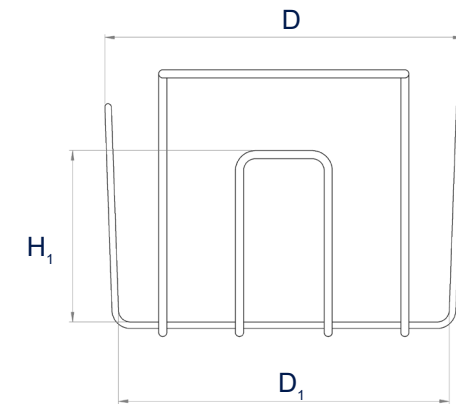
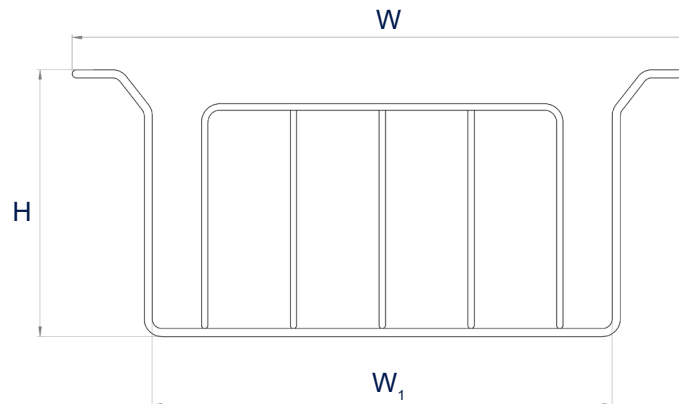
Order numbers and s

Basket size	180
Order number	1104306

Mechanical data

Basket size	Unit	180
Max. external dimensions W / D / H	mm	385 / 225 / 165
Internal dimensions W ₁ / D ₁ / H ₁	mm	280 / 205 / 105

Dimension definition



Configuration

Basket size	180
Elmasonic Med	•

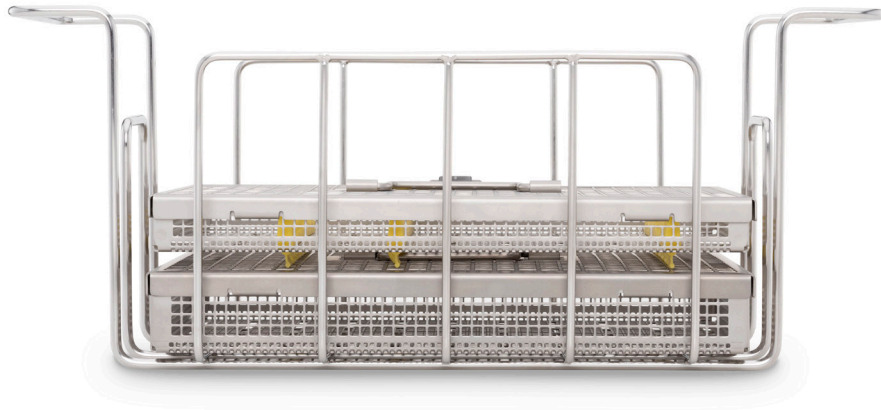
The drawings are meant as a visualization aid and are not true to scale.

Technical specifications serve as orientation values and are subject to tolerances due to production and manufacturing. Proper operation can only be guaranteed when using original Elma devices.

Elmasonic Accessories - Holders

Dental-Tray holder

Example of application



The parts shown are for illustration purposes only and are not included in the scope of delivery.

Technical specifications serve as orientation values and are subject to tolerances due to production and manufacturing. Proper operation can only be guaranteed when using original Elma devices.

Elmasonic Zubehör - Inserts

Acid resistant insert tray

- For cleaning with acidic chemicals
- Consist of deep-drawn polypropylene and are highly resistant to chemicals
- Are hung directly into the ultrasonic device, which is filled with little water (contact liquid) beforehand. The ultrasound is then transferred via the contact liquid into the insert tank filled with working liquid (e.g. acid)



Order numbers and s

Tube size	30 / 40 / 60	100 / 120	180	300	500
Order number	2070890000	2070900000	2070910000	2000008000	2070780000

Mechanical data

Tube size	Unit	30 / 40 / 60	100 / 120	180	300	500
Max. external dimensions W / D / H	mm	300 / 200 / 115	365 / 305 / 170	390 / 370 / 215	570 / 365 / 215	530 / 325 / 205
Internal dimensions W ₁ / D ₁ / H ₁	mm	195 / 95 / 110	250 / 190 / 165	270 / 245 / 210	440 / 240 / 210	480 / 275 / 200
Recommended tank operating capacity V _a	L	1,3	5,8	11,0	19,0	18,3

Scope of delivery

Acid resistant insert tray:
• Acid resistant insert tray
• Acid resistant Cover

Technical specifications serve as orientation values and are subject to tolerances due to production and manufacturing. Proper operation can only be guaranteed when using original Elma accessories.

Elmasonic Accessory - Inserts

Acid resistant insert tray

Configuration

Tube size	30 / 40 / 60	100 / 120	180	300	500
Elmasonic Easy	•	•	•	•	
Elmasonic Med	•	•	•	•	•
Elmasonic Select	•	•	•	•	•
Elmasonic S	•	•	•	•	•
Elmasonic P	•	•	•	•	
Elmasonic Xtra	•	•	•	•	

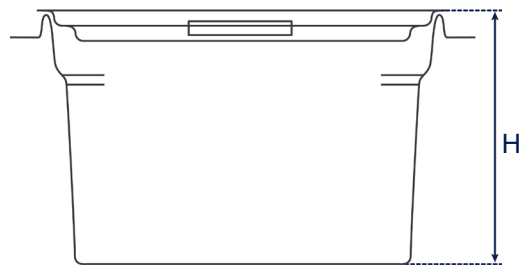
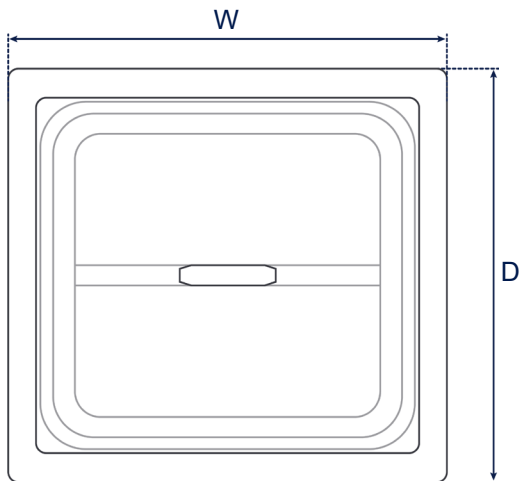
Technical specifications serve as orientation values and are subject to tolerances due to production and manufacturing. Proper operation can only be guaranteed when using original Elma accessories.

Elmasonic Accessory - Inserts

Acid resistant insert tray

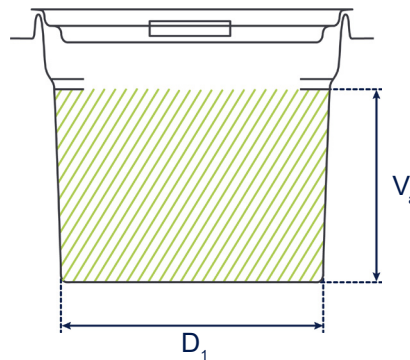
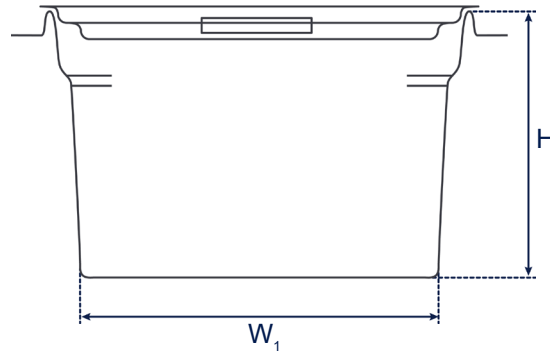
Dimension definition

Tank outer dimensions



Tank internal dimensions

V_a : recommended operating capacity of the cleaning tank
(The actual operating capacity depends on the load.)



The drawings are meant as a visualization aid and are not true to scale.

Technical specifications serve as orientation values and are subject to tolerances due to production and manufacturing. Proper operation can only be guaranteed when using original Elma accessories.

Elmasonic Accessories - Inserts

BD-Steribox

- Made of plastic
- With opening in the cover
- With removable sieve for rinsing the contents
- For use in the ultrasonic bath placed directly in the basket or hung over an insert cover



Order numbers and s

	BD-Steribox
Order number	1105991

Scope of delivery

BD-Steribox:	
• Box	• Cover with opening
• Removable sieve	• Closure for opening in the Cover

Technical specifications serve as orientation values and are subject to tolerances due to production and manufacturing. Proper operation can only be guaranteed when using original Elma accessories.

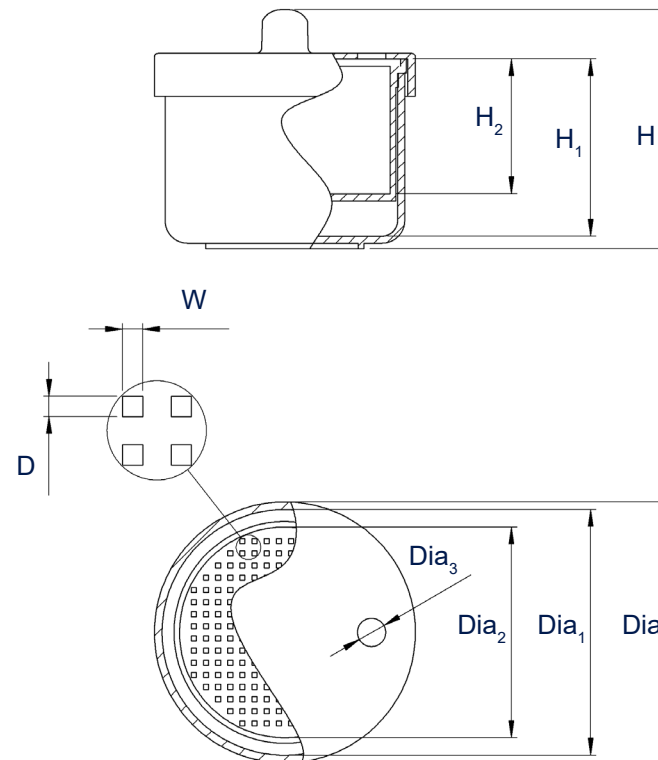
Elmasonic Accessories - Inserts

BD-Steribox

Mechanical data

	Unit	BD-Steribox
Max. external dimensions W / D / H	mm	95 / 85
Internal dimensions Dia ₁ / H ₁	mm	75 / 55
Opening in Cover Dia ₃	mm	10
Internal dimensions sieve Dia ₂ / H ₂	mm	70 / 45
Hole diameter sieve bottom W / D	mm	1,8 / 1,8
Total volume	ml	300

Dimension definition



The drawings are meant as a visualization aid and are not true to scale.

Technical specifications serve as orientation values and are subject to tolerances due to production and manufacturing. Proper operation can only be guaranteed when using original Elma accessories.

Elmasonic Accessories - Inserts

Cleaning cup

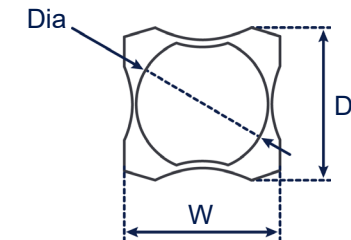
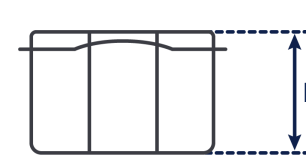
- Made of plastic
- The cleaning cups can be
 - Placed directly in the basket for ultrasonic cleaning devices size 10
 - Or hung via an insert cover in the ultrasonic bath.



Order numbers and variants

Cleaning cup	Blue	White
Order number	2000001582	2000001581

Dimension definition



Mechanical data

Cleaning cup	Unit	Blue	White
Max. external dimensions W / D / H	mm	95 / 90 / 55	
Diameter Dia	mm	ø 75	
Total Volume	ml	220	

Scope of delivery

Cleaning cup:
• Cup
• Cover

The drawings are merely included as a visualization aid and are not true to scale.

Technical specifications serve as orientation values and are subject to tolerances due to production and manufacturing. Proper operation can only be guaranteed when using original Elma accessories.

Elmasonic Accessories - Inserts

Cleaning cup

Example of application



The parts shown are for illustration purposes only and are not included in the scope of delivery.

Technical specifications serve as orientation values and are subject to tolerances due to production and manufacturing. Proper operation can only be guaranteed when using original Elma Devices.

Elmasonic Accessories - Inserts

Cleaning glasses

- Can be used for simultaneous cleaning of parts with different chemicals, for removing abrasive substances or for cleaning with aggressive chemicals (e.g. acids or alkalis)
- Can either be placed directly in a cleaning basket or in combination with an insert cover be hung in the ultrasonic bath



Order numbers and s

Cleaning glass	150 ml (without plastic cover)	600 ml	600 ml	1000 ml
Order number	1111834	1117632	1047272	1047376

Scope of delivery

Cleaning glass 600 ml, 1000 ml:		Cleaning glass 150 ml:
• Laboratory glass 600 ml or 1000 ml	• Rubber ring	• Laboratory glass 150 ml
• Cover		• Rubber ring

Technical specifications serve as orientation values and are subject to tolerances due to production and manufacturing. Proper operation can only be guaranteed when using original Elma accessories.

Elmasonic Accessories - Inserts

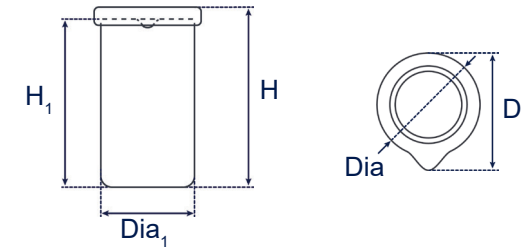
Cleaning glasses

Mechanical data

Cleaning glass	Unit	150 ml (without plastic cover)	600 ml	600 ml	1000 ml
Max. external dimensions Dia / D / H	mm	ø 80 / 85 / 95	ø 100 / 155 / 110	ø 110 / 135 / 125	ø 110 / 185 / 125
Glass internal dimensions Dia ₁ / H ₁	mm	ø 55 / 60	ø 75 / 145	ø 80 / 105	ø 85 / 160
Rubber ring external diameter Dia _R	mm	ø 70	ø 100		
Minimum distance to appliance base	mm	20			

Dimension definition

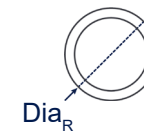
Cleaning glass
with plastic cover



Example of application



Rubber ring



The parts shown are for illustration purposes only and are not included in the scope of delivery.

Technical specifications serve as orientation values and are subject to tolerances due to production and manufacturing. Proper operation can only be guaranteed when using original Elma devices.

Elmasonic Accessories - Inserts

Insert cover

- Made of stainless steel
- To be placed on the ultrasonic cleaning device
- For 2 glasses or 2 cleaning cups



Order numbers and s

Insert cover	10	30 / 40 / 80 - 120	60 / 150 / 180 / 300
Order number	2070520000	2070300000	2070930000

Mechanical data

Insert cover	Unit	10	30 / 40 / 80 - 120	60 / 150 / 180 / 300
Max. external dimensions W / D / H	mm	210 / 105 / 10	270 / 170 / 15	330 / 180 / 15
Hole diameter cover Dia	mm	ø 85	ø 95	
External Diameter rubber ring Dia ₁	mm	ø 100		

Scope of delivery

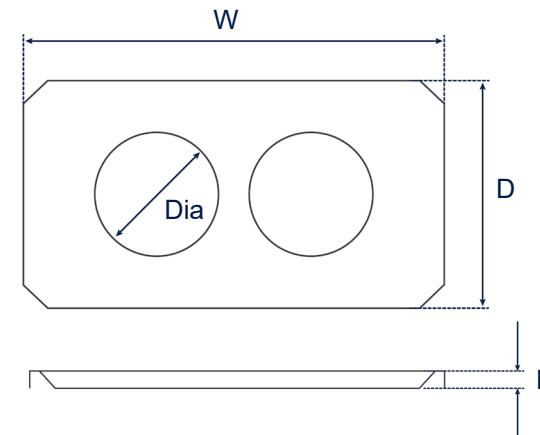
Insert cover:
• Insert cover
• 2x Rubber ring

The drawings are meant as a visualization aid and are not true to scale.

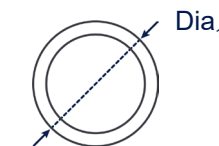
Technical specifications serve as orientation values and are subject to tolerances due to production and manufacturing. Proper operation can only be guaranteed when using original Elma accessories.

Dimension definition

Insert cover



Rubber ring



Elmasonic Accessories - Inserts

Insert cover

Maximum configuration

Insert cover	10
Elmasonic Easy 10	1 x

Insert cover	30 / 40 / 80 - 120
Elma Dry 30	1 x
Elma Dry 120	2 x
Elma Sink S	1 x
Elmsonic Med / Select / Easy 100	2 x
Elmsonic P 70	2 x
Elmsonic P / Med / Select / Easy 30	1 x
Elmsonic P / Med / Select / Easy 120	2 x
Elmsonic Select 80	2 x
Elmsonic Select / Easy 40	1 x

Insert cover	60 / 150 / 180 / 300
Elma Dry 120	1 x
Elma Dry 300	2 x
Elma Sink M	1 x
Elma Sink L	1 x
Elma Sink XL	2 x
Elmsonic Med / Select / Easy 100	1 x
Elmsonic P / Med / Select / Easy 60	1 x
Elmsonic P / Med / Select / Easy 120	1 x
Elmsonic P / Med / Select / Easy 180	1 x
Elmsonic P / Med / Select / Easy 300	2 x
Elmsonic Select 150	2 x

Technical specifications serve as orientation values and are subject to tolerances due to production and manufacturing. Proper operation can only be guaranteed when using original Elma accessories.

Product Information



Elmasonic Accessories - Inserts

Insert cover

- Made of stainless steel
- For hanging in the ultrasonic bath
- For 2 glasses or 2 cleaning cups



Order numbers and variants

Insert cover	30 / 40	60
Order number	1110262	1110261

Mechanical data

Insert cover	Unit	30 / 40	60
Max. external dimensions W / D / H	mm	285 / 110 / 35	350 / 110 / 35
Hole diameter cover Dia	mm	ø 65 / ø 90	ø 95
External Diameter rubber ring Dia ₁	mm	ø 70 / ø 100	ø 100

Scope of delivery

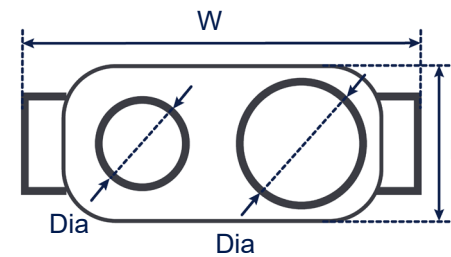
Insert cover:
• Insert cover
• 2x Rubber ring

The drawings are meant as a visualization aid and are not true to scale.

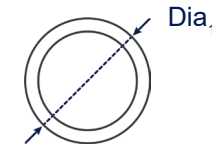
Technical specifications serve as orientation values and are subject to tolerances due to production and manufacturing. Proper operation can only be guaranteed when using original Elma accessories.

Dimension definition

Insert cover



Rubber ring



Elmasonic Accessories - Inserts

Insert cover

Maximum configuration

Tapa de inserción	30 / 40
Elma Dry 30	1 x
Elma Dry 120	2 x
Elma Sink S	1 x
Elmasonic Med / Select / Easy 100	2 x
Elmasonic P / Med / Select / Easy 30	1 x
Elmasonic P / Med / Select / Easy 120	2 x
Elmasonic Select / Easy 40	1 x
Elmasonic Xtra 40	1 x

Tapa de inserción	60
Elma Dry 300	4 x
Elma Sink M	1 x
Elma Sink L	2 x
Elma Sink XL	4 x
Elmasonic P / Med / Select / Easy 60	1 x
Elmasonic P / Med / Select / Easy 180	2 x
Elmasonic P / Med / Select / Easy 300	4 x
Elmasonic Select 150	4 x
Elmasonic Xtra 60	1 x

Elmasonic Accessories - Inserts

Insert cover

- Made of stainless steel
- For hanging in the cleaning basket
- For 2 glasses or 2 cleaning cups



Order numbers and

s

Insert cover	150 / 180 / 300
Order number	1110260

Maximum configuration

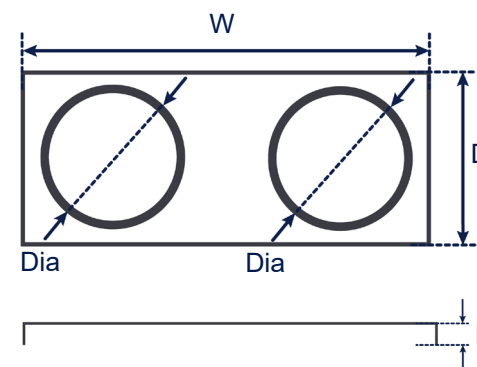
Insert cover	150 / 180 / 300
Basket size 180	2 x
Basket size 150 / 300	4 x

Mechanical data

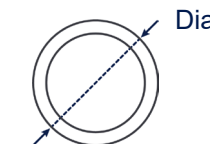
Insert cover	Unit	150 / 180 / 300
Max. external dimensions W / D / H	mm	260 / 110 / 20
Hole diameter cover Dia	mm	ø 95
External Diameter rubber ring Dia ₁	mm	ø 100

Dimension definition

Insert cover



Rubber ring



Scope of delivery

Insert cover:
• Insert cover
• 2x Rubber ring

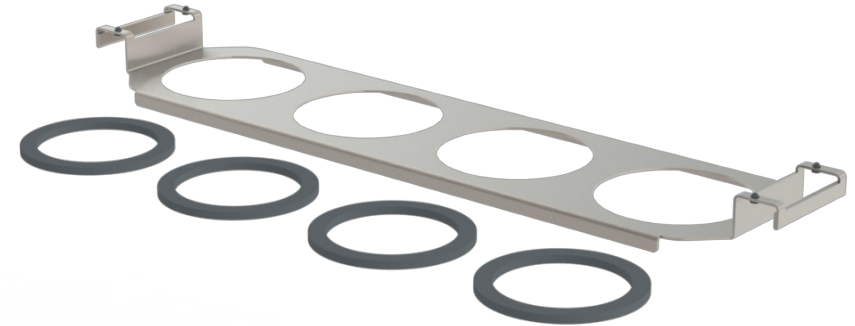
The drawings are meant as a visualization aid and are not true to scale.

Technical specifications serve as orientation values and are subject to tolerances due to production and manufacturing. Proper operation can only be guaranteed when using original Elma accessories.

Elmasonic Accessories - Inserts

Insert cover

- Made of stainless steel
- For hanging in the ultrasonic bath
- For 4 glasses or 4 cleaning cups



Order numbers and s

Insert cover	80
Order number	1111906

Mechanical data

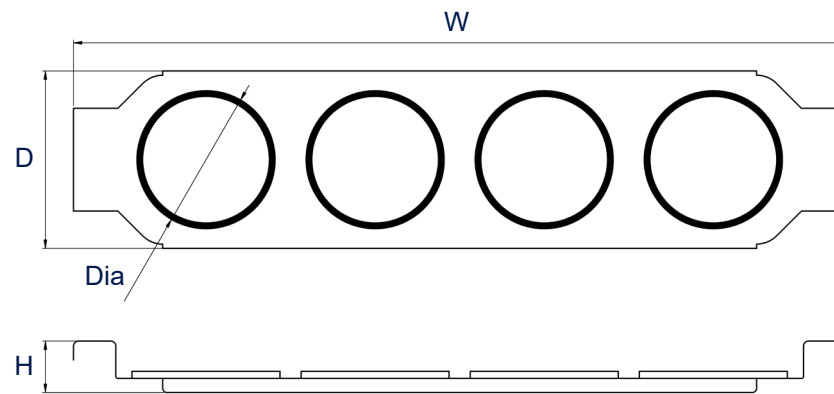
Insert cover	Unit	80
Max. external dimensions W / D / H	mm	550 / 130 / 40
Hole diameter cover Dia	mm	ø 95
External Diameter rubber ring Dia ₁	mm	ø 100

Maximum configuration

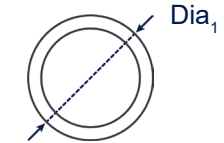
Insert cover	80
Elmasonic P 70	1 x
Elmasonic Select 80	1 x

Dimension definition

Insert cover



Rubber ring



Scope of delivery

Insert cover:
• Insert cover
• 4x Rubber ring

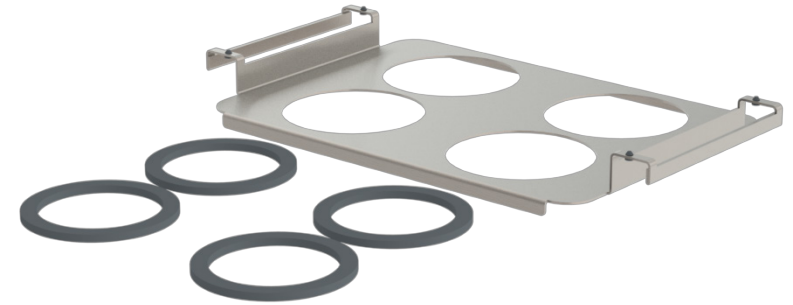
The drawings are meant as a visualization aid and are not true to scale.

Technical specifications serve as orientation values and are subject to tolerances due to production and manufacturing. Proper operation can only be guaranteed when using original Elma accessories.

Elmasonic Accessories - Inserts

Insert cover

- Made of stainless steel
- For hanging in the ultrasonic bath
- For 4 glasses or 4 cleaning cups



Order numbers and s

Insert cover	100 / 120	180
Order number	1111909	1111921

Mechanical data

Insert cover	Unit	100 / 120	180
Max. external dimensions W / D / H	mm	350 / 230 / 40	380 / 230 / 35
Hole diameter cover Dia	mm	ø 95	
External Diameter rubber ring Dia ₁	mm	ø 100	

Scope of delivery

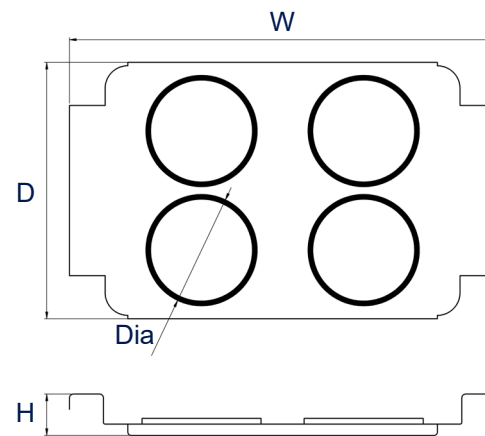
Insert cover:
• Insert cover
• 4x Rubber ring

The drawings are meant as a visualization aid and are not true to scale.

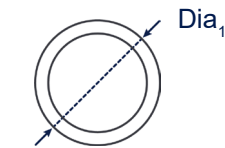
Technical specifications serve as orientation values and are subject to tolerances due to production and manufacturing. Proper operation can only be guaranteed when using original Elma accessories.

Dimension definition

Insert cover



Rubber ring



Elmasonic Accessories - Inserts

Insert cover

Maximum configuration

Insert cover	100 / 120
Elma Dry 120	1 x
Elma Dry 300	2 x
Elma Sink L	1 x
Elma Sink XL	2 x
Elmasonic Med / Select / Easy 100	1 x
Elmasonic P / Med / Select / Easy 120	1 x
Elmasonic P / Med / Select / Easy 180	1 x
Elmasonic P / Med / Select / Easy 300	2 x
Elmasonic Select 150	2 x
Elmasonic Xtra 120	1 x

Insert cover	180
Elmasonic P / Med / Select / Easy 180	1 x

Elmasonic Accessories - Inserts

Insert cover

Example of application



The parts shown are for illustration purposes only and are not included in the scope of delivery.

Technical specifications serve as orientation values and are subject to tolerances due to production and manufacturing. Proper operation can only be guaranteed when using original Elma devices.

Elmasonic Accessories - Inserts

Immersion baskets

- Can - depending on the device size:
 - Be placed individually or several times in a cleaning basket
 - Be placed individually in a cleaning glass



Order numbers and s

Immersion baskets	7040	4030	5560	6560	7060
Order number	2070380000	1117636	2070540000	1116797	1007545

Mechanical data

Immersion baskets	Unit	7040	4030	5560	6560	7060
Max. external dimensions W / D / H	mm	90 / 180	55 / 75	75 / 140	85 / 105	90 / 160
Internal dimensions Dia / H ₁	mm	ø 70 / 40	ø 40 / 30	ø 55 / 60	ø 65 / 60	ø 70 / 60
Diameter Dia ₁ / Mesh size	mm	ø 2,4	1x1x0,5			
Material		plastic	stainless steel			

Configuration

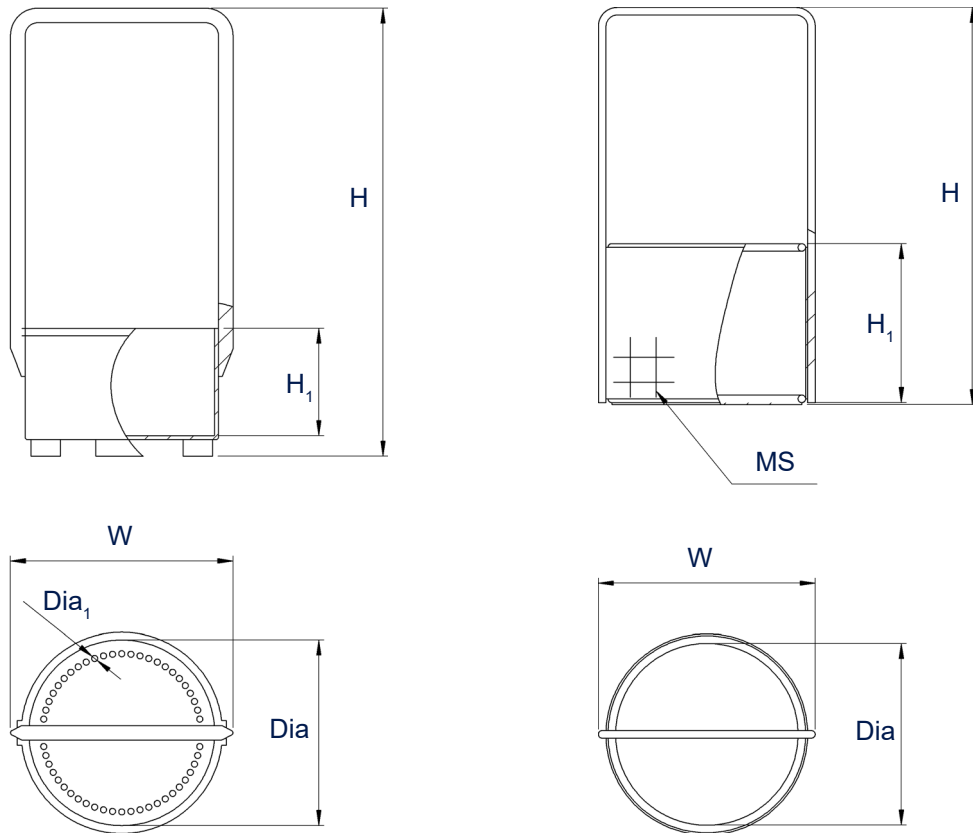
Immersion baskets	7040	4030	5560	6560	7060
Suitable for cleaning glass	1000 ml	150 ml	600 ml slim / high	600 ml wide / low	1000 ml

Technical specifications serve as orientation values and are subject to tolerances due to production and manufacturing. Proper operation can only be guaranteed when using original Elma accessories.

Elmasonic Accessories - Inserts

Immersion baskets

Dimension definition



Example of application



The drawings are meant as a visualization aid and are not true to scale.

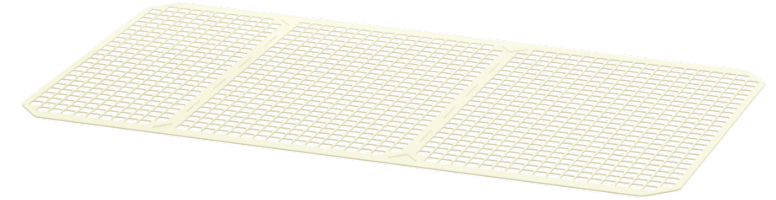
The parts shown are for illustration purposes only and are not included in the scope of delivery.

Technical specifications serve as orientation values and are subject to tolerances due to production and manufacturing. Proper operation can only be guaranteed when using original Elma devices.

Elmasonic Accessory - Inserts

Silicone mats

- To be placed into the basket for sensitive parts protection
- The silicone mats M and L must be cut accordingly for the different basket sizes (see cutting guide)
- The silicone mat S is not cut to size



Order numbers and s

Silicone mat	S	M	L
Order number	1082379	1082378	1117991

Mechanical data

Silicone mat	Unit	S	M	L
Max. external dimensions W / D / H	mm	193 / 100 / 1	450 / 245 / 1	560 / 460 / 1
Mesh size Y x Z	mm	5,5 x 1	7,5 x 1	7,5 x 1,5

Technical specifications serve as orientation values and are subject to tolerances due to production and manufacturing. Proper operation can only be guaranteed when using original Elma accessories.

Elmasonic Accessory - Inserts

Silicone mats

Configuration

Silicone mat	S
Basket size 30	•
Basket size 40	•

Silicone mat	M
Basket size 60	•
Basket size 100 / 120	•
Basket size 180	•
Basket size 150 / 300	•

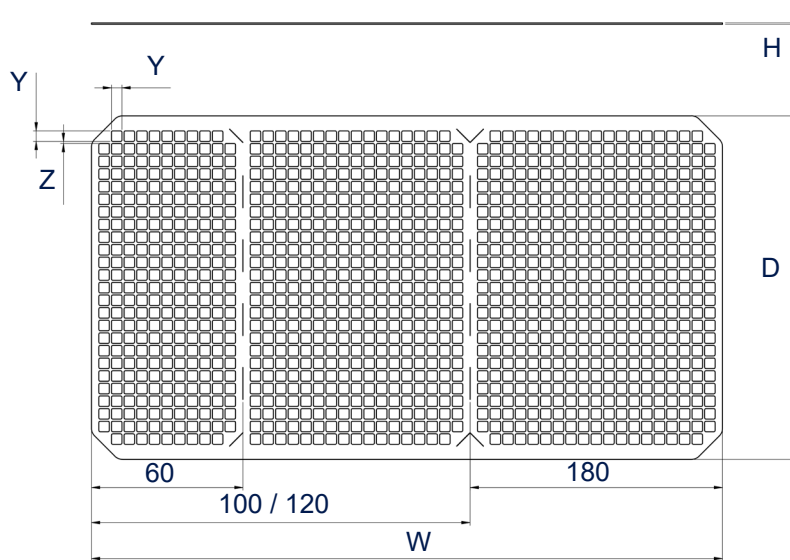
Silicone mat	L
Basket size 500	•
Basket size 900	•
Basket size Elmasonic Xtra ST 300	•
Basket size Elmasonic Xtra ST 600	•
Basket size Elmasonic Xtra ST 800	•

Elmasonic Accessory - Inserts

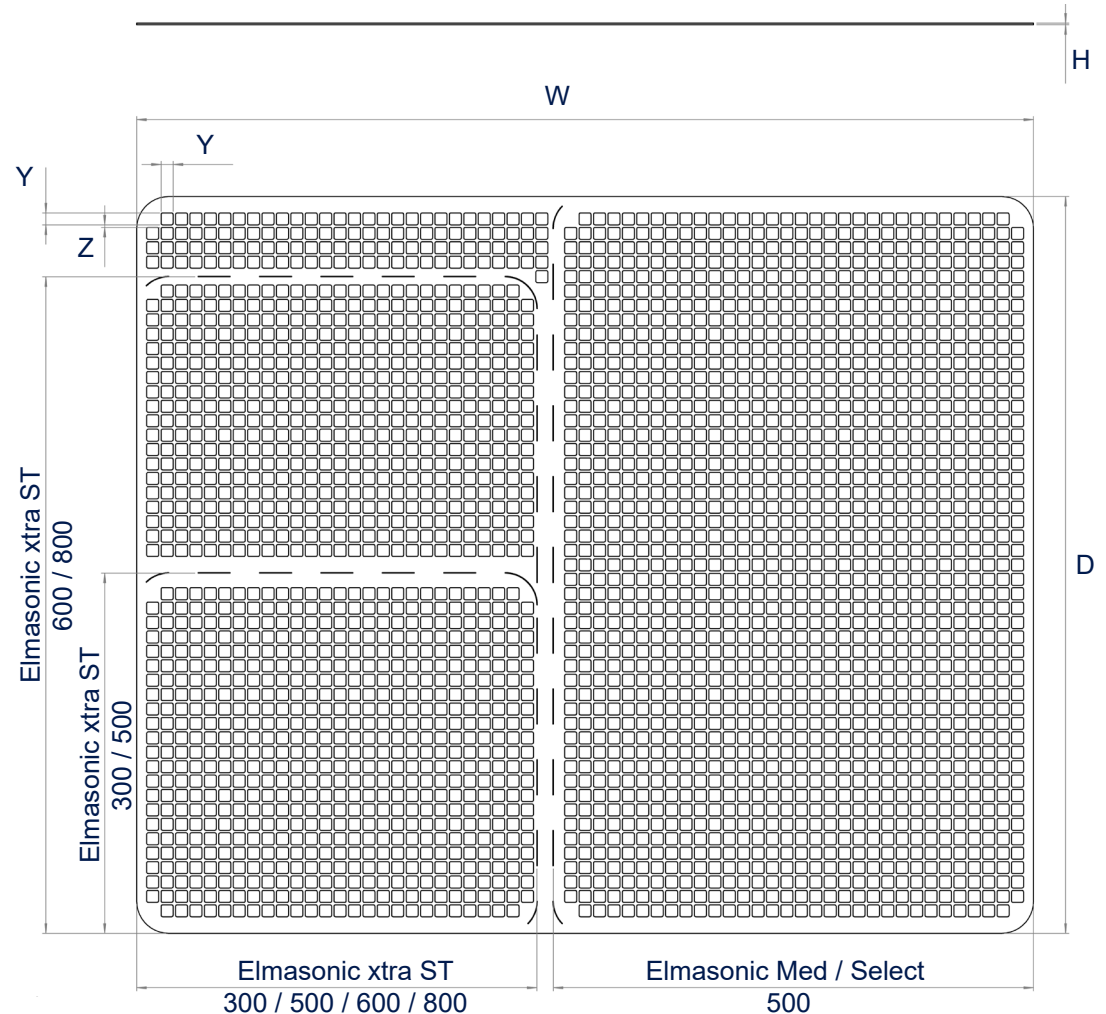
Silicone mats

Dimension definition and cutting guide

Silicone mat M



Silicone mat L



The drawings are meant as a visualization aid and are not true to scale.

Technical specifications serve as orientation values and are subject to tolerances due to production and manufacturing. Proper operation can only be guaranteed when using original Elma accessories.

Elmasonic Accessories - Inserts

Hostal tub

- For cleaning of smallest parts
- Protects sensitive parts from damage



Order numbers and s

Hostal tub	Small	Big	Big with long temples
Order number	2070390000	207040000	2070600000

Mechanical data

Hostal tub	Unit	Small	Big	Big with long temples
Max. external dimensions W / D / H	mm	185 / 105 / 95	280 / 105 / 100	280 / 105 / 125
Internal dimensions W ₁ / D ₁ / H ₁	mm	90 / 90 / 55	195 / 90 / 55	
Hole diameter Dia	mm	ø 2		

Configuration

Hostal tub	Small
Elmasonic Easy 10	•

Hostal tub	Big
Elmasonic P / Med / Select / Easy 30	•

Hostal tub	Big with long temples
Elmasonic Select / Easy / Xtra 40	•

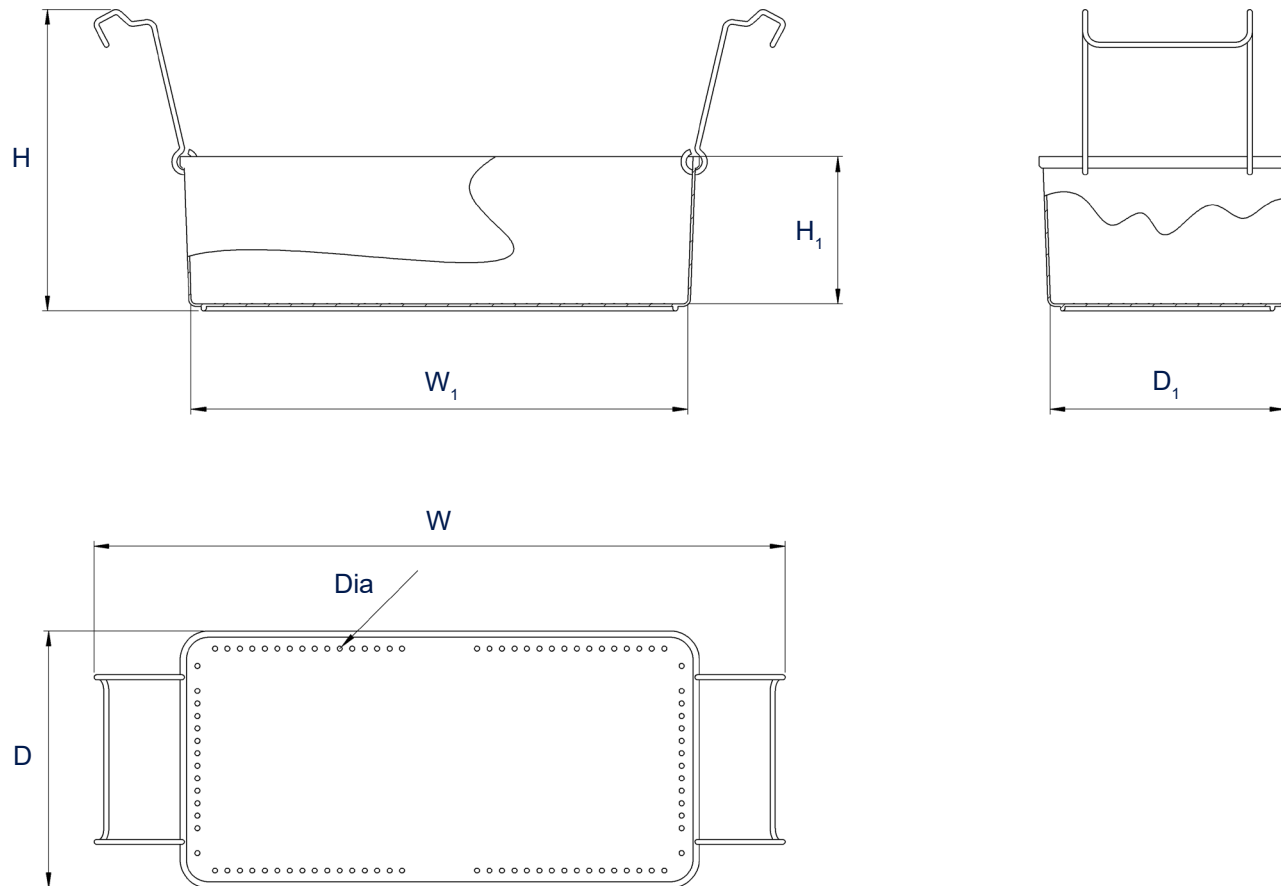
The drawings are merely included as a visualization aid and are not true to scale.

Technical specifications serve as orientation values and are subject to tolerances due to production and manufacturing. Proper operation can only be guaranteed when using original Elma Devices.

Elmasonic Accessories - Inserts

Hostal tub

Dimension definition



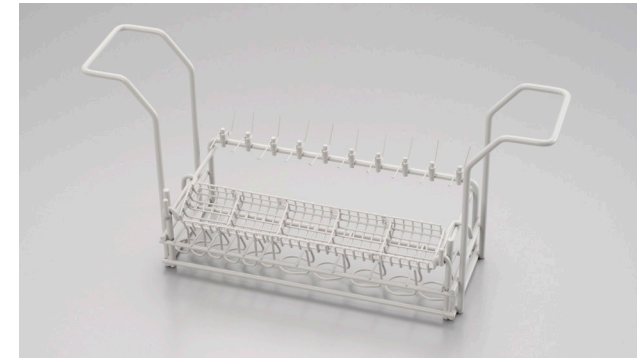
The drawings are merely included as a visualization aid and are not true to scale.

Technical specifications serve as orientation values and are subject to tolerances due to production and manufacturing. Proper operation can only be guaranteed when using original Elma Devices.

Elmasonic Accessories - Inserts

Small parts holder

- Made of stainless steel and Rislan coating to protect delicate parts
- With 10 double hangers, 10 compartments and a subdivided, removable small basket insert (5 compartments à 30x25 mm)



Order numbers and

s

	Small parts holder
Order number	1032059

Mechanical data

	Unit	Small parts holder
Max. external dimensions W / D / H	mm	305 / 115 / 140
Height hangers H ₁	mm	75

Scope of delivery

Small parts holder:
• Small parts holder
• Small basket insert

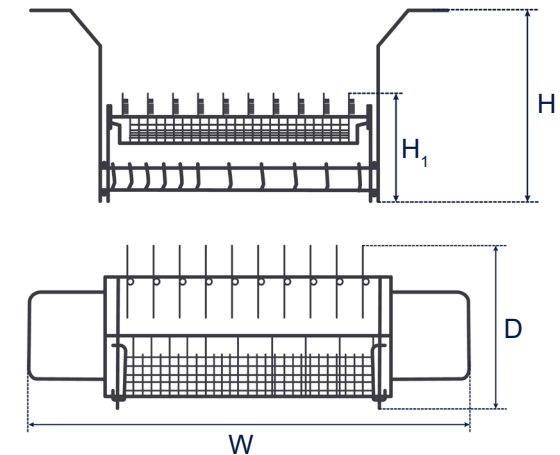
The drawings are meant as a visualization aid and are not true to scale.

Technical specifications serve as orientation values and are subject to tolerances due to production and manufacturing. Proper operation can only be guaranteed when using original Elma accessories.

Maximum configuration

	Small parts holder
Elma Dry 120	2 x
Elma Sink S	1 x
Elmasonic Med / Select / Easy 100	2 x
Elmasonic P / Med / Select / Easy 120	2 x
Elmasonic Select / Easy 40	1 x
Elmasonic Xtra 40	1 x
Elmasonic Xtra 120	2 x

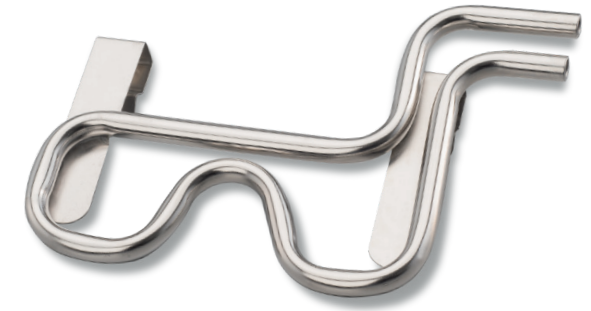
Dimension definition



Elmasonic Accessories - Practicals

Cooling coil

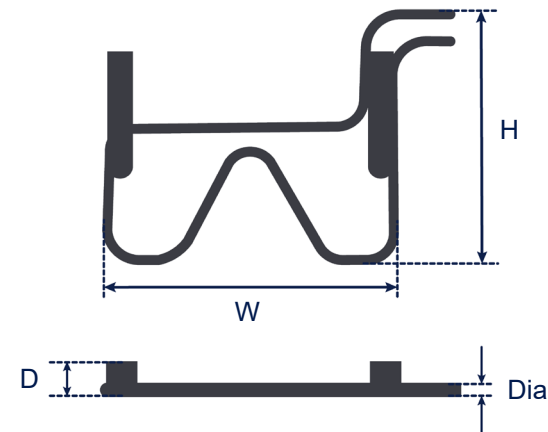
- Made of stainless steel
- For connection to a closed-circuit recirculating chiller (cryostat)
- For reducing or stabilising the process temperature in the ultrasonic bath
- Use of several cooling coils in combination is possible
- Optimal for thermostable processes



Order numbers and s

Cooling coil	70 / 150	60 / 80 - 120 / 180 / 300
Order number	1038735	1037515

Dimension definition



Mechanical data

Cooling coil	Unit	70 / 150	60 / 80 - 120 / 180 / 300
Max. external dimensions W / D / H	mm	180 / 25 / 130	200 / 25 / 175
Outer diameter Dia	mm	ø 10	

The drawings are meant as a visualization aid and are not true to scale.

Technical specifications serve as orientation values and are subject to tolerances due to production and manufacturing. Proper operation can only be guaranteed when using original Elma accessories.

Elmasonic Accessories - Practicals

Cooling coil

Maximum configuration

Cooling coil	70 / 150
Elmasonic P 70	2 x
Elmasonic Select 150	2 x

Cooling coil	60 / 80 - 120 / 180 / 300
Elmasonic Med / Select / Easy 100	1 x
Elmasonic P / Med / Select / Easy 60	1 x
Elmasonic P / Med / Select / Easy 120	1 x
Elmasonic P / Med / Select / Easy 180	1 x
Elmasonic P / Med / Select / Easy 300	1 x
Elmasonic Select 80	1 x

Elmasonic Accessories - Practicals

Drain sieve

- Made of stainless steel
- For use in the drain of an Elmasonic S, P, Easy, Med oder Select ultrasonic device of size 30 to 300
- Dirt particles ≥ 0.15 mm are caught in the wire mesh of the drain strainer and thus cannot clog the water drain
- Smallest parts ≥ 0.15 mm are caught with the drain sieve



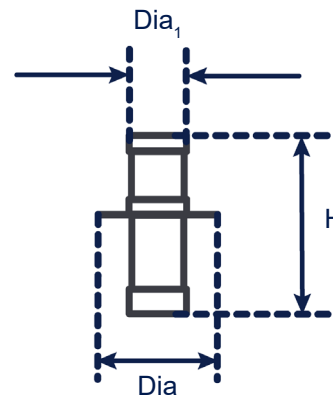
Order numbers and s

Drain sieve	2135
Order number	1045648

Mechanical data

Drain sieve	Unit	2135
Max. external dimensions W / D / H	mm	$\varnothing 21 / 35$
Diameter sieve Dia_1	mm	$\varnothing 10$
Mesh size wire mesh	mm	0,15 x 0,15

Dimension definition



Example of application



The drawings are meant as a visualization aid and are not true to scale.

Technical specifications serve as orientation values and are subject to tolerances due to production and manufacturing. Proper operation can only be guaranteed when using original Elma accessories.

Elmasonic Accessories - Practicals

Sieve cleaning module SRH 4 / 200

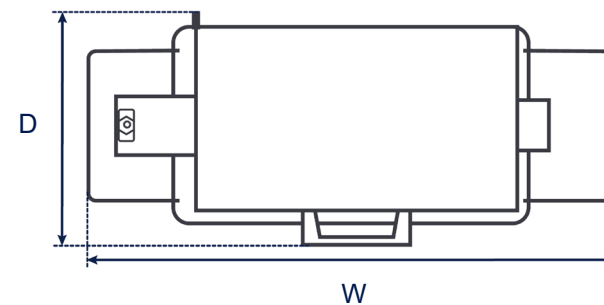
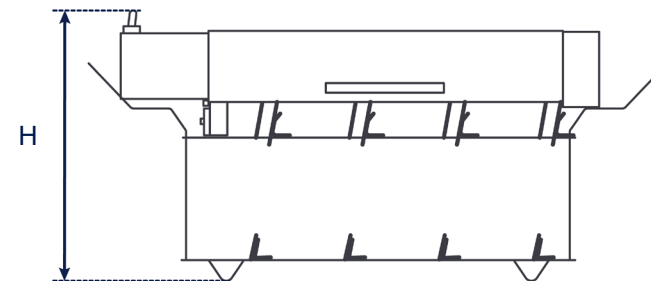
- Made of stainless steel and with integrated rotating device
- Up to 4 test sieves [Ø up to 200 / 203 mm (8")] can be cleaned simultaneously in the ultrasonic bath with the SRH 4 / 200. The inclined position of the sieves in the SRH 4 / 200 ensures a better cleaning and rinsing effect
- For gentle cleaning of the test sieves without changing the mesh size or fabric tension. This ensures that the dimensional accuracy and calibration of the sieves is maintained 100 %



Order numbers and s

Sieve cleaning module	SRH 4 / 200
Order number 230V	1042706
Order number 115V	1044904

Dimension definition



Mechanical data

Sieve cleaning module	Unit	SRH 4 / 200
Max. external dimensions W / D / H	mm	675 / 295 / 330
Weight	kg	6,8

The drawings are meant as a visualization aid and are not true to scale.

Technical specifications serve as orientation values and are subject to tolerances due to production and manufacturing. Proper operation can only be guaranteed when using original Elma devices.

Elmasonic Accessories - Practicals

Sieve cleaning module SRH 4 / 200

Maximum configuration

Sieve cleaning module	SRH 4 / 200
Elmasonic P / Med / Select / Easy 300	1 x
Elmasonic Select 500	1 x
Elmasonic Select 900	2 x

Example of application



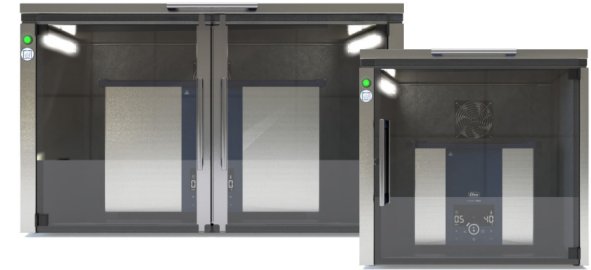
The parts shown are for illustration purposes only and are not included in the scope of delivery.

Technical specifications serve as orientation values and are subject to tolerances due to production and manufacturing. Proper operation can only be guaranteed when using original Elma devices.

Elmasonic Accessory - Elma Mutebox

Noise protection box

- Noise of the ultrasonic cleaning device operated in the mute box is reduced up to 85 %
- Vapors are exhausted via a silenced drain, so that no heat or moisture builds up inside the box.
Build-up of moisture inside the box
- Laterally arranged LED lamps
- Stainless steel jacket



Ultrasonic devices not included in the scope of delivery

Order numbers and s

Elma Mutebox	ML	XL
Order number	1111901	1123006

Scope of delivery

Elma Mutebox ML:		Elma Mutebox XL:	
• Elma Mutebox ML	• Manual	• Elma Mutebox XL	• Power supply plug
• Bottom tray with gland plate		• 2x Bottom tray with gland plate	• Manual
• Power supply plug		• Splash plate	

Technical specifications serve as orientation values and are subject to tolerances due to production and manufacturing. Proper operation can only be guaranteed when using original Elma accessories.

Elmasonic Accessory - Elma Mutebox

Noise protection box

Mechanical data

Elma Mutebox	Unit	ML	XL
Max. external dimensions W / D / H (Cover and door closed)	mm	545 / 530 / 525	860 / 605 / 525
Max. external dimensions W ₁ / D ₁ / H ₁ (Cover and door open)	mm	555 / 975 / 1015	860 / 975 / 1085
Internal dimensions W ₂ / D ₂ / H ₂	mm	430 / 380 / 445	710 / 450 / 445
Total volume bottom tray	L	3	2 x 3
Weight	Kg	18,9	26,2

Electrical data

Elma Mutebox	Unit	ML	XL
Mains voltage ± 10 %	V~	100 - 240	

Configuration

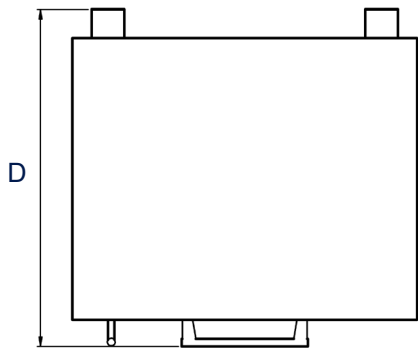
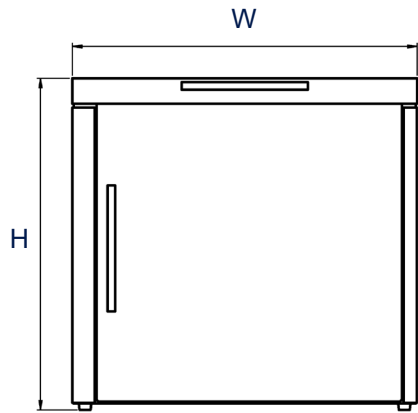
Elma Mutebox	ML	Elma Mutebox	XL
Elma Dry 30	•	Elma Dry 300	•
Elma Dry 120	•	Elma Sink XL	•
Elma Sink S	•	Elmasonic Med 200	•
Elma Sink M	•	Elmasonic P 70	•
Elma Sink L	•	Elmasonic P / Med / Select / Easy / Xtra 300	•
Elmasonic Easy 10	•	Elmasonic Select 80	•
Elmasonic Easy 20	•	Elmasonic Select 150	•
Elmasonic Med / Select / Easy 100	•		
Elmasonic P / Med / Select / Easy 30	•		
Elmasonic P / Med / Select / Easy / Xtra 60	•		
Elmasonic P / Med / Select / Easy / Xtra 120	•		
Elmasonic P / Med / Select / Easy / Xtra 180	•		
Elmasonic Select / Easy / Xtra 40	•		

Elmasonic Accessory - Elma Mutebox

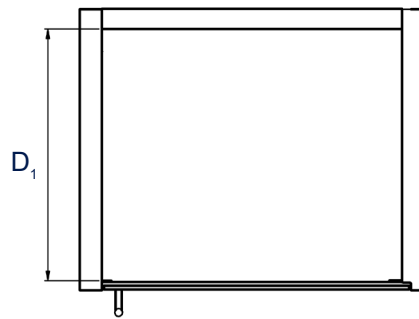
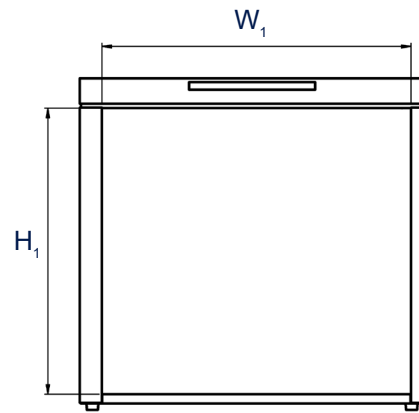
Noise protection box

Dimension definition

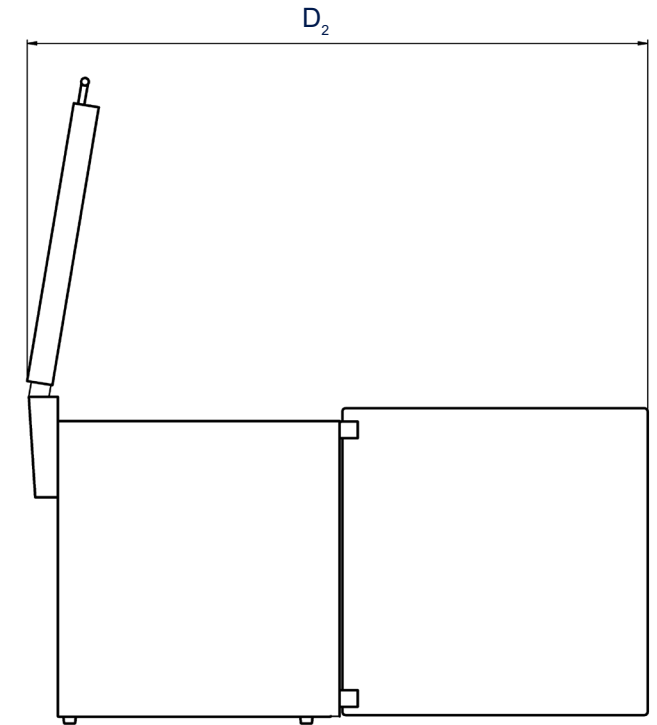
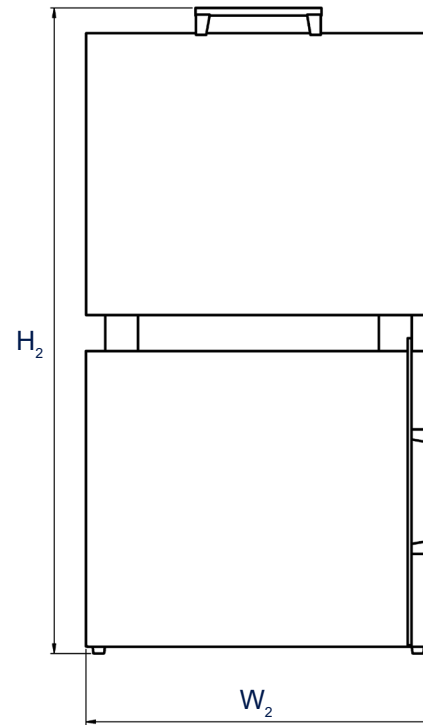
External dimensions
(Cover and door closed)



Internal dimensions



External dimensions
(Cover and door opened)



The drawings are meant as a visualization aid and are not true to scale.

Technical specifications serve as orientation values and are subject to tolerances due to production and manufacturing. Proper operation can only be guaranteed when using original Elma accessories.

Elmasonic Accessory - Elma Sink

Rinsing device

- For immersion rinsing or rinsing off objects
- Stainless steel tub
- Elma Sink L and XL are equipped with a drain
- The bath sizes are uniform to Elmasonic Easy, Med, Select and P



Order numbers and sizes

Device size	S	M	L	XL
Order number	1113839	1113840	1113841	1113843

Scope of delivery

Elma Sink S:	Elma Sink M:	Elma Sink L:	Elma Sink XL:
<ul style="list-style-type: none"> • Elma Sink S 	<ul style="list-style-type: none"> • Elma Sink M 	<ul style="list-style-type: none"> • Elma Sink L 	<ul style="list-style-type: none"> • Elma Sink XL
<ul style="list-style-type: none"> • Operating and installation instruction 	<ul style="list-style-type: none"> • Operating and installation instruction 	<ul style="list-style-type: none"> • Hose connector 	<ul style="list-style-type: none"> • Hose connector
		<ul style="list-style-type: none"> • Hose clamp 	<ul style="list-style-type: none"> • Hose clamp
		<ul style="list-style-type: none"> • Operating and installation instruction 	<ul style="list-style-type: none"> • Operating and installation instruction

Technical specifications serve as orientation values and are subject to tolerances due to production and manufacturing. Proper operation can only be guaranteed when using original Elma accessories.

Elmasonic Accessory - Elma Sink

Rinsing device

Maximum configuration

Gerätegröße	S
Basket size 30	1 x
Basket size 40	1 x

Gerätegröße	M
Basket size 20	2 x
Basket size 60	1 x

Gerätegröße	L
Basket size 60	2 x
Basket size 80	1 x
Basket size 120	1 x
Basket size 180	1 x

Gerätegröße	XL
Basket size 60	4 x
Basket size 80	2 x
Basket size 100	2 x
Basket size 120	2 x
Basket size 150	1 x
Basket size 180	1 x
Basket size 300	1 x

Technical specifications serve as orientation values and are subject to tolerances due to production and manufacturing. Proper operation can only be guaranteed when using original Elma accessories.

Elmasonic Accessory - Elma Sink

Rinsing device

Mechanical data

Device size	Unit	S		M	L			XL	
Tub size		40		60	180			300	
Total volume V	L	3,9		5,9	17,8			27,5	
Recommended tank operating capacity V _a	L	2,9		4,3	14,2			22,0	
Max. external dimensions W / D / H	mm	305 / 155 / 220		365 / 170 / 270	395 / 315 / 325			565 / 315 / 325	
Max. opening dimensions W ₂ / D ₂	mm	235 / 135		300 / 150	325 / 295			500 / 295	
Internal dimensions W ₁ / D ₁ / H ₁ (tank)	mm	215 / 115 / 145		280 / 130 / 145	300 / 270 / 195			475 / 270 / 195	
Weight (device in delivery state)	Kg	2,0		2,8	4,7			6,1	
Drain connection thread	Inches	--			3/8				
Drain hose - ID	mm	--			12				
Internal dimensions of basket W ₃ / D ₃ / H ₃ (original accessories)	mm	195 / 105 / 50	195 / 105 / 95	255 / 105 / 95	250 / 195 / 90	250 / 195 / 135	280 / 255 / 135	450 / 255 / 55	450 / 255 / 135
Max. basket loading (original accessories)	Kg	1,0	3,0	5,0	6,0	7,0	8,0	7,0	10,0

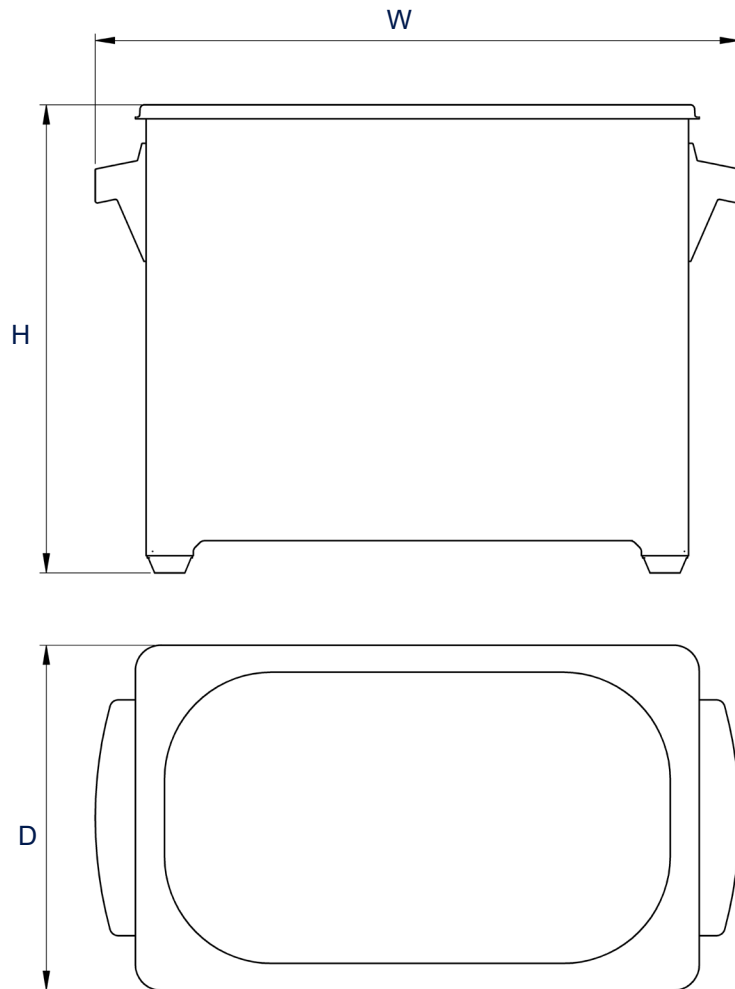
Technical specifications serve as orientation values and are subject to tolerances due to production and manufacturing. Proper operation can only be guaranteed when using original Elma accessories.

Elmasonic Accessory - Elma Sink

Rinsing device

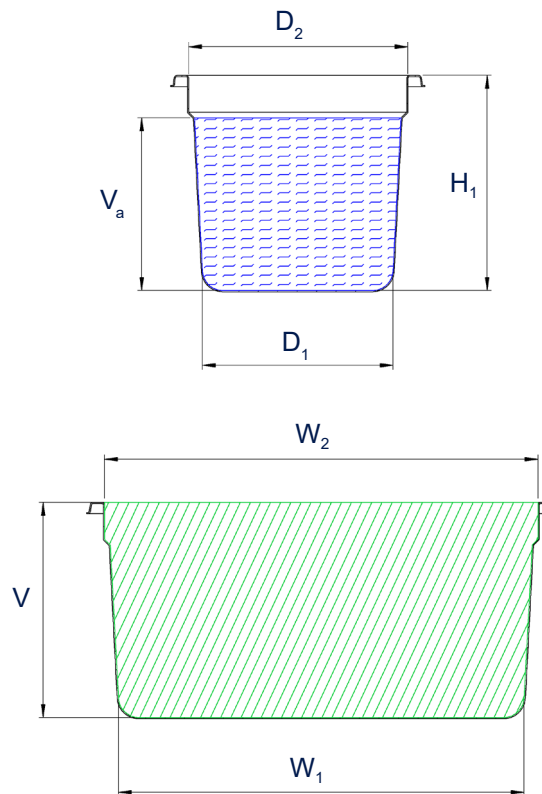
Dimension definition

Device Max. external dimensions

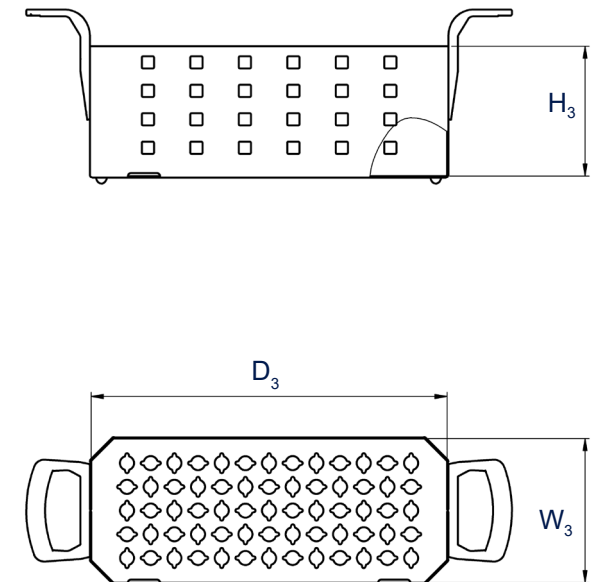


Tank int. dimensions

V_a : recommended operating capacity of the cleaning tank
(The actual operating capacity depends on the load.)



Basket int. dimensions



The drawings are meant as a visualization aid and are not true to scale.

Technical specifications serve as orientation values and are subject to tolerances due to production and manufacturing. Proper operation can only be guaranteed when using original Elma accessories.

Elmasonic Accessory - Elma Dry

Drying devices

- From Elma Dry 120 suitable for the use of different basket sizes
- Simple and quick operation via a toggle switch with three positions: Off, warm air, cold air
- Drying temperature max. 70 °C
- Cooling temperature to room temperature
- Cover to save energy and to create an effective flow turbulence around the material to be dried
- Automatic safety shutdown if temperature is too high
- Dust filter (replaceable) prevents dust from the room air from re-contaminating the material to be dried (filter fineness 33ppi)
- Stainless steel housing, drip-proof
- Very gentle air flow for sensitive parts



Order numbers and sizes

Device size	30	120	300
Order number 220 - 240 V~	1082175	1078542	1078575
Order number 115 - 120 V~	1082662	1082664	1082666

Scope of delivery

Elma Dry 30, 120, 300:	
• Elma Dry 30, 120 or 300	• Power cord with rubber connector (2m length)
• Cover	• Manual

Technical specifications serve as orientation values and are subject to tolerances due to production and manufacturing. Proper operation can only be guaranteed when using original Elma accessories.

Elmasonic Accessory - Elma Dry

Drying devices

Maximum configuration

Unit size	30
Basket size 30	1 x
Basket size 40	1 x

Unit size	120
Basket size 30	2 x
Basket size 40	2 x
Basket size 100	1 x
Basket size 120	1 x

Unit size	300
Basket size 60	3 x
Basket size 100	2 x
Basket size 120	2 x
Basket size 150	1 x
Basket size 300	1 x

Technical specifications serve as orientation values and are subject to tolerances due to production and manufacturing. Proper operation can only be guaranteed when using original Elma accessories.

Elmasonic Accessory - Elma Dry

Drying devices

Mechanical data

Device size	Unit	30	120	300
Max. external dimensions W / D / H (unit with cover)	mm	300 / 186 / 219	362 / 285 / 322	568 / 347 / 322
Max. opening dimensions W ₂ / D ₂	mm	235 / 135	295 / 235	500 / 395
Internal dimensions W ₁ / D ₁ / H ₁ (tank)	mm	220 / 120 / 95	275 / 215 / 195	475 / 270 / 195
Mesh size Y x Z	mm	2 x 0,63		
Weight (device in delivery state)	Kg	3,6	6,1	10,2
Max. basket loading (original accessories)	Kg	1	7	12

Electrical data

Device size	Unit	30	120	300
Mains voltage ± 10 %	V	220 - 240 / 115 - 120		
Mains frequency	Hz	50 / 60		
Max. heating power at 120 and 240V	W	480	550	1100
Max. power at 120 and 240V	W	500	570	1140
Max. temperature	°C	70		
Heating time	min	~ 15		
Air output max.	m ³ /h	160		320

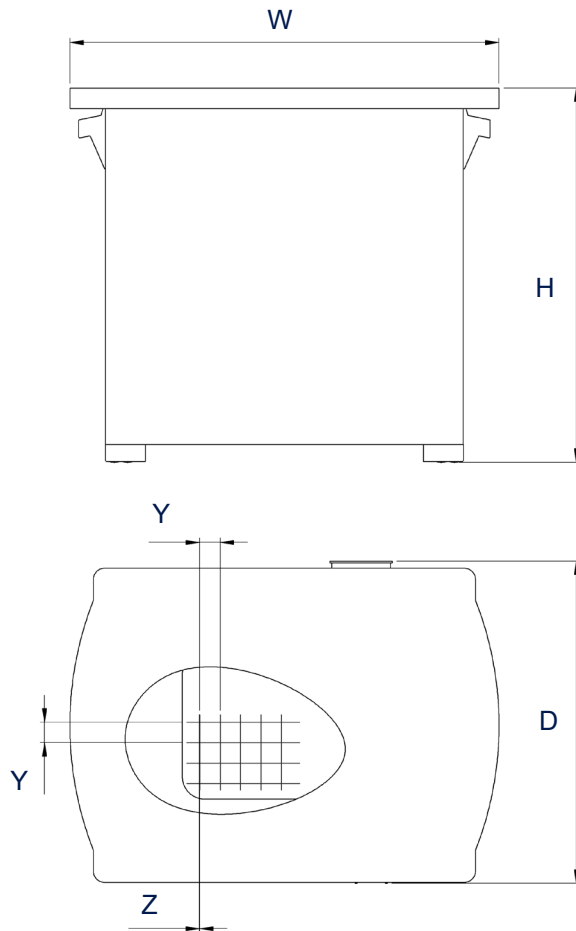
Technical specifications serve as orientation values and are subject to tolerances due to production and manufacturing. Proper operation can only be guaranteed when using original Elma accessories.

Elmasonic Accessory - Elma Dry

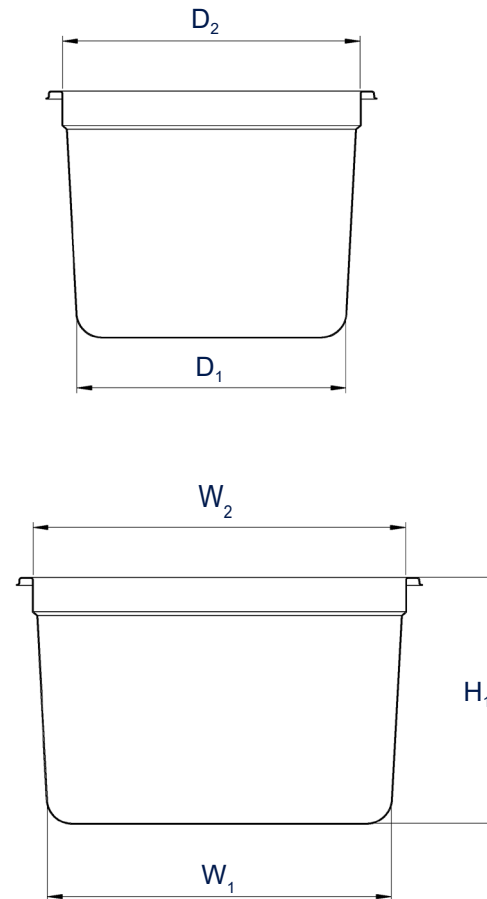
Drying devices

Dimension definition

Device outer dimensions



Tank internal dimensions



The drawings are meant as a visualization aid and are not true to scale.

Technical specifications serve as orientation values and are subject to tolerances due to production and manufacturing. Proper operation can only be guaranteed when using original Elma accessories.

Elmasonic Easy R Accessories - Covers

Plastic cover

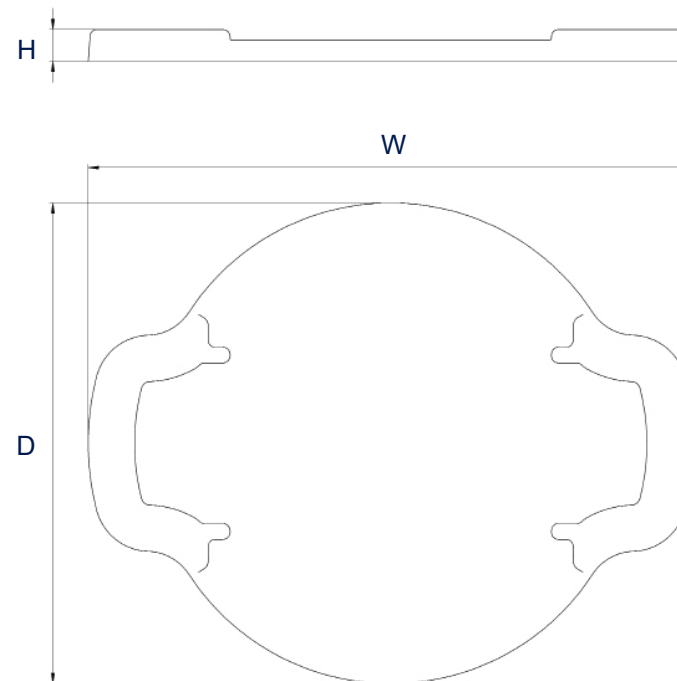
- Available in colors:
 - Standard: Cobalt blue (RAL 5013)*¹
 - More colors: Ultramarine blue (RAL 5002)*²
- Reduce the noise of the ultrasonic cleaning
- Save energy and costs by collecting and recirculating evaporating water from the ultrasonic bath
- Serve upside down as a drip tray for the basket and cleaned parts



Order numbers and sizes

Cover size	50 R
Order number cobalt blue (RAL 5013)* ¹	1086909
Order number ultramarine blue (RAL 5002)* ²	1046008

Dimension definition



Mechanical data

Cover size	Unit	50 R
Max. external dimensions W / D / H	mm	345 / 275 / 20

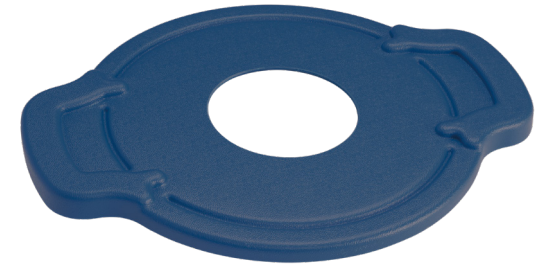
The drawings are meant as a visualization aid and are not true to scale.

Technical specifications serve as orientation values and are subject to tolerances due to production and manufacturing. Proper operation can only be guaranteed when using original Elma Devices.

Elmasonic Easy R Accessories - Covers

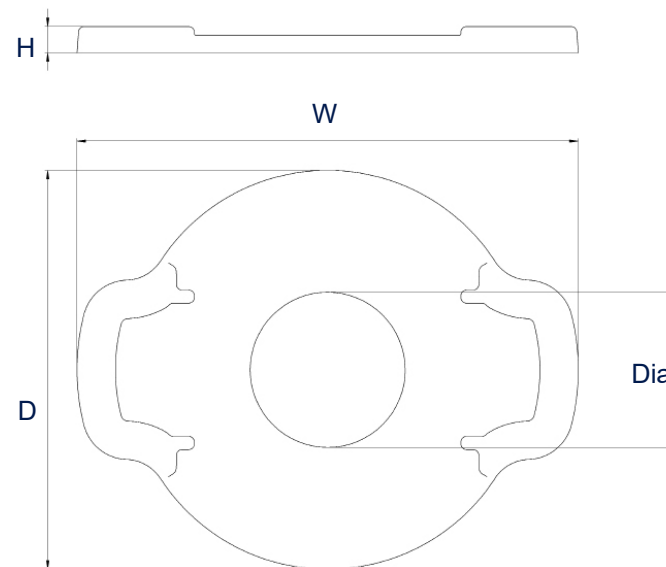
Plastic cover with hole

- Available in colors:
 - Cobalt blue (RAL 5013)
- To be placed on the ultrasonic cleaning device
- For 1 cleaning glass



Order numbers and	s
Cover size	50 R
Order number	1128604

Dimension definition



Examples of application



Mechanical data

Cover size	Unit	50 R
Max. external dimensions W / D / H	mm	345 / 275 / 20
Hole diameter cover Dia	mm	ø 95

The drawings are meant as a visualization aid and are not true to scale.

Technical specifications serve as orientation values and are subject to tolerances due to production and manufacturing. Proper operation can only be guaranteed when using original Elma Devices.

Elmasonic Easy R Accessories - Baskets

Basket of goods

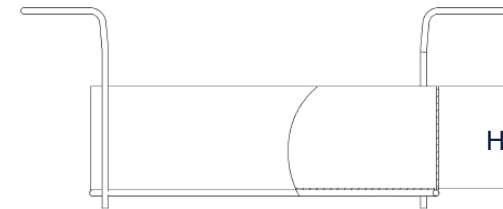
- Made of stainless steel and with Rilsan-coated handles



Order numbers and s

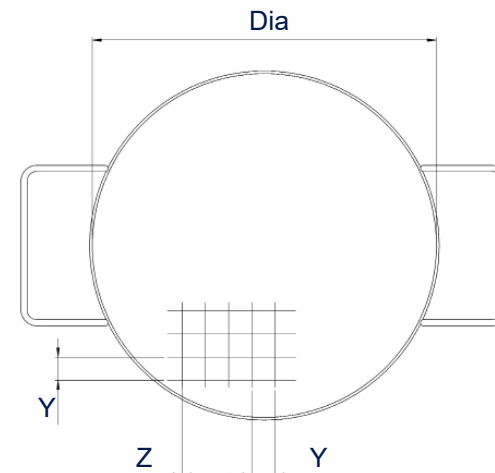
Basket size	50 R	350 R
Order number	1046006	1062233

Dimension definition



Mechanical data

Basket size	Unit	50 R	350 R
Basket Internal dimensions Dia / H	mm	220 / 65	545 / 70
Mesh size Y x Z	mm	10 x 1,6	10 x 1,6



The drawings are meant as a visualization aid and are not true to scale.

Technical specifications serve as orientation values and are subject to tolerances due to production and manufacturing. Proper operation can only be guaranteed when using original Elma Devices.

Elmasonic Easy R Accessories - Holder

Laboratory glass holder set

- For holding laboratory bottles with a neck diameter of up to 40mm
- Stainless steel tripod rod with a length of 600mm



Order numbers and specifications

Laboratory glass holder set	50 R
Order number	1049786

Examples of application



Scope of delivery

Laboratory glass holder set:	
• Holder	• Three-finger clamp
• Tripod rod	• Double socket

The drawings are meant as a visualization aid and are not true to scale.

Technical specifications serve as orientation values and are subject to tolerances due to production and manufacturing. Proper operation can only be guaranteed when using original Elma Devices.