

## Elmasonic Accessories - Inserts

Acid resistant insert tank with cover

- for cleaning with aggressive chemicals
- consist of deep-drawn polypropylene and are highly resistant to chemicals
- are hung directly into the ultrasonic unit, which is filled with little water (contact liquid) beforehand. The ultrasound is then transferred via the contact liquid into the insert tank filled with working liquid (e.g. acid)



	30	60	100	120	180	300	500
Order number	2070890000		2070900000		2070910000	2000008000	2070780000
Tank ext. dim. W/D/H (mm)	300/200/115		365/305/170		390/370/215	570/365/215	530/325/205
Tank int. dim. W/D/H (mm)	195/95/110		250/190/165		270/245/210	440/240/210	480/275/200
Recom. op. capacity V <sub>a</sub> (l)	1,3		5,8		11,0	19,0	18,3
Suitable for							
• Elmasonic E+	•	•	•	•	•	•	
• Elmasonic Med	•	•	•	•	•	•	•
• Elmasonic Select	•	•	•	•	•	•	•
• Elmasonic S	•	•	•	•	•	•	•
• Elmasonic P	•	•		•		•	

Technical specifications serve as orientation values and are subject to tolerances due to production and manufacturing. Proper operation can only be guaranteed when using original Elma accessories.

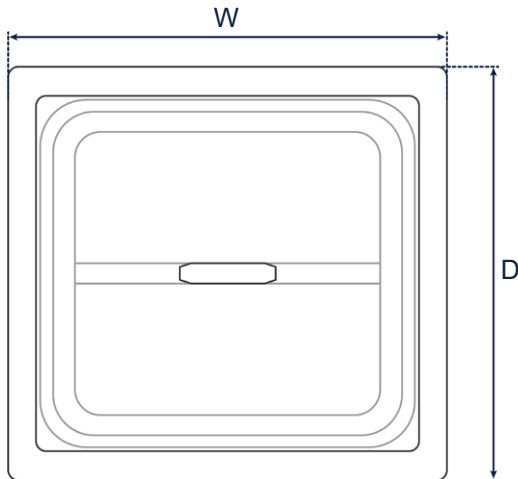
03\_11\_Subject to technical and visual modifications.

## Elmasonic Accessory - Inserts

Acid resistant insert tank with cover

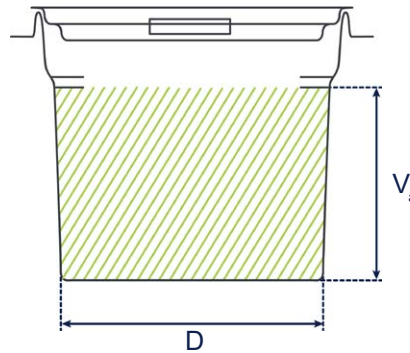
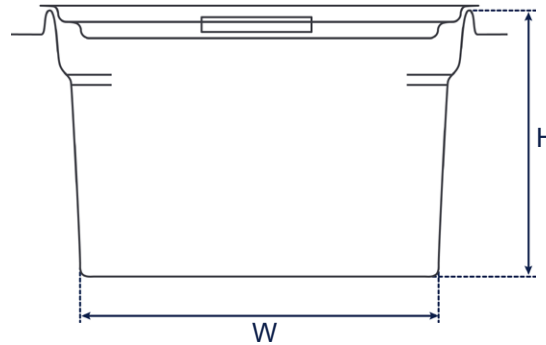
### Dimension definition

Tank outer dimensions



Tank internal dimensions

$V_a$ : recommended operating capacity of the cleaning tank  
(The actual operating capacity depends on the load.)



The drawings are merely included as a visualization aid and are not true to scale.