

## Elmasonic Accessory - Elma Dry

### Drying devices

- from Elma Dry 120 suitable for the use of different basket sizes
- simple and quick operation via a toggle switch with three positions: Off, warm air, cold air
- drying temperature max. 70 °C
- cooling temperature to room temperature
- cover to save energy and to create an effective flow turbulence around the material to be dried
- automatic safety shutdown if temperature is too high
- dust filter (replaceable) prevents dust from the room air from re-contaminating the material to be dried (filter fineness 33ppi)
- stainless steel housing, drip-proof
- very gentle air flow for sensitive parts
- Product contents:
  - 1x Elma Dry 30, 120 or 300, 1x Cover,
  - 1x Power cable with rubber connector (2 m length), 1x Operating manual



Device size	30	120	300
Order number 220 - 240 V~	1082175	1078542	1078575
Order number 115 - 120 V~	1082662	1082664	1082666

All prices ex works, excluding packaging.

12\_20\_Subject to technical and visual modifications.

## Elmasonic Accessory - Elma Dry

Drying devices

### Technical Data - Mechanics

Elma Dry	30	120	300
Device ext. dimensions W / D / H (mm)	300 / 186 / 219	362 / 285 / 322	568 / 347 / 322
Tank int. dimensions W <sub>1</sub> / D <sub>1</sub> / H <sub>1</sub> (mm)	220 / 120 / 95	275 / 215 / 195	475 / 270 / 195
Opening dimensions W <sub>2</sub> / D <sub>2</sub> (mm)	235 / 135	295 / 235	500 / 395
Mesh size Y x Z (mm)	2 x 0,63		
Weight incl. cover (kg)	3,6	6,1	10,2
Load max. (kg)	1	7	12
Suitable basket sizes			
Elmasonic S, P, Med, Select, Easy	1 x 30/40	2 x 30/40 1 x 100/120	3 x 60 1 x 60 + 1 x 100/120 2 x 100/120 1 x 150/300
Elmasonic xtra TT	--	2 x 30 1 x 60	1 x 30 1 x 60 1 x 120 1 x 200
xtra 30, 50, 70, 150	--	1 x 30 1 x 50	3 x 30 1 x 70 1 x 150

12\_20\_Subject to technical and visual modifications.

## Elmasonic Accessory - Elma Dry

Drying devices

### Technical Data - Electronics

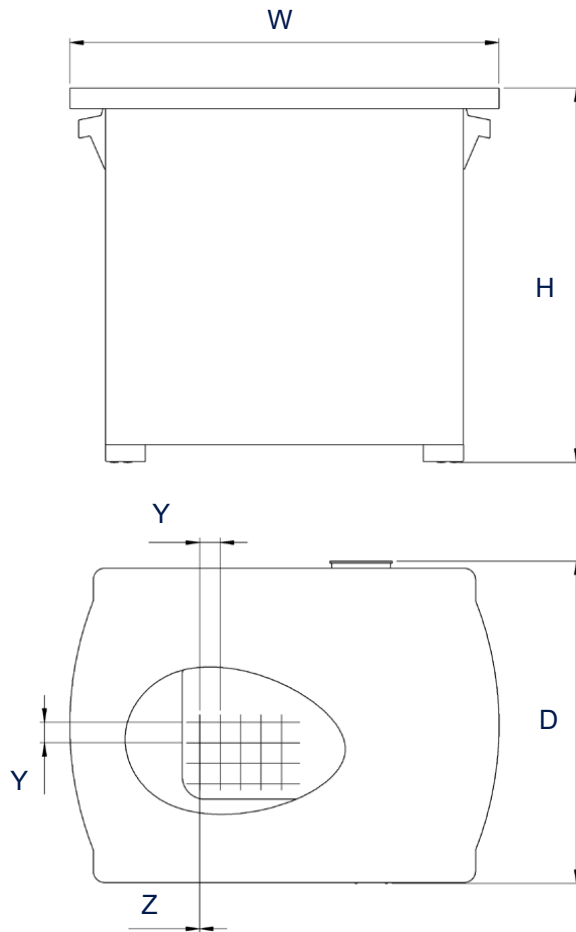
Elma Dry	30	120	300
Mains voltage (V~)	220 - 240 / 115 - 120		
Mains frequency (Hz)	50 / 60		
Heating power (W)	480	550	1100
Power (W)	500	570	1140
Temperature max. (°C)	70		
Heating time (min)	~ 15		
Air output max. (m³/h)	160		320

## Elmasonic Accessory - Elma Dry

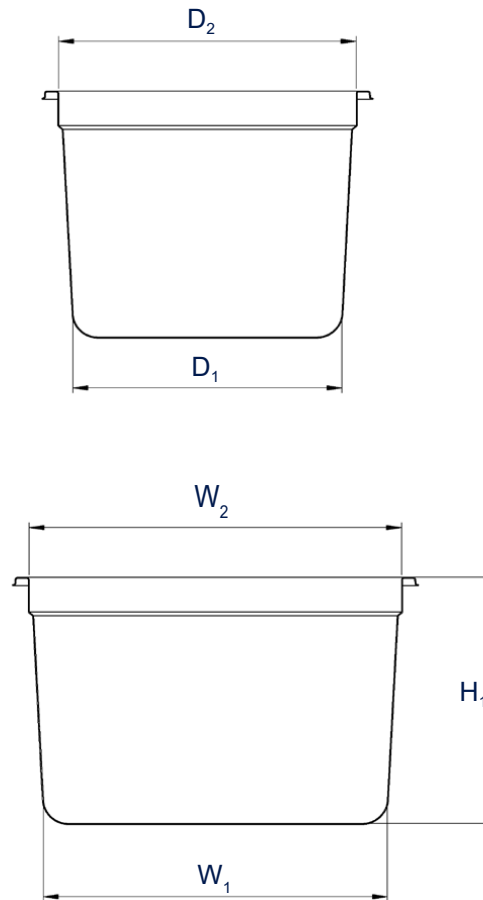
Drying devices

### Dimension definition

Device outer dimensions



Tank internal dimensions



The drawings are meant as a visualization aid and are not true to scale.

12\_20\_Subject to technical and visual modifications.

## Pricing (2026)

Model	Item Number	Tovatech Price	Pages
Elma Dry 30 - 115V	108 2662	\$1,023	1
Elma Dry 120 - 115V	108 2664	\$1,429	1
Elma Dry 300 - 115V	108 2666	\$2,588	1