

Ultrasonic Cleaning System

Model 5424 • 135 Gallon Digital Console

With Pump and Filter

Made in the USA since 1972!



Description

ULTRASONIC POWER CORPORATION, self-contained, portable **Model 5424**, ultrasonic cleaning system. Built for long term, continuous, reliable, precision cleaning with the following features:

- 36 Vibra-bar® transducers, 72 piezoelectric (PZT) stacks mounted to tank bottom
- High efficiency generator circuitry, meets all FCC requirements
- Sweep circuitry (adjustable from 300 Hz to 1000 Hz)
- Includes a digital timer for controlling ultrasonic cleaning time and temperature
- Patented constant power circuit design monitors power output continuously adjusting input power for controlled consistency (US patent number 5,895,997)
- Simultaneous Multi-Frequency® ultrasonic cleaning power
- Adjustable power intensity and sweep rate
- Heavy duty, 12-gauge bottom, 14-gauge sides, 316L stainless steel tank, double TIG welded for durability
- Double wall, all stainless steel construction with four 5-inch industrial locking swivel castors

- 14 ft power cord
- 1 in drain, heavy duty ball valve, sloped bottom for easy draining
- ¾ in pump return port
- Includes operator manual

Specifications

Inside Dimensions	54" (L) x 24" (W) x 24" (H)
Overall Dimensions	66.5" (L) x 29" (W) x 29" (H)
Ultrasonic Power	3000 watts (6000 watts peak)
Ultrasonic Generator	(Three) 40 kHz, 1000 watt
Heat Power	4000 watts
Power Requirement	240 VAC, 50/60 Hz, single phase, 33.9A
Filtration System	7GPM nominal pump with (1) polypro strainer (1) 10 in, polypro filter housing (1) 20-micron, polyspun, filter

Ultrasonic Transducers

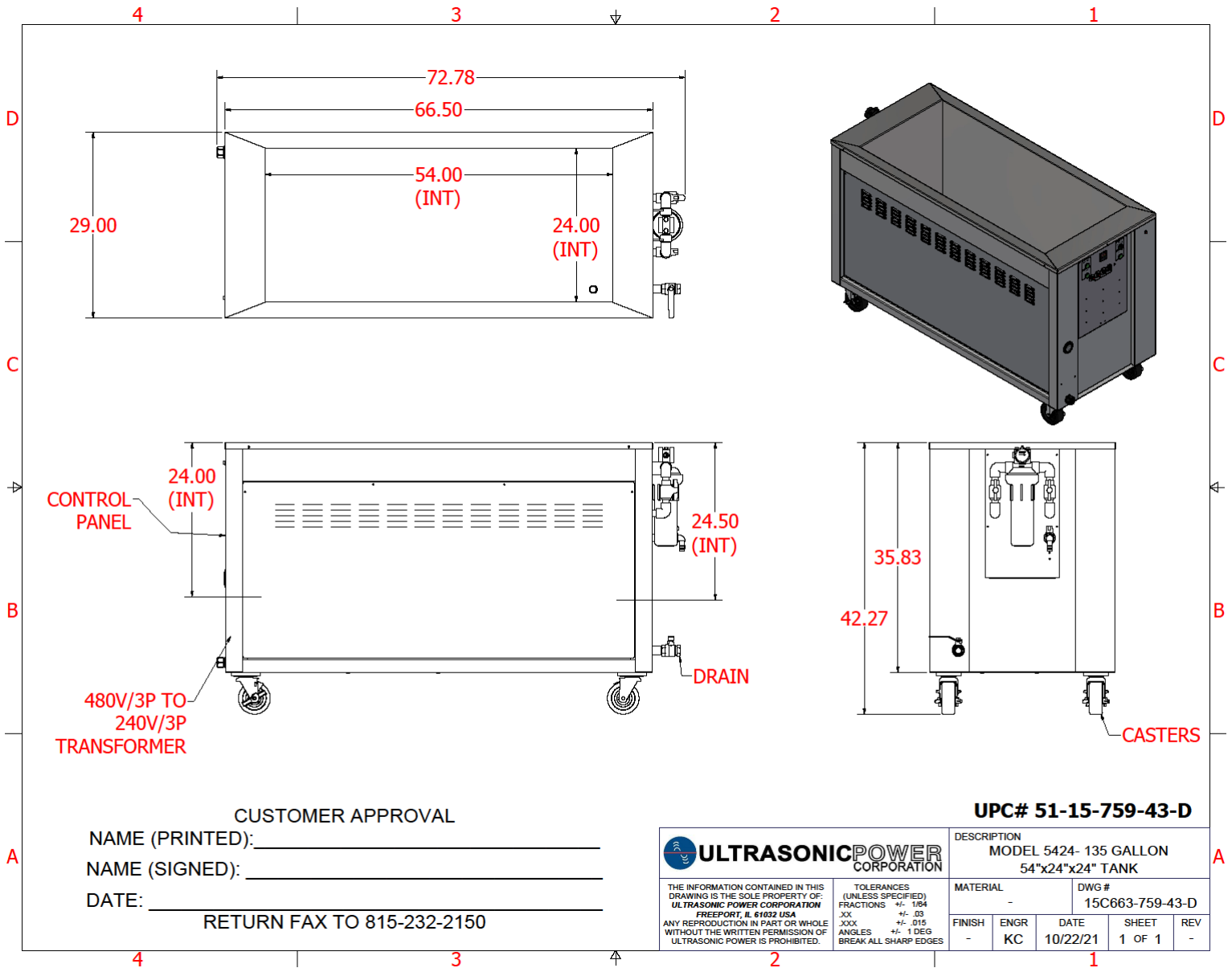
All UPC systems feature our unique Vibra-Bar® transducers which are permanently bonded to the radiating surface. This bond is guaranteed for 10 years. The unique construction of the Vibra-Bar® provides complex resonance of 40-90 kHz, which produces UPC's patented Simultaneous Multi-Frequency®, thus virtually eliminating undesirable standing waves.

Ultrasonic Generators

All UPC generators feature our patented modulation sweep and power intensity control technology. Power intensity control maximizes the unit's ability to clean small delicate items or large bulk items. Our generators use solid state circuitry backed by 50+ years of field proven reliability. UPC's generators provide consistent, predictable ultrasonic cleaning power throughout the cleaning bath, even as the solution temperature or load volume increases.

Ultrasonic Cleaning System | Model 5424 • 135 Gallon Digital Console

With Pump and Filter





Made in the USA since 1972!



MADE IN THE USA

Since 1972, Ultrasonic Power Corporation has focused on customer satisfaction and technological leadership establishing our precision ultrasonic cleaning systems as superior when measured against all others.

- **100% designed and manufactured in the USA, since 1972.**
- **Guaranteed Quality:** We control quality in our products as we source parts and materials for our product line locally, regionally and from throughout the USA.
- **Durability, reliability, efficiency and up-time performance:** These systems are industrial grade and can be operated 24/7.

10-5-2 WARRANTY

10 Year Bond for the Vibra-Bar® Transducer to the radiating surface shall be free from defects in material and workmanship and is guaranteed not to crack, depolarize or detach from the radiating surface for ten (10) years.

5 Year Generator shall be free from defects in material and workmanship for 5 (five) years.

2 Year Transducer components shall be free from defects in material and workmanship for two (2) years.

All other components, electrical and mechanical, used in manufacturing by UPC not otherwise identified above, such as industrial-grade stainless steel tanks, shall be free from defects in material and workmanship for a period of two (2) years.

