

# Product Information



## Elmasonic Select

Ultrasonic cleaning devices



### Order numbers

Elmasonic Select	30	40	60	80	100	120	150	180	300	500	900
Order number 220-240 V~	1106989	1106668	1106990	1106853	1106991	1106992	1106993	1106994	1106995	1108777	1108778
Order number 115-120 V~	1106996	1106997	1106998	1106999	1107000	1107001	1107002	1107003	1107004	-	-
Order number 220-240 V~ with sound protection cover										1109445	1109446

### Scope of delivery

- Cover / drip tray (Elmasonic Select 30 - 300); Stainless steel cover or Sound-protection cover (Elmasonic Select 500 / 900)
- Operating manual
- Power cable with rubber connector (2 m length)
- Hose connection grommet (from Elmasonic Select 60), drain hose not included

All prices ex works, excluding packaging, plus VAT.

Technical specifications serve as orientation values and are subject to tolerances due to production and manufacturing. Proper operation can only be guaranteed when using original Elma accessories.

## Elmasonic Select

### Product features and functions

- 37 kHz ultrasonic frequency (control range -2,5/+5,5 kHz)
- 5 ultrasonic modes for need-based sound field distribution in the ultrasonic bath
  - eco-mode: Gentle cleaning with quieter operation by running the sweep-mode at a slightly lower intensity
  - sweep-mode: Even cleaning through even sound field distribution in the ultrasonic bath
  - pulse-mode: Removal of even stubborn contamination through pulsating sound field distribution
  - dynamic-mode: Combination of the ultrasonic modes sweep and pulse in order to increase the cleaning performance
  - degas-mode: Quick degassing of the cleaning liquid and for special applications in the laboratory
- 4 memory locations for cleaning programs, available via quick selection
- Autostart function for temperature-controlled start of cleaning
- Adjustable limit temperature from 40-60 °C (can be switched to °F)
- Digital control unit with wipeable membrane keyboard and easy-to-read display for displaying all operating states
- Optical and acoustic feedback, e.g. at the end of cleaning or when the limit temperature is reached
- Pre-selection of cleaning time: cleaning time adjustable between 1 minute and 6 hours
- Electronic temperature control adjustable in steps of 5 °C from 25-80 °C (can be switched to °F; temperature tolerance -5/+8 °C)
- Setup menu for individual adjustment of the device functions
- Dry run protection (except for Elmasonic Select 500 and 900)
- Automatic safety shutdown after 8 hours
- Splash-proof case and cleaning tank made of stainless steel
- Shut-off valve on the side for emptying the cleaning tank via the outlet on the rear of the device (only for Elmasonic Select 60 to 300)
- Shut-off valve and outlet on the side of the device for emptying the cleaning tank (only for Elmasonic Select 500 and 900)
- 2-year warranty from the initial operation, but no longer than 3 years from the production date

Technical specifications serve as orientation values and are subject to tolerances due to production and manufacturing. Proper operation can only be guaranteed when using original Elma accessories.

## Elmasonic Select

### Technical Data - Mechanics

Elmasonic Select	30	40	60	80	100	120
Total capacity V (l)	2,7	3,9	5,9	9,3	9,5	12,9
Recom. operating capacity V <sub>a</sub> (l)	1,6	2,9	4,3	6,8	6,8	10,0
Unit ext. dimensions W/D/H (mm)	305/170/230	305/170/280	370/210/275	570/195/280	380/300/280	380/300/330
Opening dimensions W <sub>3</sub> /D <sub>3</sub> (mm)	235/135	235/135	295/145	500/135	295/235	275/235
Tank int. dimensions W <sub>2</sub> /D <sub>2</sub> /H <sub>2</sub> (mm)	220/120/95	215/115/145	275/125/145	475/110/145	280/220/145	300/215/195
Weight incl. cover (kg)	3,6	3,8	5,2	6,9	6,2	7,7
Drain hose - ID (mm)				12,0		
Basket int. dimensions W <sub>4</sub> /D <sub>4</sub> /H <sub>4</sub> (mm)	195/105/50	190/105/75	255/115/75	455/106/75	255/200/70	250/190/110
Total basket loading (kg)	1,0	3,0	5,0	5,0	6,0	7,0

Technical specifications serve as orientation values and are subject to tolerances due to production and manufacturing. Proper operation can only be guaranteed when using original Elma accessories.

## Elmasonic Select

### Technical Data - Mechanics

Elmasonic Select	150	180	300	500	900
Total capacity V (l)	14,6	17,8	27,5	49,7	89,0
Recom. operating capacity V <sub>a</sub> (l)	8,7	14,2	22,0	40,3	63,7
Unit ext. dimensions W/D/H (mm)	575/360/230	405/360/330	575/360/330	775/425/505	875/595/505
Unit ext. dimensions with open noise protection cover W/D <sub>1</sub> /H <sub>1</sub> (mm)				775/510/975	875/640/1145
Opening dimensions W <sub>3</sub> /D <sub>3</sub> (mm)	500/395	325/295	500/395		
Tank int. dimensions W <sub>2</sub> /D <sub>2</sub> /H <sub>2</sub> (mm)	485/280/95	300/270/195	475/270/195	500/330/290	600/500/285
Weight incl. cover (kg)	8,8	10,2	12,2	30,4	43,4
Weight incl. noise protection cover (kg)				34,7	49,3
Drain hose - ID (mm)	12,0			19,0	
Basket int. dimensions W <sub>4</sub> /D <sub>4</sub> /H <sub>4</sub> (mm)	455/250/45	280/250/115	455/250/110	460/300/195	545/460/190
Total basket loading (kg)	7,0	8,0	10,0	20,0	30,0

Technical specifications serve as orientation values and are subject to tolerances due to production and manufacturing. Proper operation can only be guaranteed when using original Elma accessories.

## Elmasonic Select

### Technical Data - Electronics and noise levels

Elmasonic Select	30	40	60	80	100	120	150	180	300	500	900
Mains voltage (V~)	220-240 / 115-120										
Mains frequency (Hz)	50/60										
Power consumption total (W)	320		550	750	550	1000	1100	1000	1500	2140	2960
Ultrasonic power effective $\pm 10\%$ (W)	120		150	150	150	200	300	200	300	540	960
Ultrasonic peak power max.** (W)	480		600	600	600	800	1200	800	1200	2160	3840
Heating power (W)	200		400	600	400	800	800	800	1200	1600	2000
Temperature ( $^{\circ}\text{C}$ )	25-80										
Protection class	IP 20										
Sound pressure level (LpAU)***	< 80 dB										
Ultrasonic sound level (LpZ)***	< 110 dB										

\*\* The signal form of the wave results in a factor 4 for the ultrasonic peak max., depending on the modulation of the wave.

\*\*\* Measured sound pressure level with basket and cover at 1 m distance.

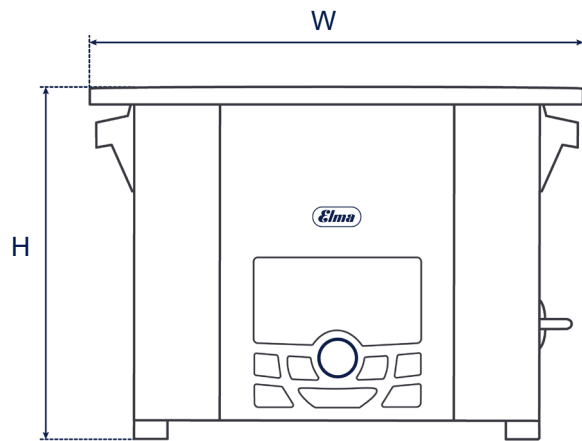
Technical specifications serve as orientation values and are subject to tolerances due to production and manufacturing. Proper operation can only be guaranteed when using original Elma accessories.

## Elmasonic Select

### Dimension definition

#### Unit outer dimensions

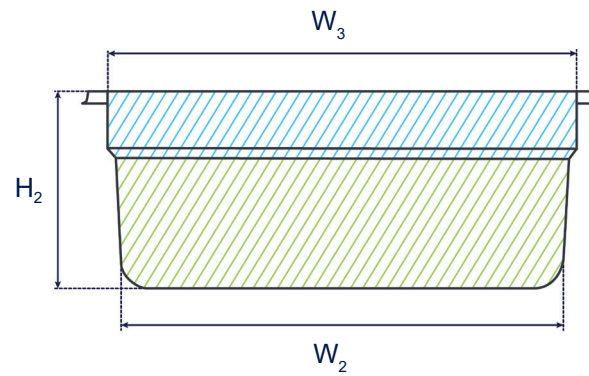
Elmasonic Select 30 - 300



#### Tank internal dimensions

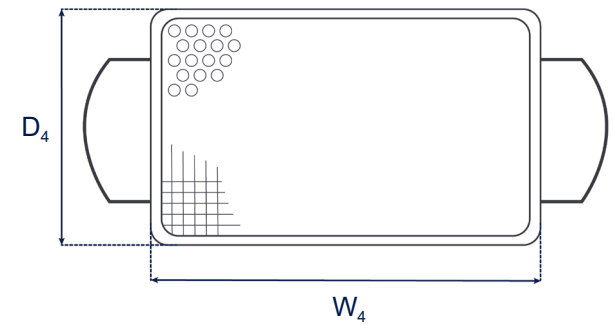
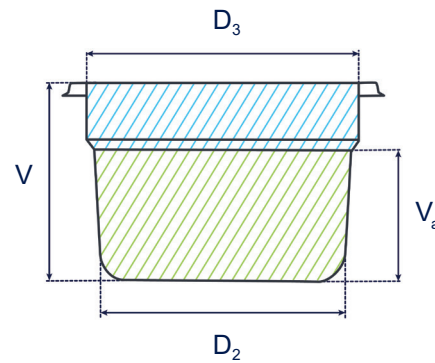
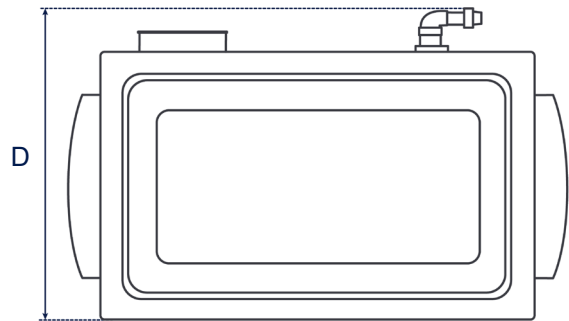
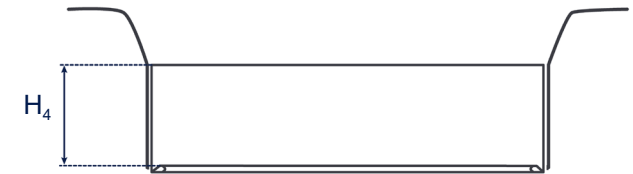
Elmasonic Select 30 - 300

$V_a$ : recommended operating capacity of the cleaning tank  
(The actual operating capacity depends on the load.)



#### Basket internal dimensions

Elmasonic Select 30 - 900



The drawings are merely included as a visualization aid and are not true to scale.

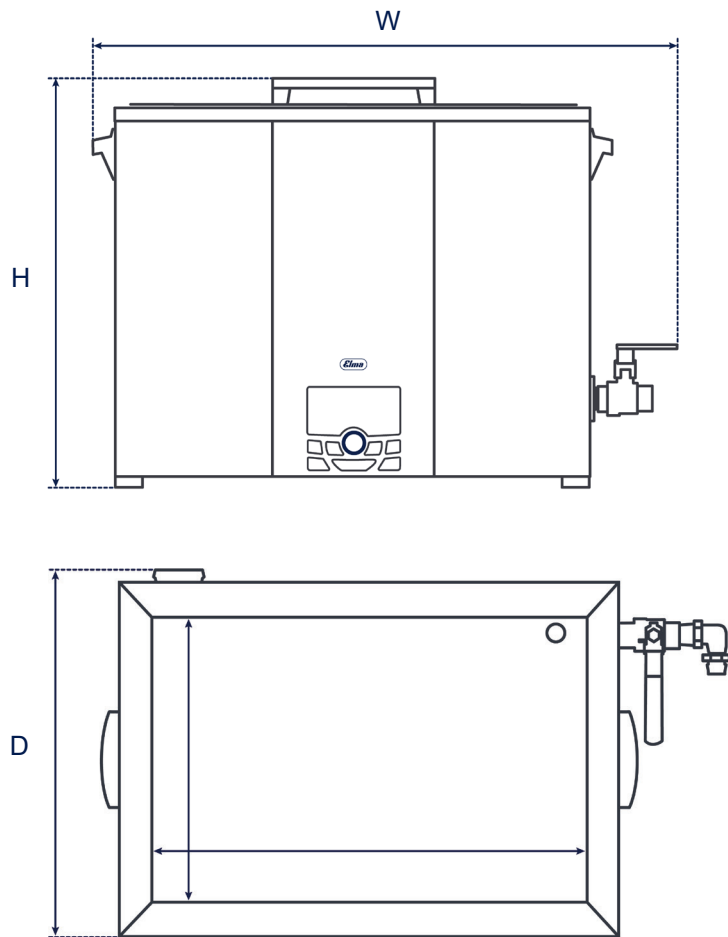
Technical specifications serve as orientation values and are subject to tolerances due to production and manufacturing. Proper operation can only be guaranteed when using original Elma accessories.

## Elmasonic Select

### Dimension definition

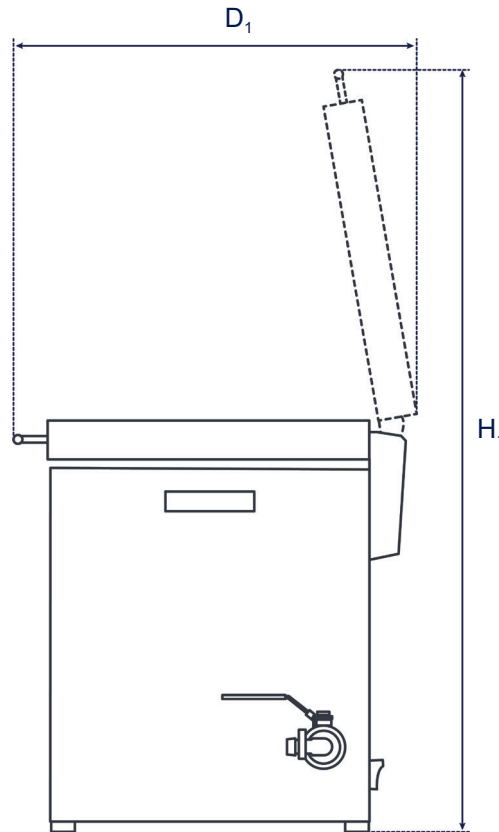
#### Unit outer dimensions

Elmasonic Select 500 / 900



#### Unit outer dimensions

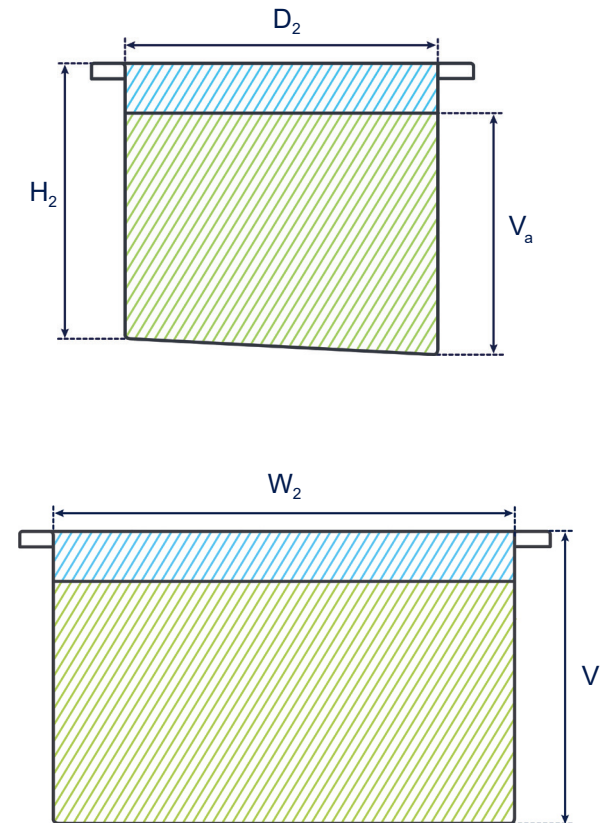
Elmasonic Select 500 and 900 with noise protection cover



#### Tank internal dimensions

Elmasonic Select 500 / 900

$V_a$ : recommended operating capacity of the cleaning tank  
(The actual operating capacity depends on the load.)



The drawings are merely included as a visualization aid and are not true to scale.

Technical specifications serve as orientation values and are subject to tolerances due to production and manufacturing. Proper operation can only be guaranteed when using original Elma accessories.